

Technaxx[®] * User Manual

Nightvision Camcorder TX-141

The Declaration of Conformity for this device is under the Internet link: www.technaxx.de/ (in bottom bar “Konformitätserklärung”). Before using the device the first time, please read the user manual carefully.

Service phone No. for technical support: 01805 012643 (14 cent/minute from German fixed-line and 42 cent/minute from mobile networks). Free
Email: support@technaxx.de

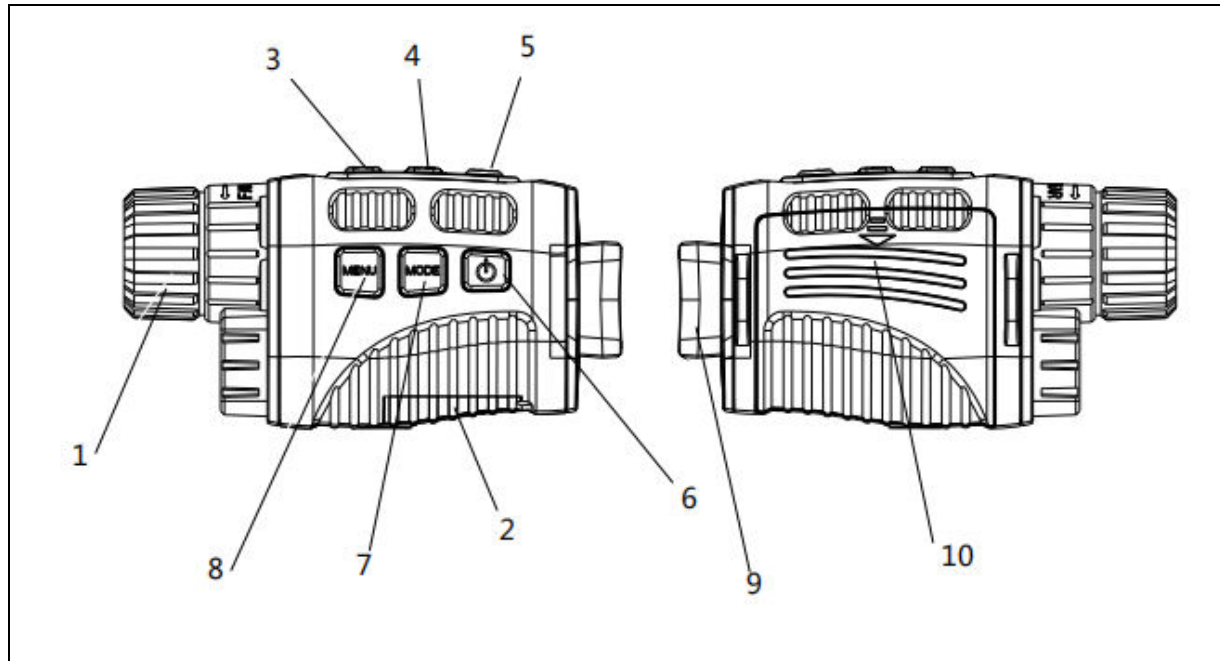
Keep this user manual for future reference or product sharing carefully. Do the same with the original accessories for this product. In case of warranty, please contact the dealer or the store where you bought this product. Warranty 2 years

Enjoy your product. *Share your experience and opinion on one of the well-known internet portals.

Features

- IR-viewer for dark environments
- Built-in display
- HD resolution
- Photo and video mode
- Digital magnification of 4 times
- Viewing distance in full darkness of up to 300m
- MicroSD card support up to 32GB

Product overview



1	Lens with manual focus	6	Power Button
2	USB port/Micro SD card slot cover	7	Mode Button
3	IR Up/Zoom in/Up Button	8	Menu Button
4	IR Down/Zoom out/Down Button	9	Display Screen
5	Shot / Enter	10	Battery Cover

Specifications

Image Size	1M(1280x960) / VGA (640x480)	
Video Size	960P(1280x960@30FPS) / 640(640x480@30FPS)	
Aperture	F 1.2 f=25mm	
Lens Angle	FOV=10°, diameter is 24mm	
Display Screen	Inner screen 1.5" (480*240) TFT	
Digital Zoom	4 times	
Storage Media	Micro SD card, up to 32GB	
Viewing Distance in all dark	Up to 300M	
Viewing Distance in weak light or day time	3M~infinity	
IR LED	3W,850nm	
USB Port	Micro USB 2.0	
Power Source	7.5V, 5xAA	
Operating Temperature	-2°C to +60°C	
Storage Temperature	-30°C to +70°C	
Dimension	approx.130*49*68mm	
Weight	approx.170g	

Insert or replace batteries

Remove the battery cover on the right side of the device. Slide it gently down to open the compartment. Insert five AA (1.5V LR6) batteries. Observing the correct polarity indication. Close the battery compartment with the battery cover.

Insert MicroSD card




Please prepare a Micro SD card (up to 32GB) in advance. Open the card slot cover. Insert the Micro SD card into the slot (2). Make sure the direction is right. Never insert the card forcibly. Format the Micro SD card, this can improve the battery life and shutter speed. To remove the card from the memory card slot of the device, press the edge of the memory card in gently, the card will pop out. Then remove the card.

Starting up

Keep pressing the power button (6) for 3 seconds to turn on the device. Keep pressing the power button (6) for 3 seconds again to turn off the device.

Changing the modes

The night version has 3 different modes: photo mode, video mode and playback mode. Press the mode button (7) to change modes.

	Photo Mode	For taking still photos
	Video Mode	For recording video
	Playback Mode	For playing the recorded files

Taking pictures

1. Turn on the device, the default is photo mode. If not, press the mode button (7) to switch to photo mode.
2. Zooming:
Keep pressing the \oplus or \ominus button (3 / 4) to zoom in or zoom out. The value of magnification level appears on the LCD screen.
3. Take a still photo.
 - View your subject via the LCD screen.
 - Press the shot button (5) to take a photo.

Recording video

1. Turn on the device, press the mode button (7) to switch to video mode.
2. Zooming:
Keep pressing the ⊕ or ⊖ button (3 / 4) to zoom in or zoom out the image. The value of magnification level appears on the LCD screen.
3. Start to record video.
 - View your subject via the LCD screen.
 - Press the shot button (5) to start to record. The record duration will be shown on the LCD screen.
4. Finish recording.
 - Press the shot button again to stop recording.
 - The device will stop recording automatically once capacity of the memory card is full.

Note: If you are too close or too far from the target, the quality of the photos or videos will not be optimal. Rotate the lens to the left or the right to focus the observation object. There is no sound in the video files. Because the observation distance is far, the sound cannot be transmitted.

IR – LED (Night vision function)

In photo/video mode, if you have to view the darkness environment, please short press IR UP button to activate the IR LED, the image will change to black and white. The IR LED have seven levels, short press IR UP button to up the level, short press IR DOWN button to down the level.

Note: If the battery voltage is not enough, the IR LED level will down automatically. IR level can up to 7 levels when the battery power is full. If only left half power, the level just can up to 5. If only left 25% power, the level just can up to 3. If the battery power is lower than 25%, IR LED cannot be activated.

Settings in photo and video mode

Press menu button in photo or video mode to change the settings.

Menu	Function
Photo Resolution	Set the photo resolution to 1M 1280x960 or VGA 640x480
Video Size	Set the video resolution to 960 1280x960 or VGA 640x480
Night vision sensitivity	Choose the night vision sensitivity
Power Frequency	Set the light source frequency to prevent interference 50Hz or 60Hz
Power Save	Set the time to shut down the device 3min / 5min / 10min / OFF
Date & Time	Set the date and time of device
Date Stamp	Add the date stamp on the photo or video files Off / Date / Date & Time
Language	Set menu language.
Format	Format your SD card. It will delete all files including the protected files
Reset All	Restore the setup to factory default
FW Version	User can see the firmware version information.

Playback

1. Turn on the device, press the mode button to switch to playback mode.
2. Press Up/Down button to view photos and video files.
3. Playback the video
 - Press the shot button to start playing the video files.
 - Press the shot button again to have a pause.
 - Press menu button to stop the current video playing.

Press menu button in playback mode, the screen will display the playback menu. Press Up/Down button to scan lock or delete. And press shot button to select one to enter the submenu.

Download files to PC

There are two ways to download files from the device to a computer:

- By inserting the memory card into a card reader.
- By connecting the device to a computer using the supplied USB cable.

Using a Card Reader

1. Eject the memory card from the device and insert it into a card reader. Then connect the card reader to a computer.
2. Open [My Computer] or [Windows Explorer] and double-click the removable disk icon that represents the memory card.
3. Copy images from the card into a directory of your choice on the computer's hard disk.

Connecting the device to a PC through the USB cable

1. Turn on the night vision. Connect it to a computer through the supplied USB cable.
2. When connecting to the computer, it will appear "MSDC" on the screen.
3. Open [My Computer] or [Windows Explorer]. A "Removable Disk" appears in the drive list. Double-click the "Removable Disk" icon to view its contents. Files stored on the camera are located in the folder named "DCIM".
4. Copy the photos or files to your computer.

Care and maintenance

Clean the device only with a dry or slightly damp, lint-free cloth. Do not use abrasive cleaners to clean the device.

This device is a high-precision optical instrument, so in order to avoid damage, please avoid the following practice:

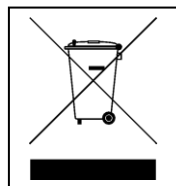
- Use the device in ultra-high or ultra-low temperature.
- Keep it or use it in moist environment for long.
- Use it in rainfalls or in water.
- Deliver or use it in strongly shocking environment.

Hints

- The device is intended exclusively for private and not for commercial use.
- Only use this device as described in this user manual.
- Do not place any part of this device in water or any other liquid.
- Do not handle the device with wet hands.
- When disconnecting the cable, always pull at the plug. Do not pull on the cable itself.
- Prevent it comes into contact with hot surfaces.
- Keep it away from heat sources to avoid deformation of plastic parts.
- Do not put out the memory card during the video recording process. This can damage the video files and the memory card.
- Please remove the battery after use.

Safety Instructions

- Children should only use the device under adult supervision.
- Keep packaging material, like plastic bags and rubber bands, out of the reach of children, as these materials pose a choking hazard.
- Do not place the device, particularly the lenses, in direct sunlight. The concentration of light could damage the device.
- Do not disassemble the device.
- Do not expose the device to high temperatures.
- The device is intended only for private use.
- Please heed the privacy of other people.
- Do not use this device to look into apartments, for example.



Hints for Environment Protection: Packages materials are raw materials and can be recycled. Do not disposal old devices or batteries into the domestic waste. **Cleaning:** Protect the device from contamination and pollution (use a clean drapery). Avoid using rough, coarse-grained materials or solvents/aggressive cleaner. Wipe the cleaned device accurately. **Distributor:** Technaxx Deutschland GmbH & Co.KG, Kruppstr. 105, 60388 Frankfurt a.M., Germany