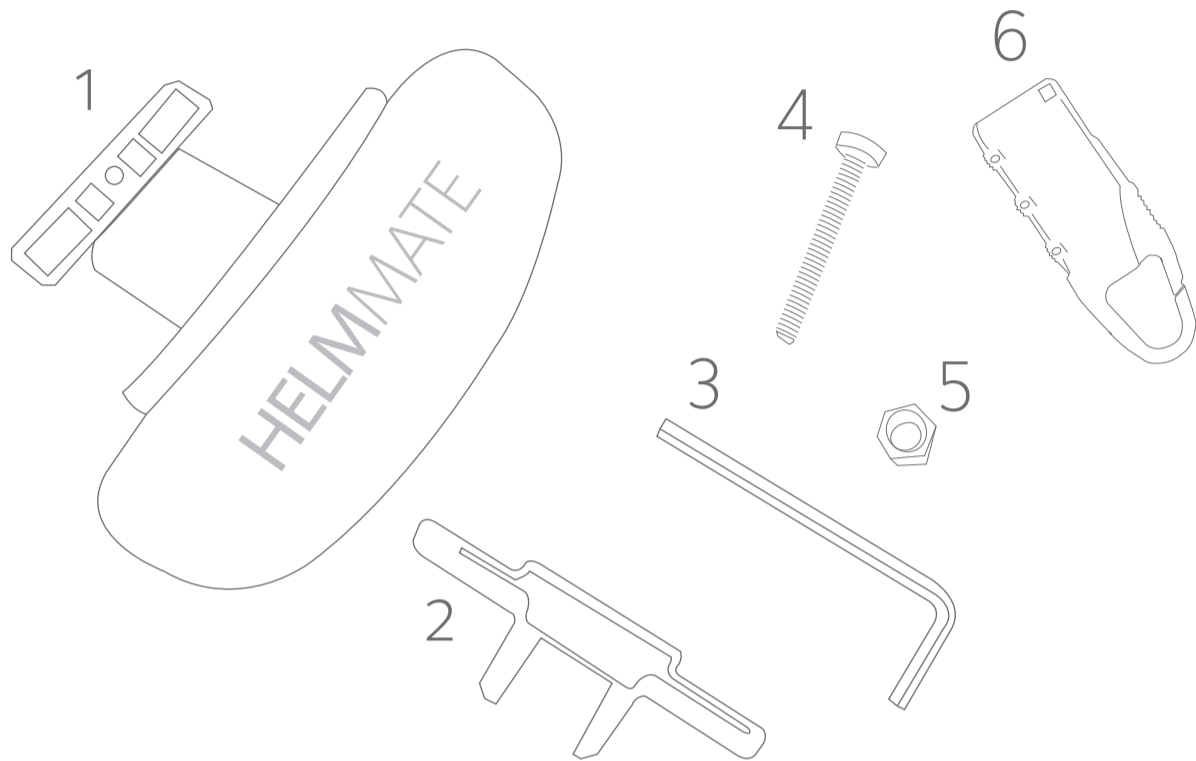
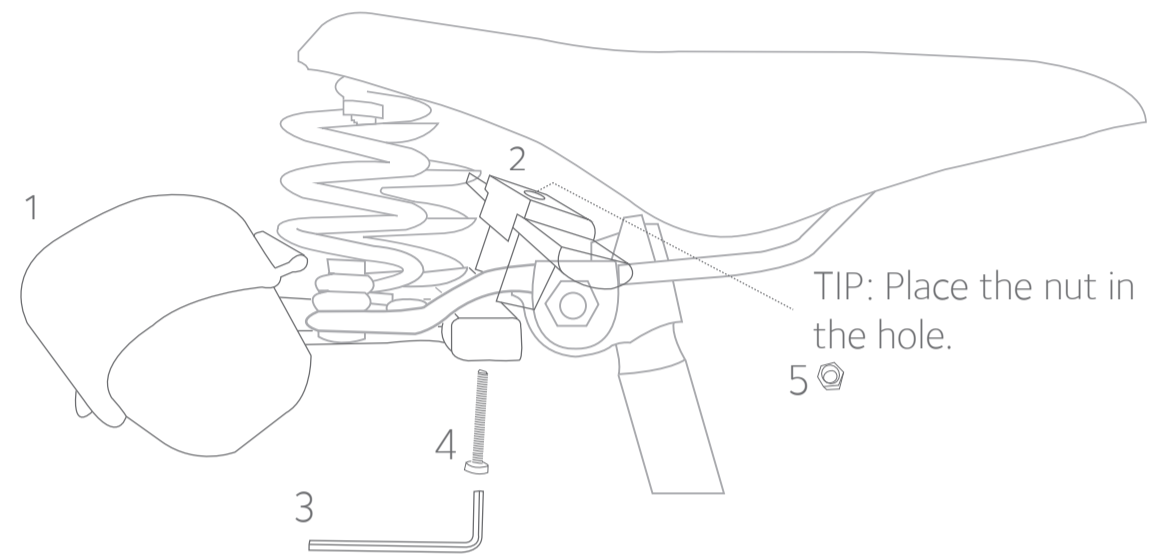


THIS IS HOW YOU MOUNT YOUR HELMMATE

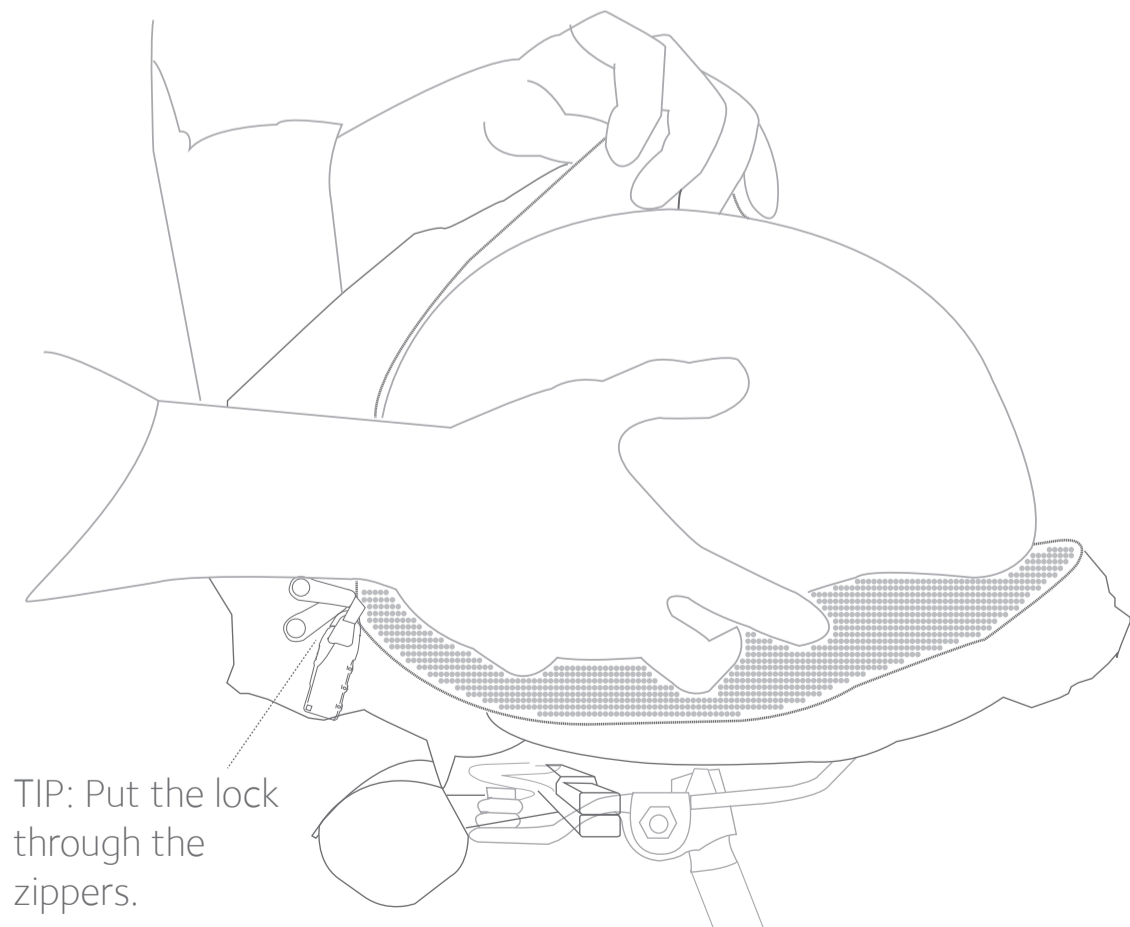
A THE HELMMATE KIT: Unpack all 6 components. Ensure that all parts are there. If anything is missing, please do not hesitate to contact us: mymate@helmmate.com.



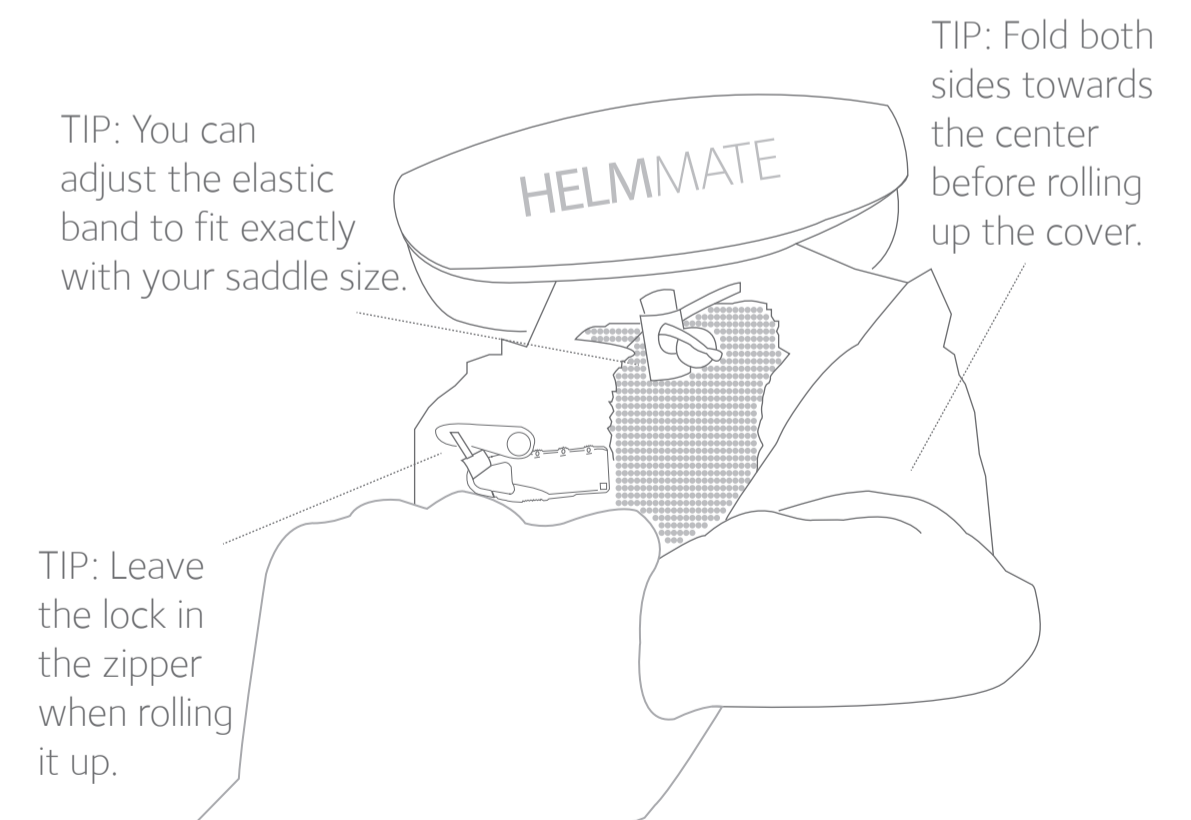
B Your HELMMATE is easily mounted using just one Allen screw.



C Pull the breathable saddle protector over your saddle, place your helmet inside the cover and close with the zipper. Lock your HELMMATE with the enclosed pad lock.



D When your helmet is in use, you roll the cover back into the container.



www.helmmate.com

| On a very limited number of saddles, mounting the HELMMATE can be a bit challenging. You can get help or get a refund where you have bought your it. |