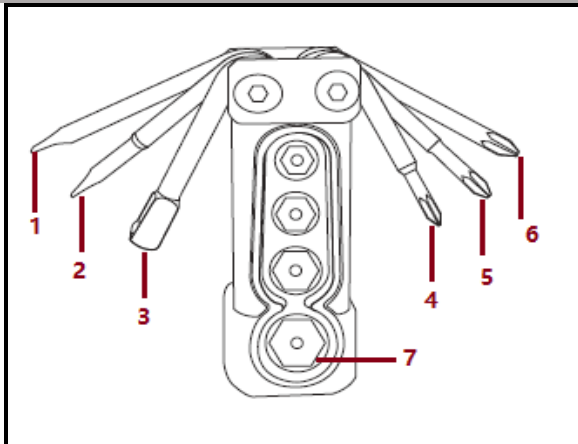


PLEASE READ THE MANUAL BEFORE YOUR FIRST USE. KEEP THIS MANUAL SAFE FOR FUTURE REFERENCE!

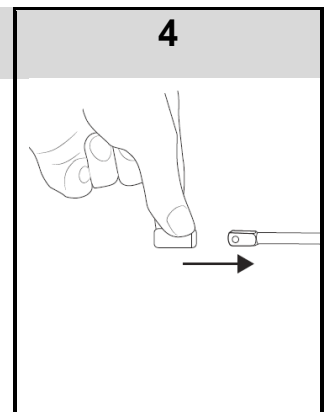
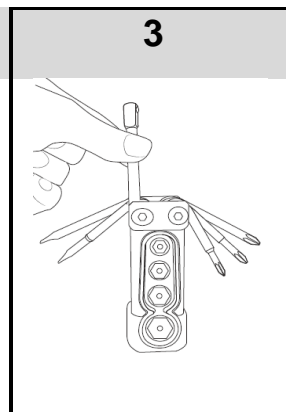
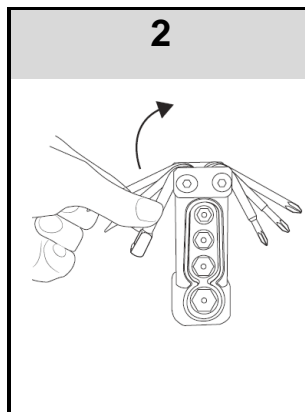
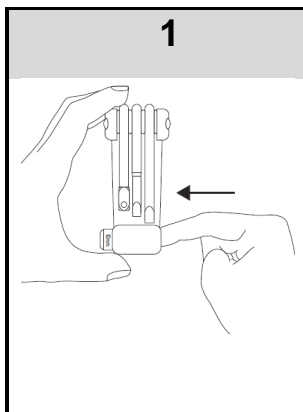
### PRODUCT DESCRIPTION



1. Flat screwdriver 5mm
2. Flat screwdriver 4mm
3. Ratchet socket wrench
4. Philips screwdriver 0 (small)
5. Philips screwdriver 1 (medium)
6. Philips screwdriver 2 (large)
7. Socket (X4: 7mm / 8mm / 9mm / 10mm)

### USE

To install the socket, proceed as below:



Place your finger on the desired socket. Then push in until the bushing comes out.

### SAFETY PRECAUTIONS

1. It is not a toy. Keep out of reach of children.
2. Do not immerse in water.
3. Handle the product with care. Any impact, shock, or fall, even from a low height, may damage the lamp.
4. Keep away from sources of heat, direct sunlight, humidity, water or other liquids.
5. Once the use is complete, make sure to store this tool.

Imported by PRODIS SAS, 1 rue de Rome, 93110 Rosny-sous-Bois, France  
Marketed by EUROTOPS VERSAND GMBH D-40764 LANGENFELD, Germany

Made in PRC