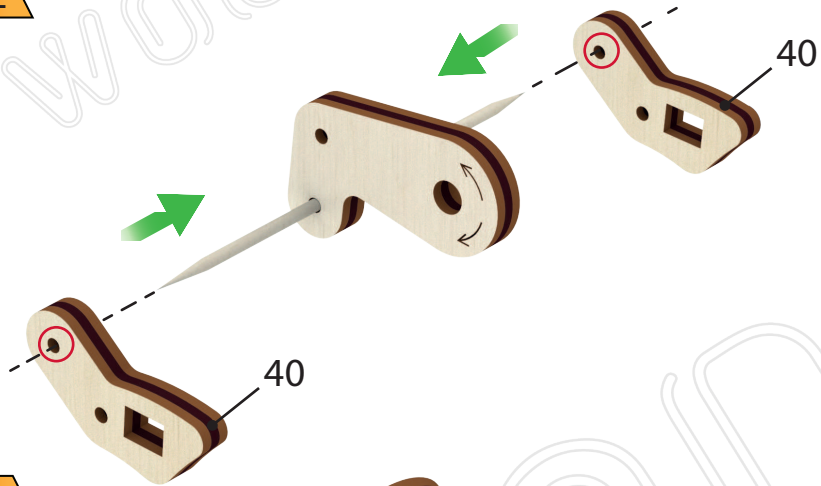


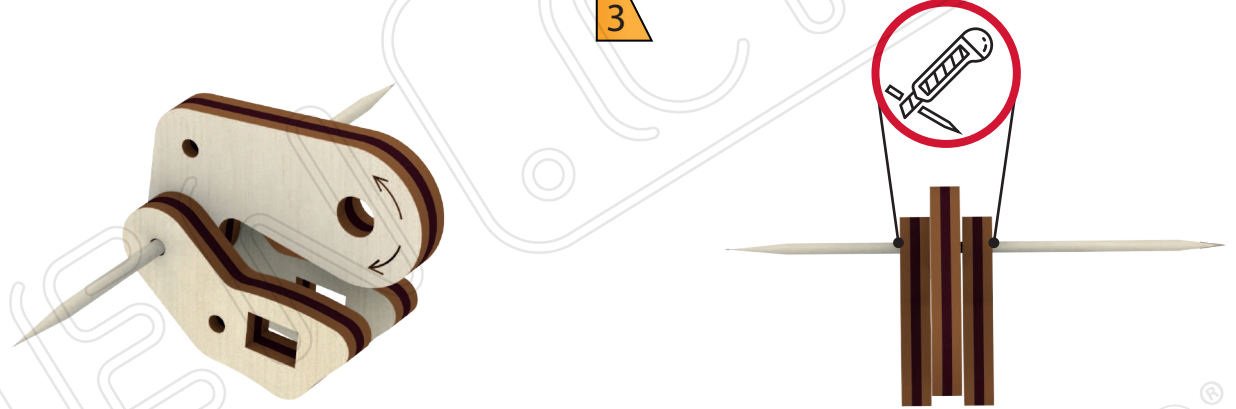
PDF Compressor Free Version



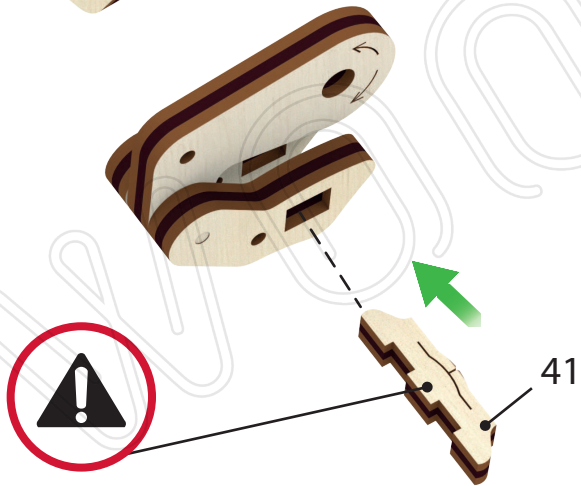
2



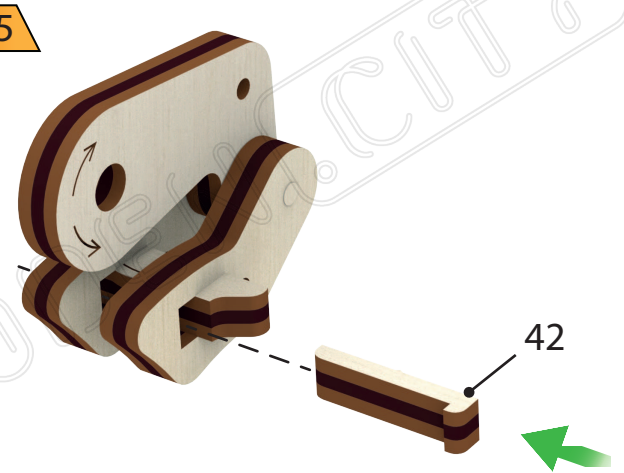
3



4

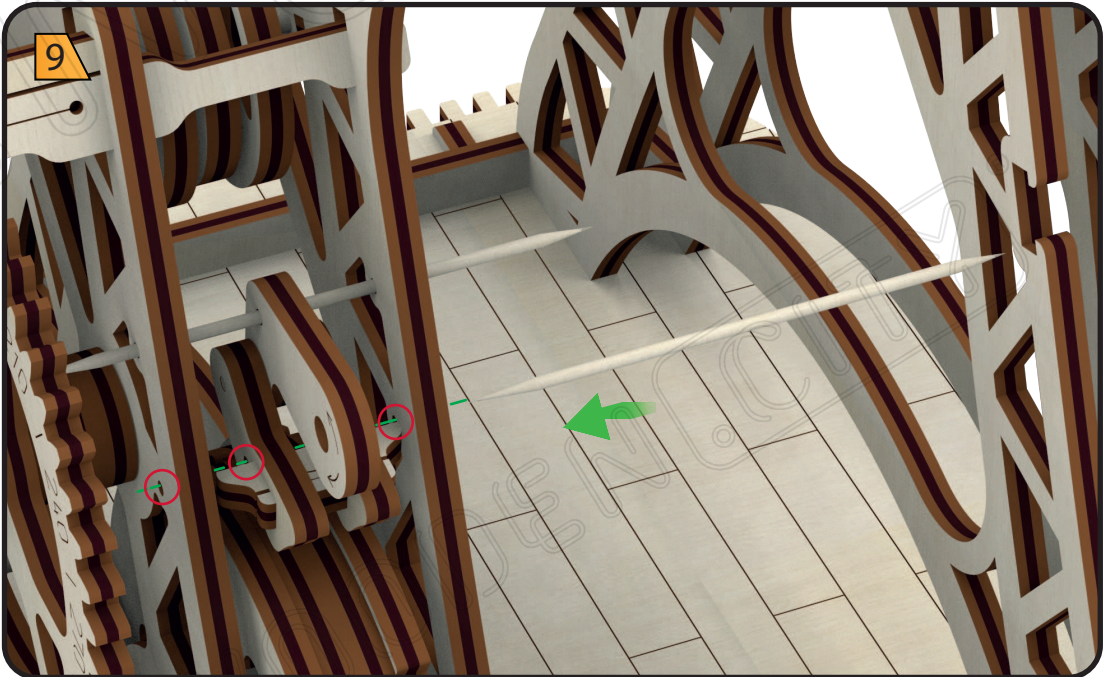
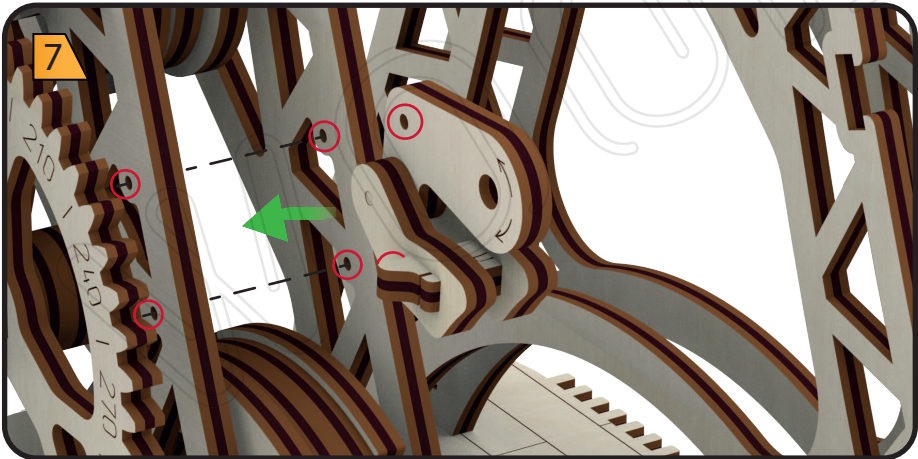
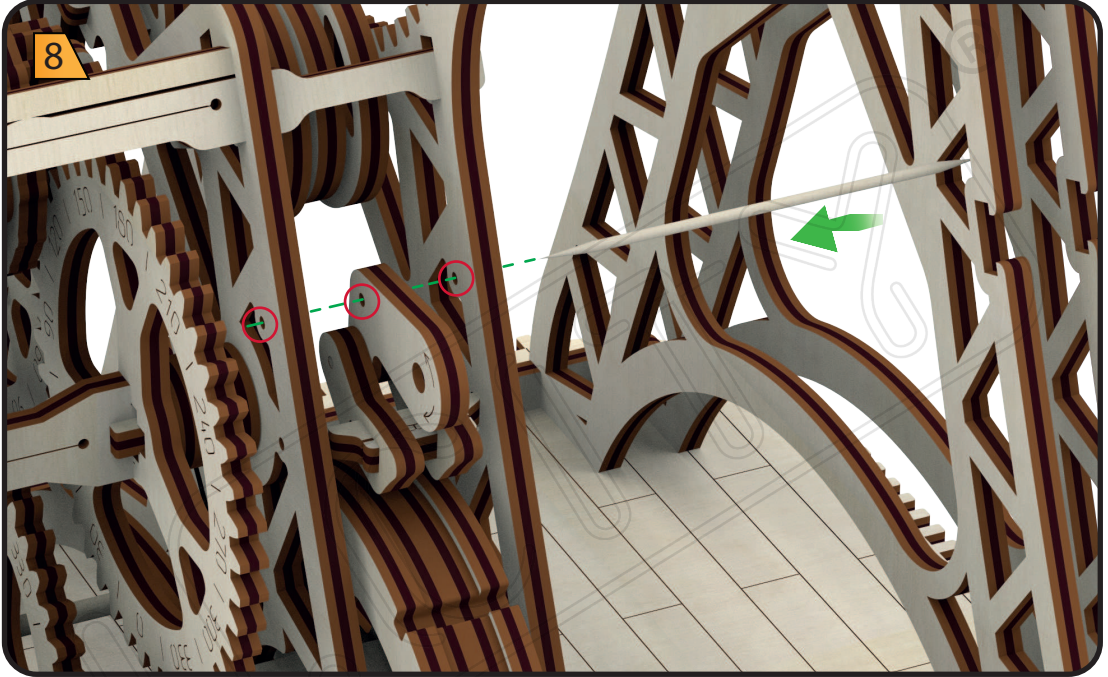
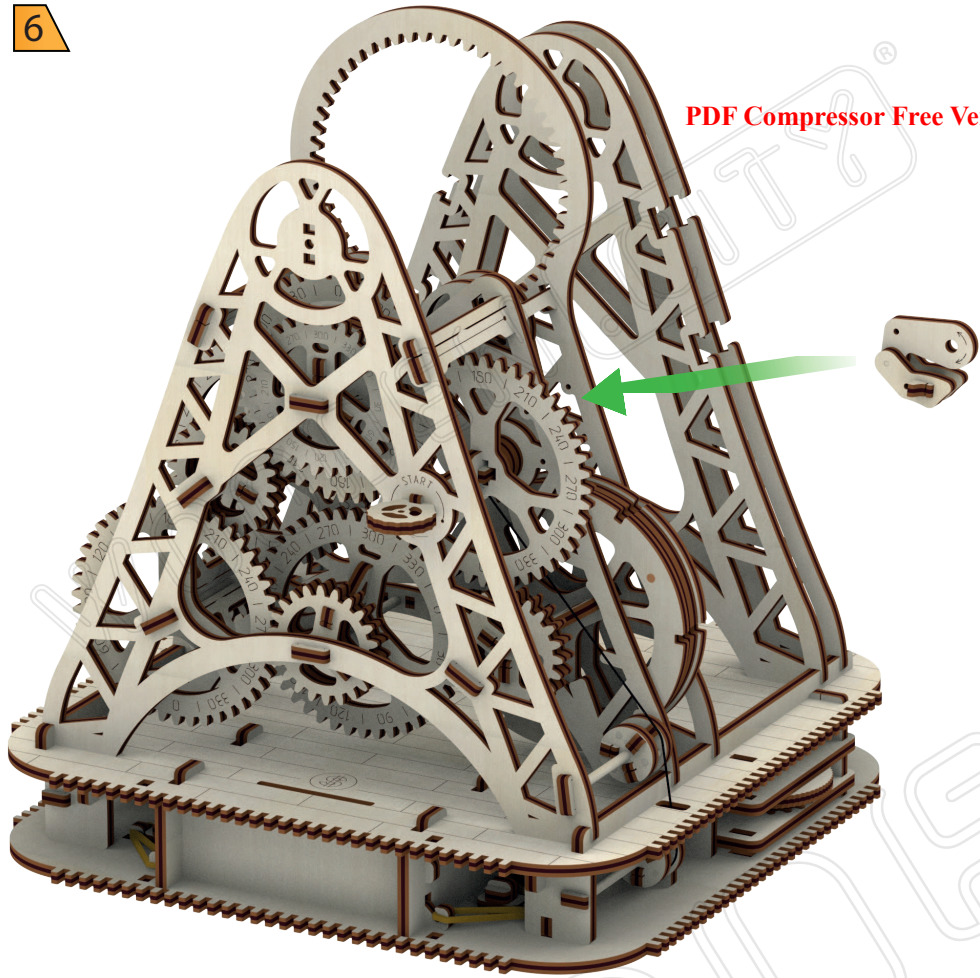


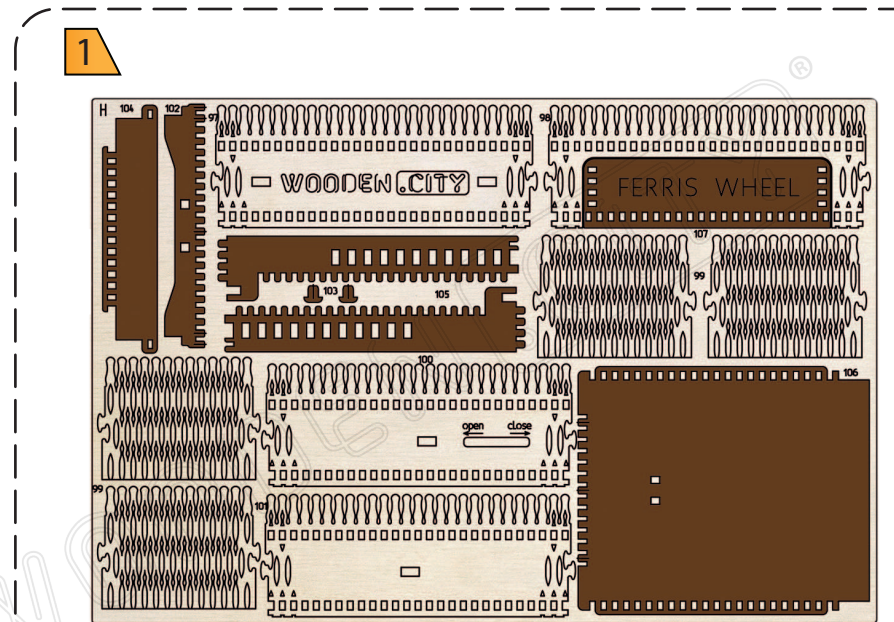
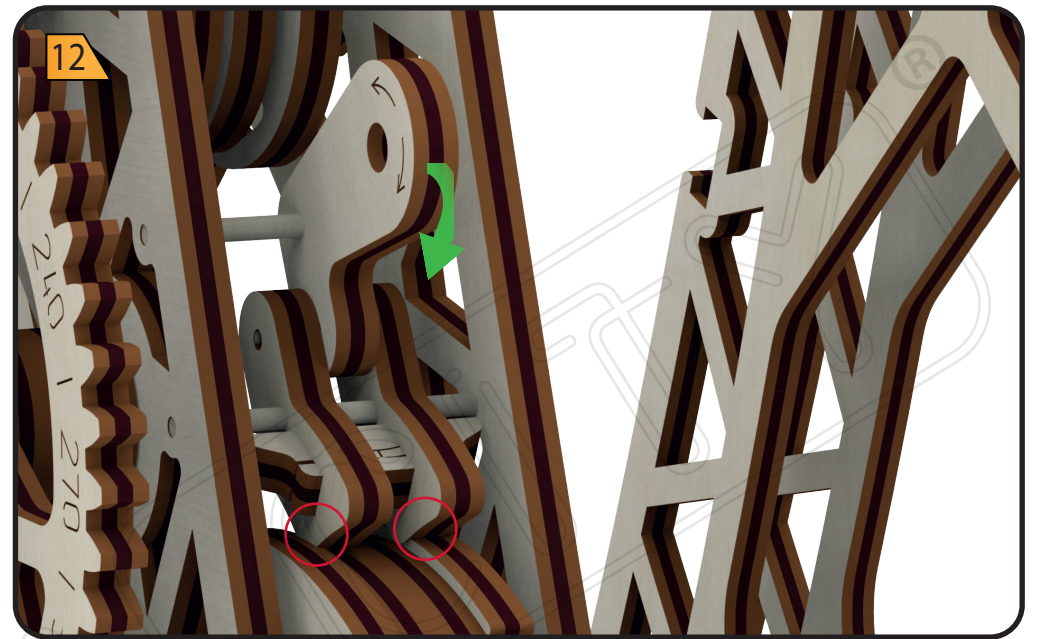
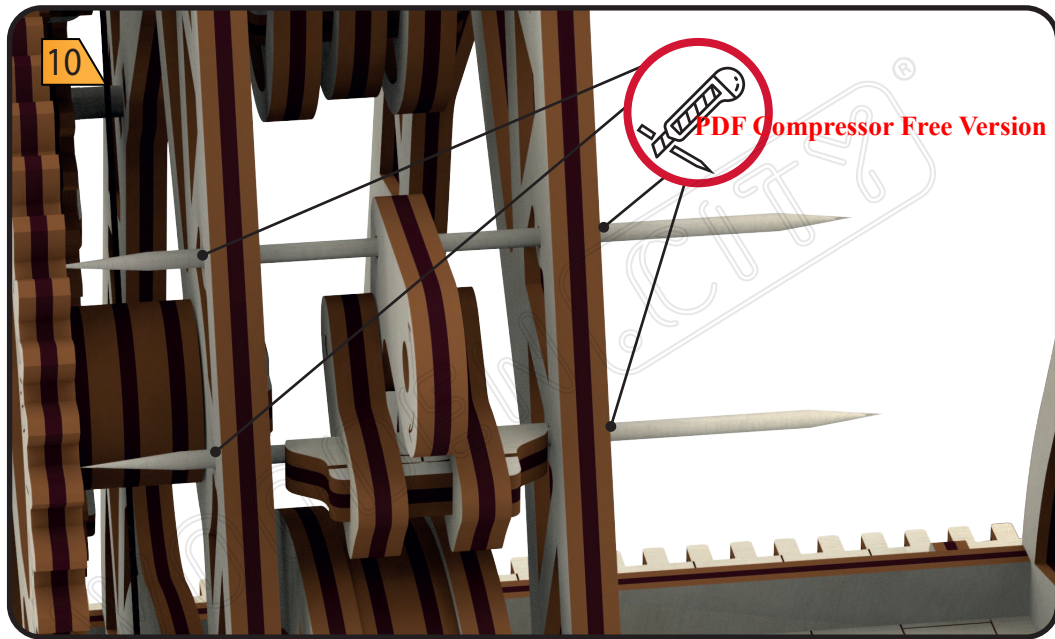
5

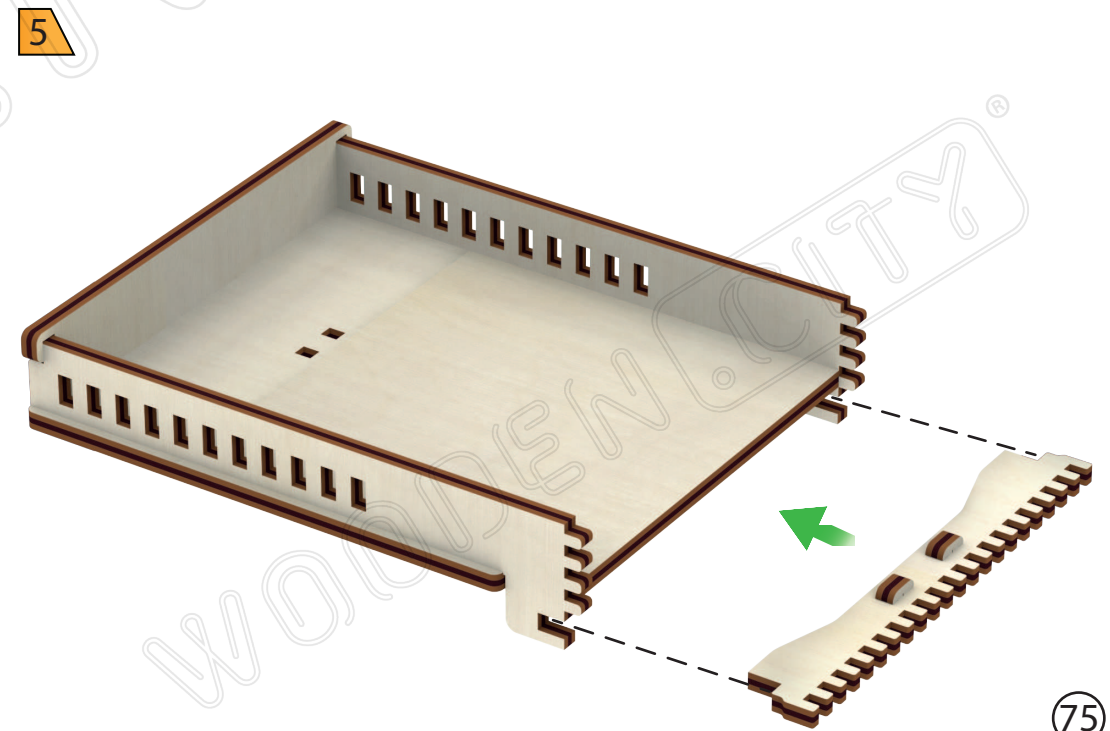
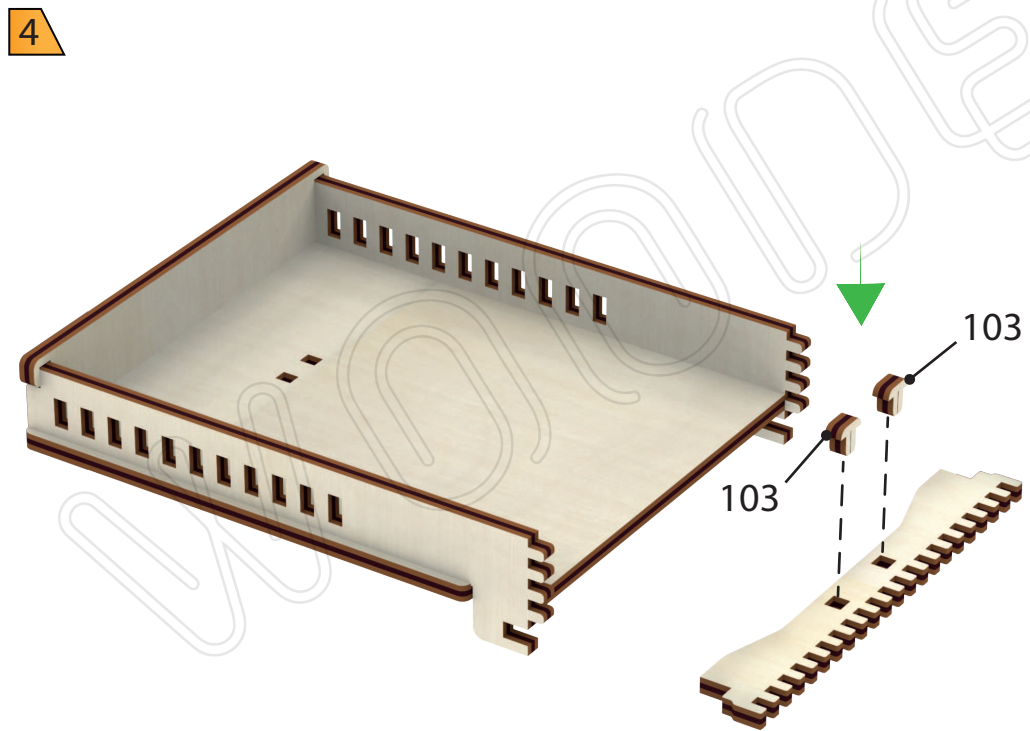
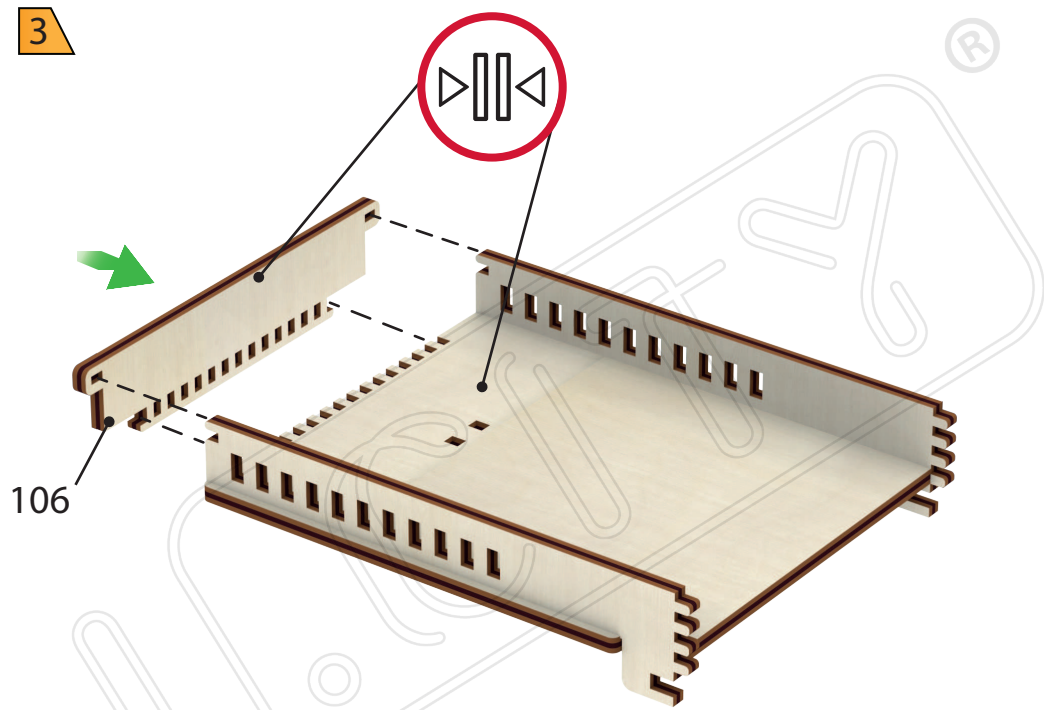
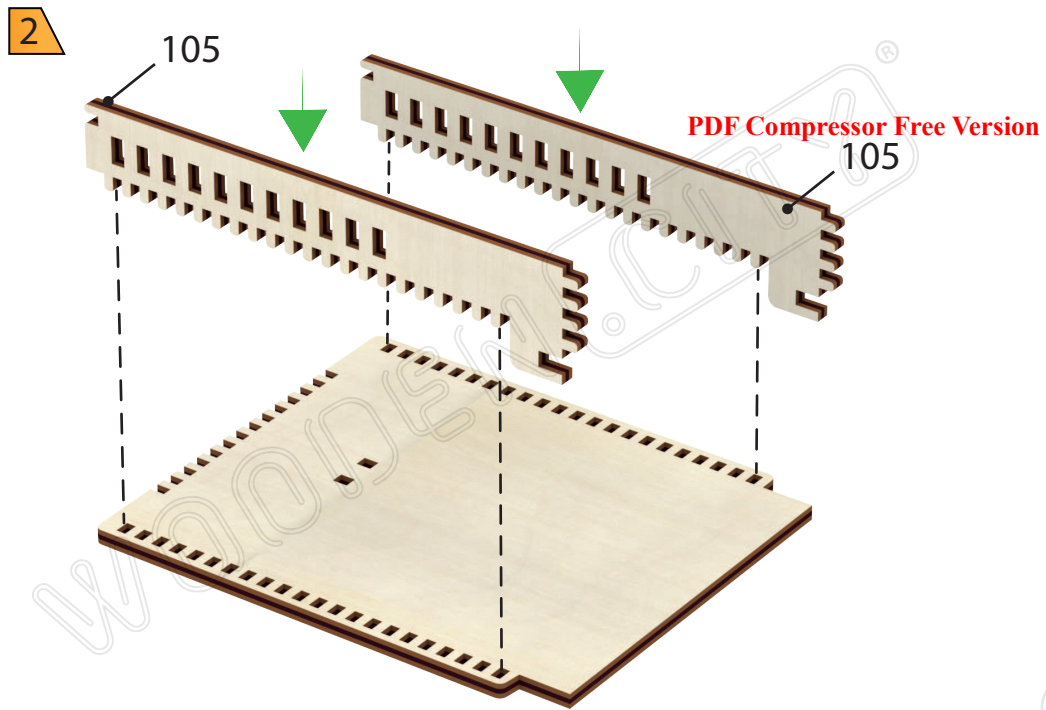


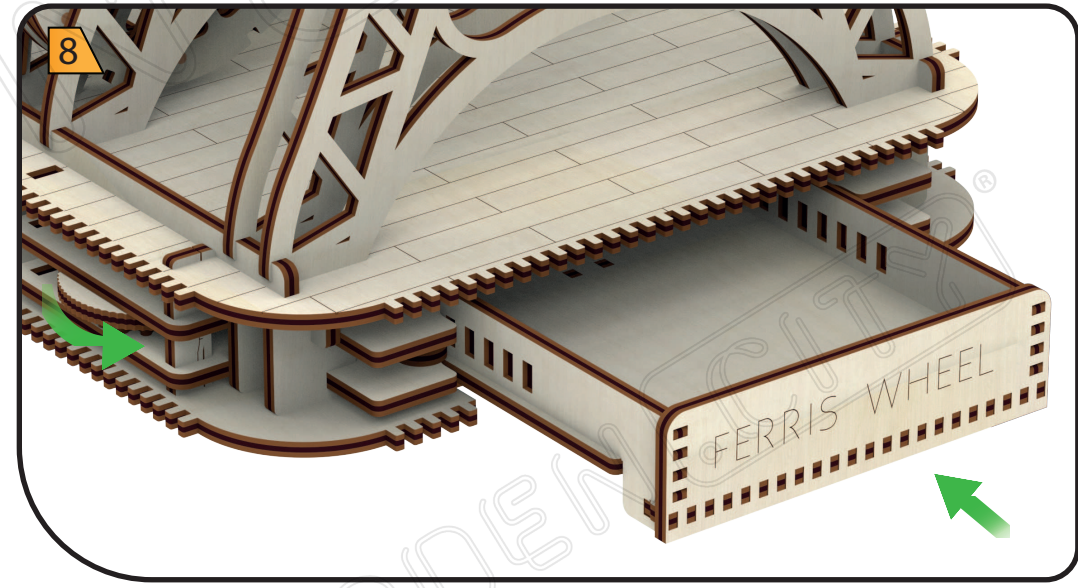
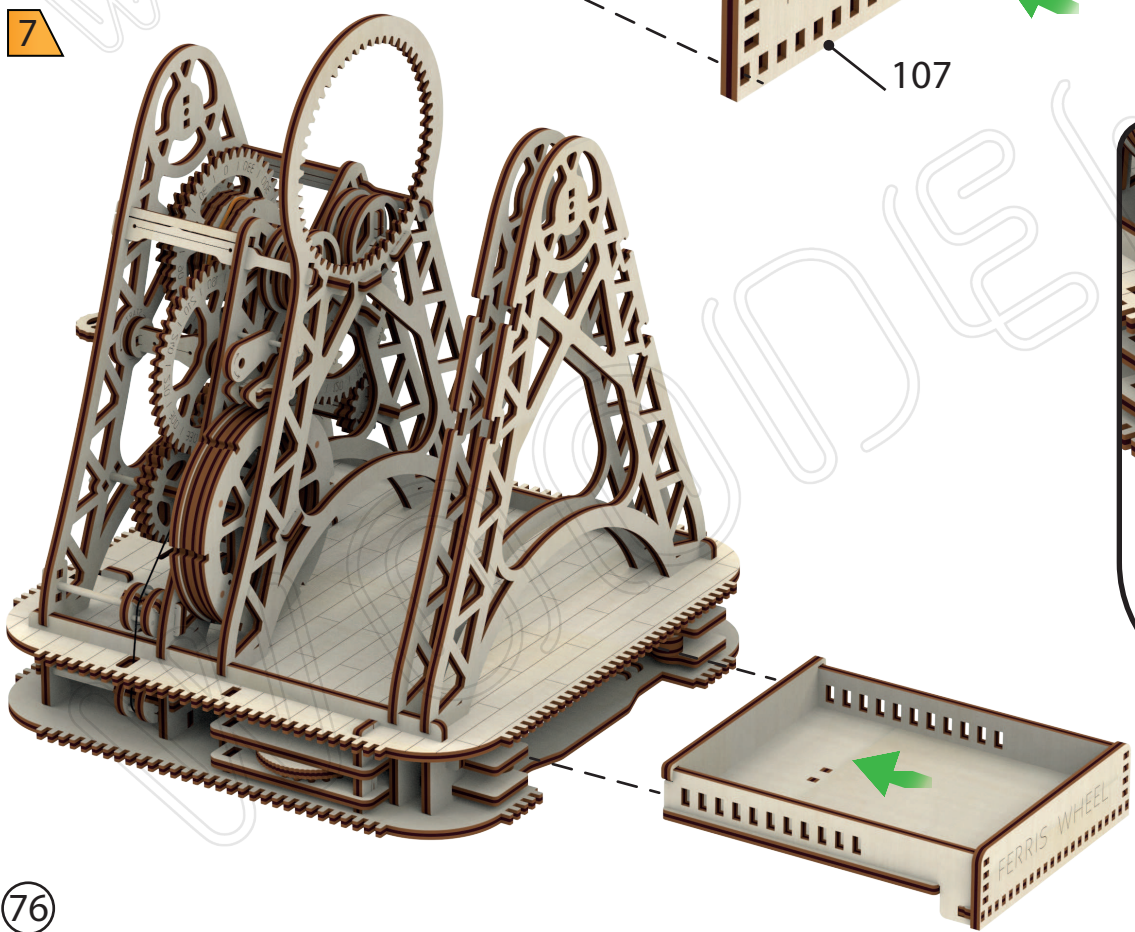
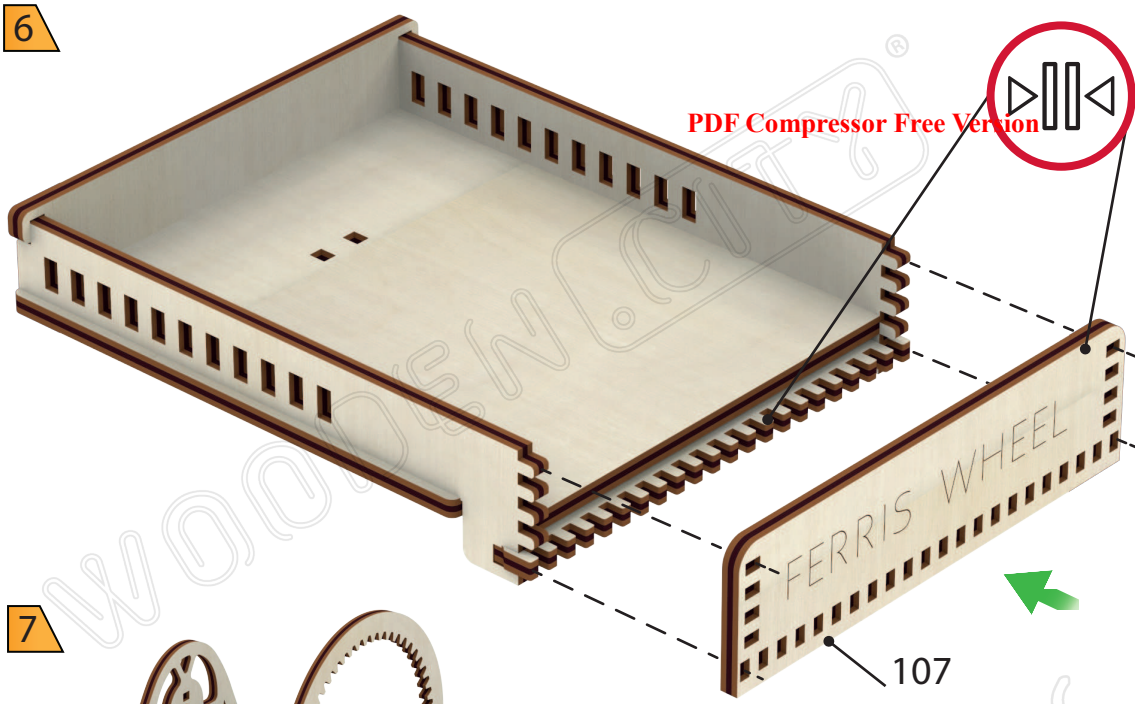
6

PDF Compressor Free Version









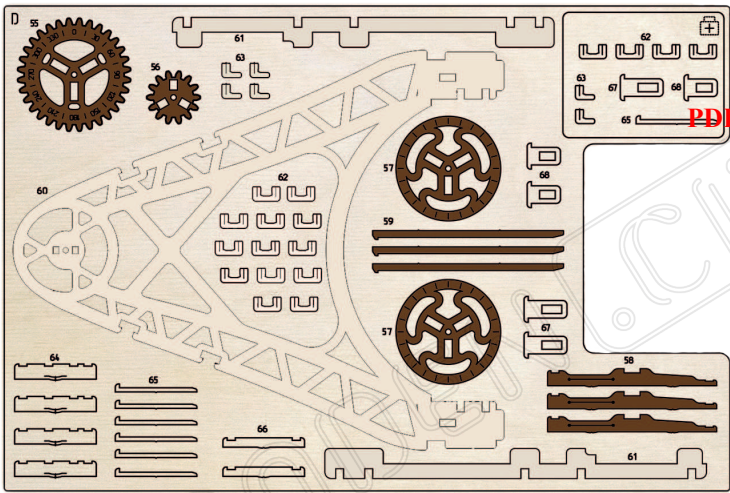
9

PDF Compressor Free Version



10





1

PDF Compressor Free Version

172 mm



56



2



57

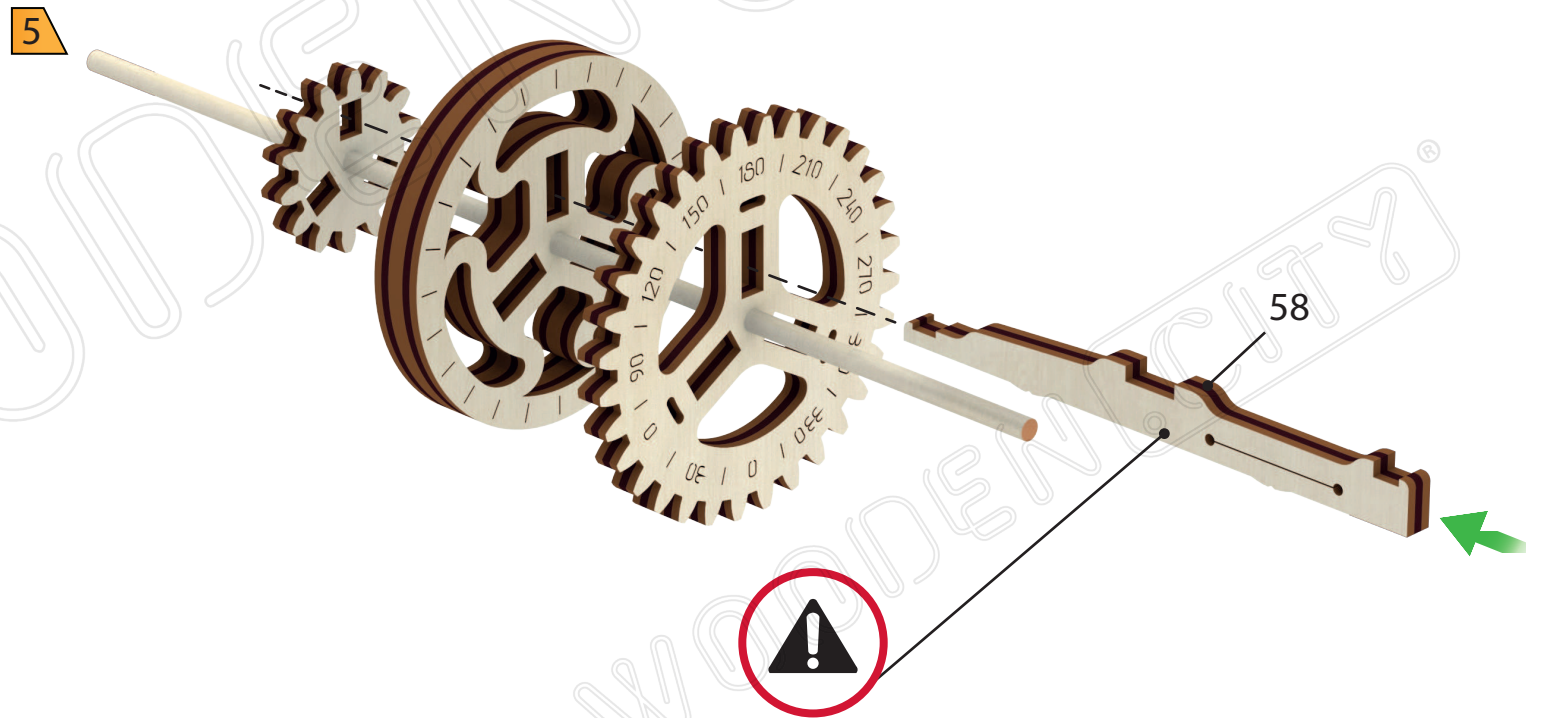
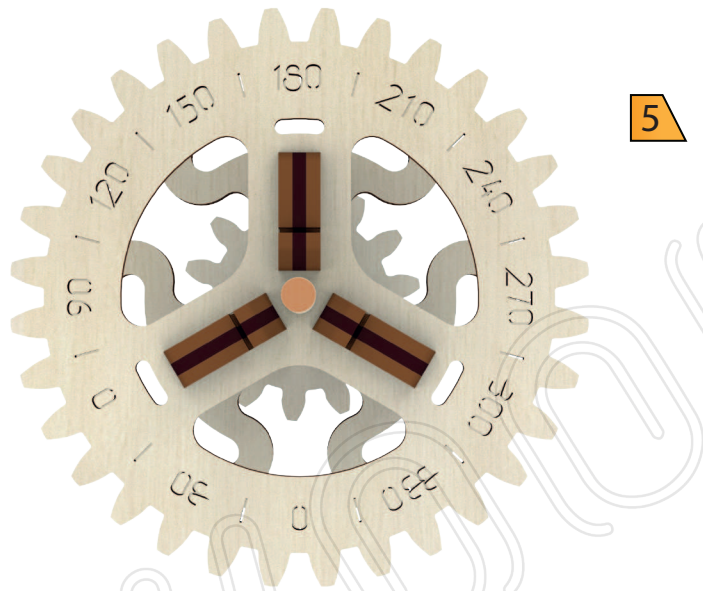
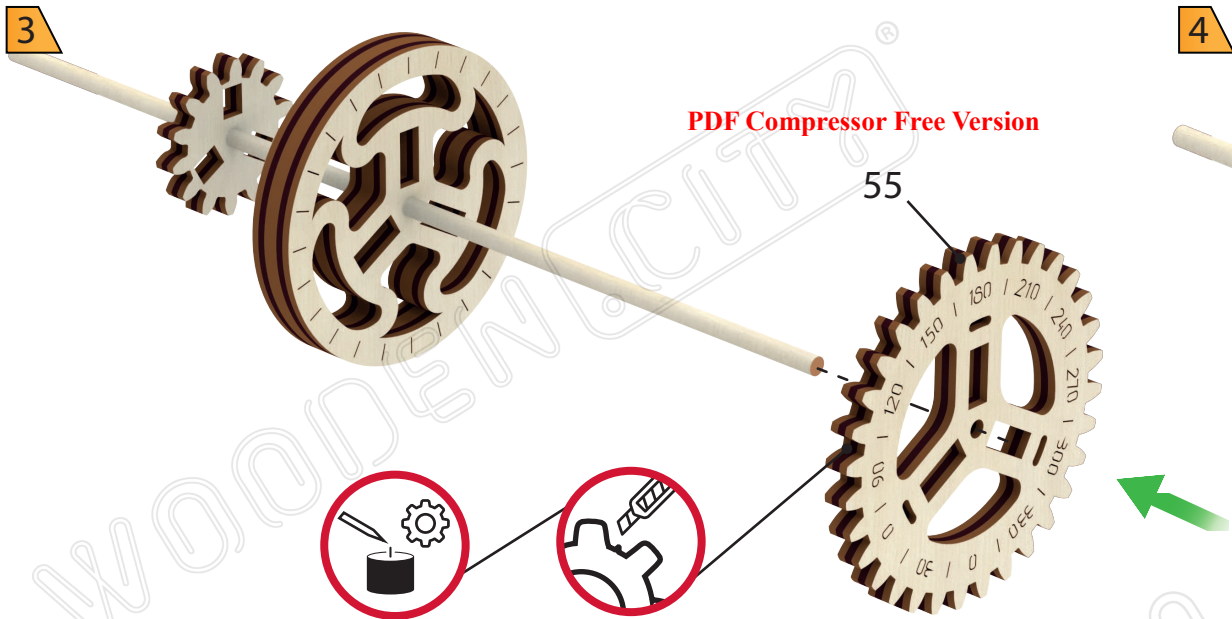
57



(1:1)



172 mm

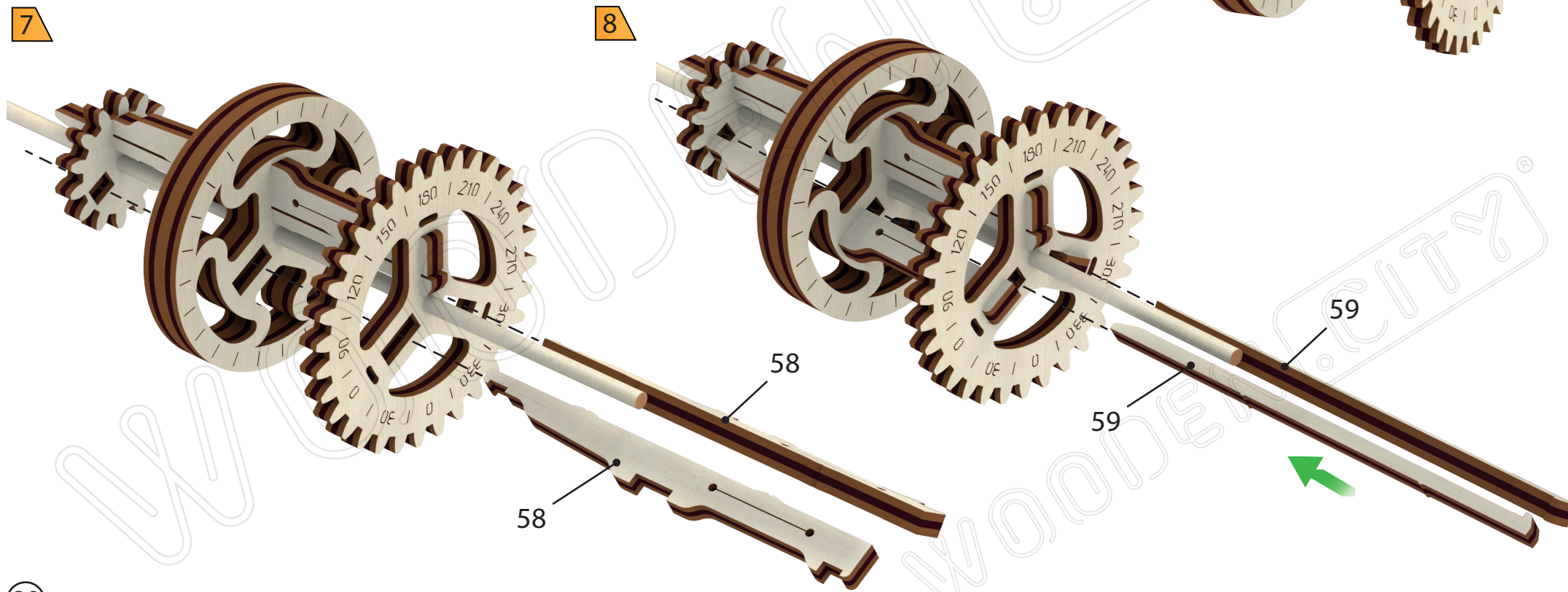




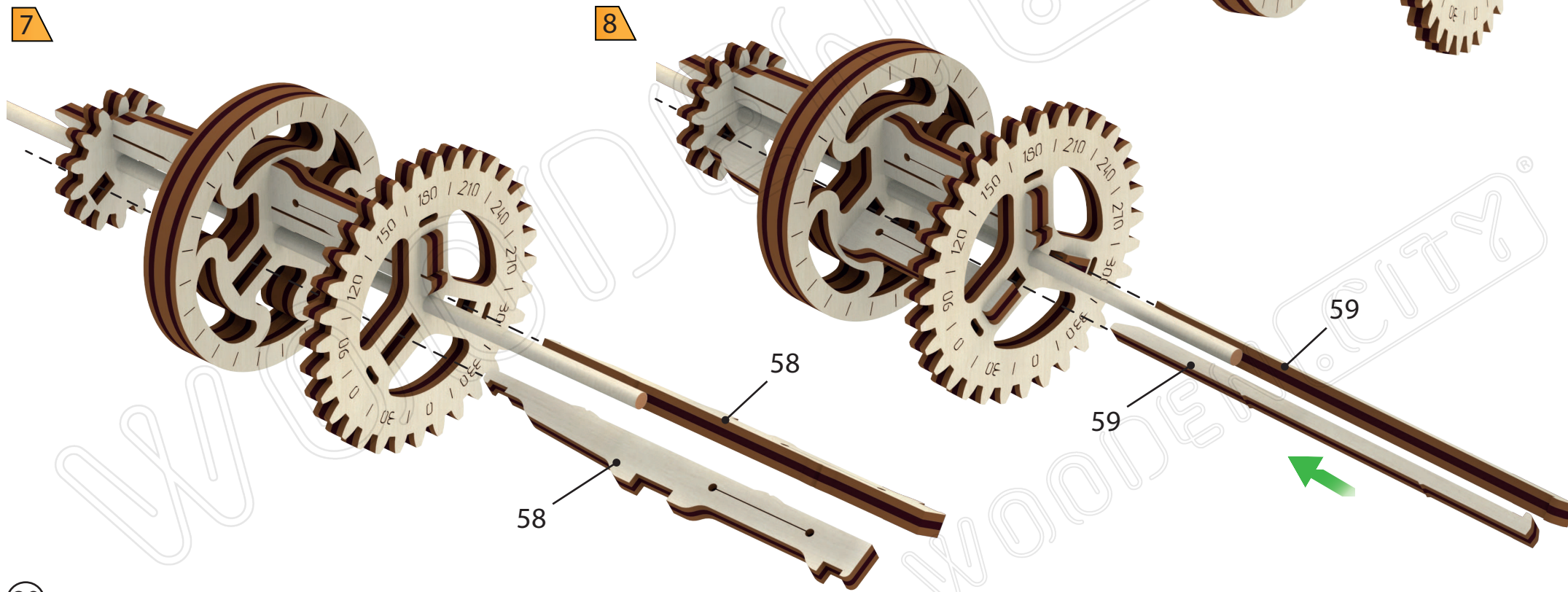
6



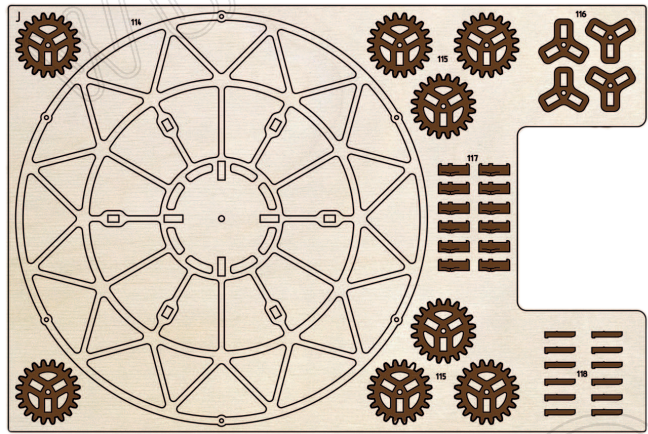
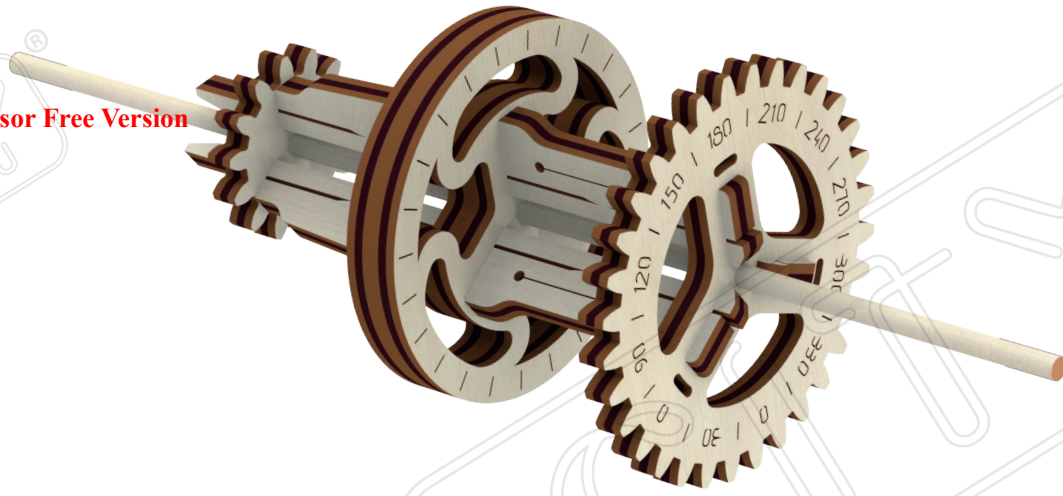
7



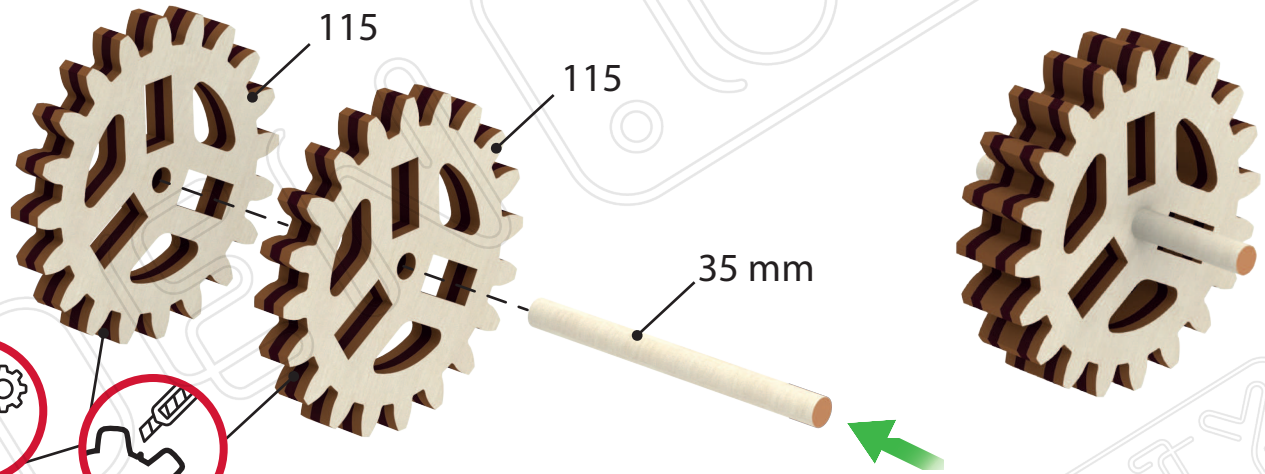
8



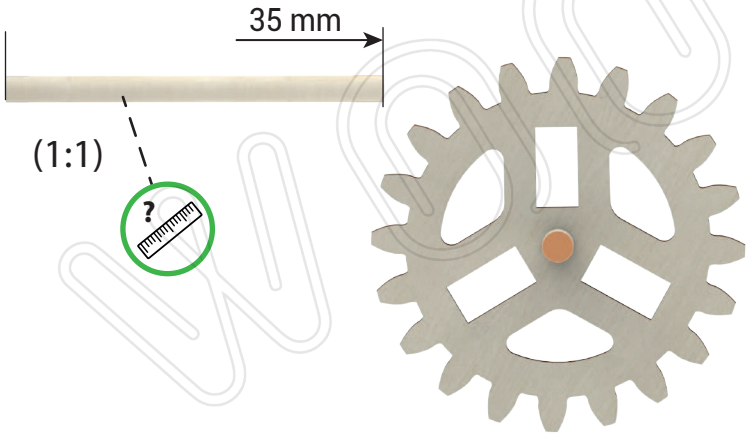
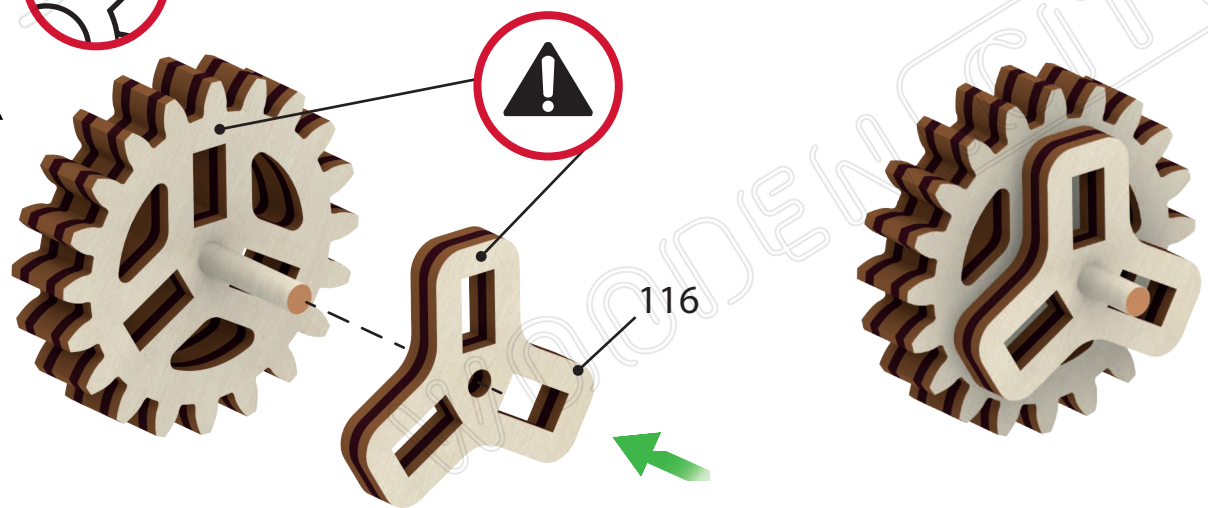
80



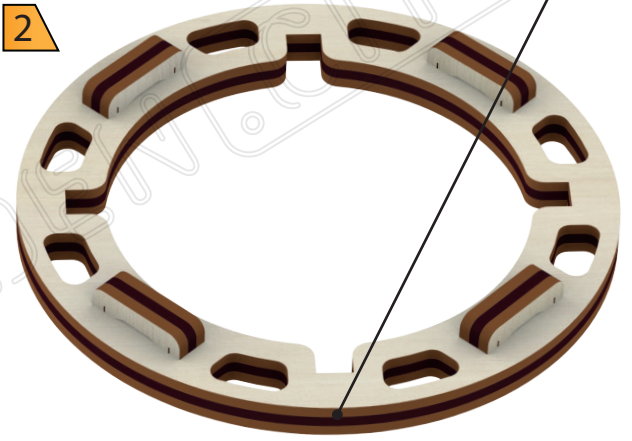
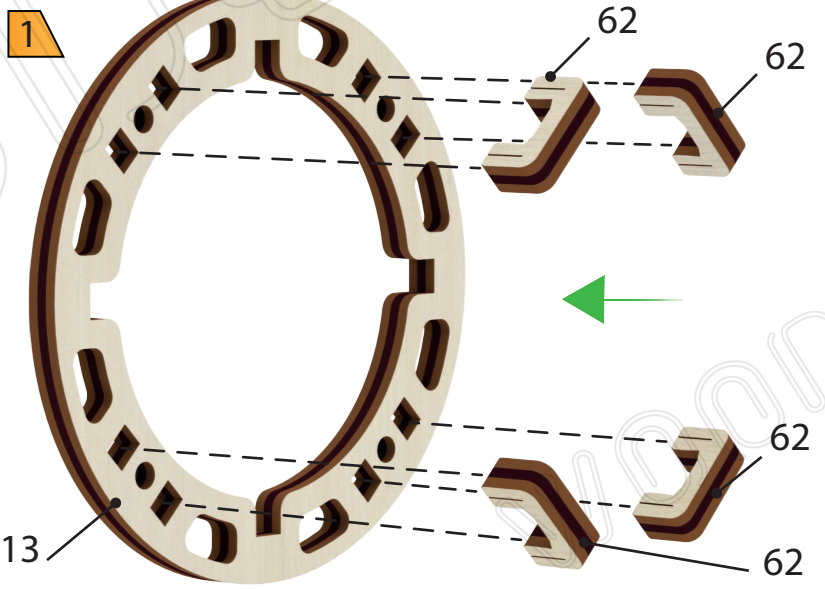
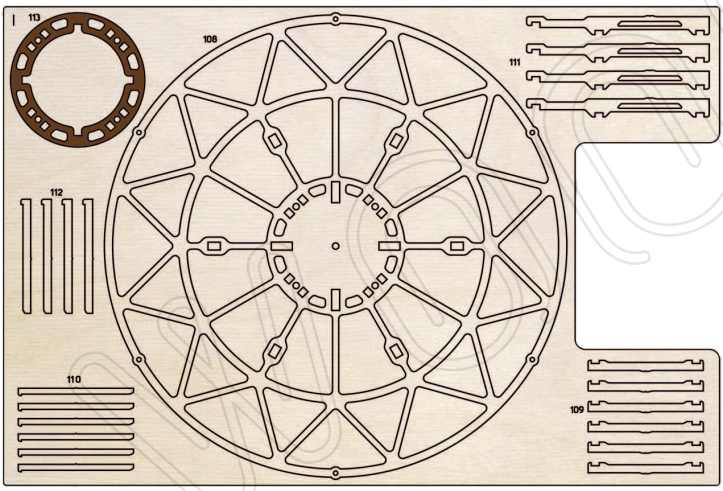
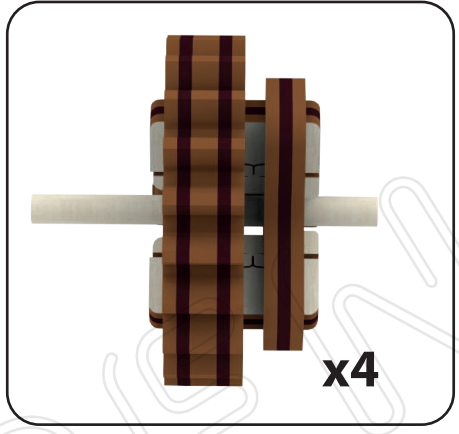
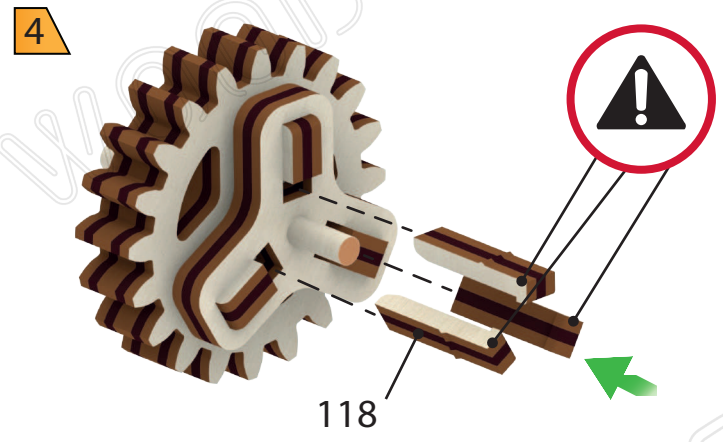
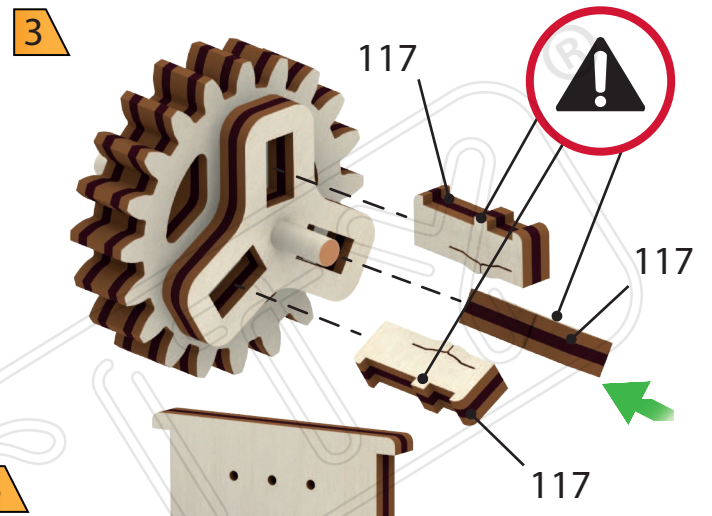
1

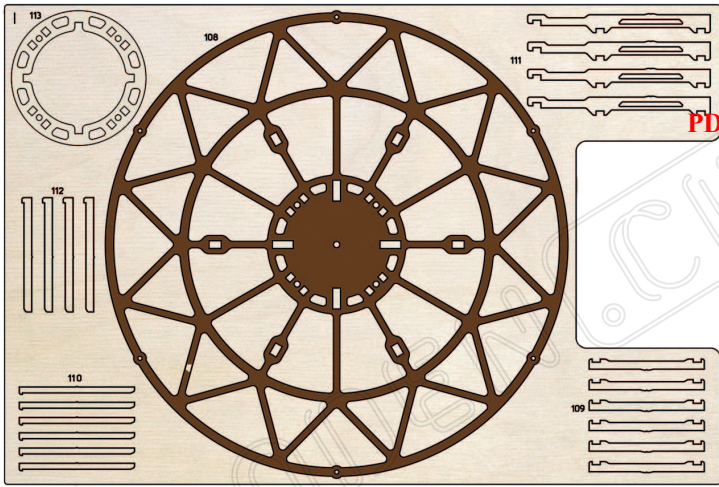


2



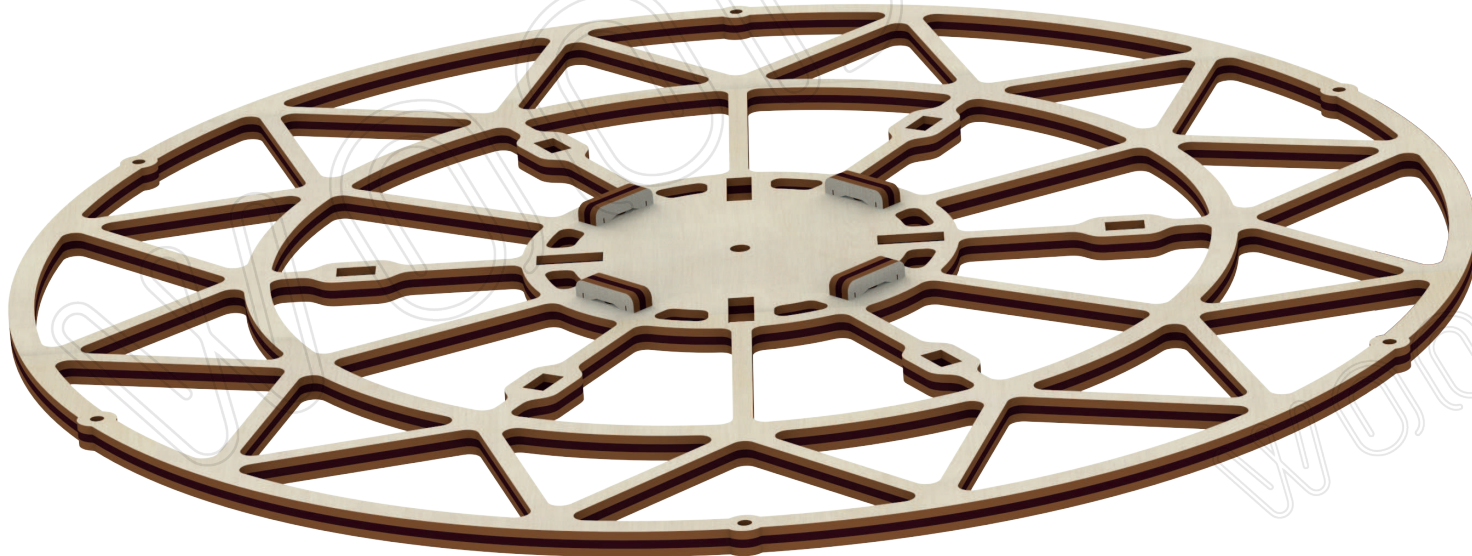
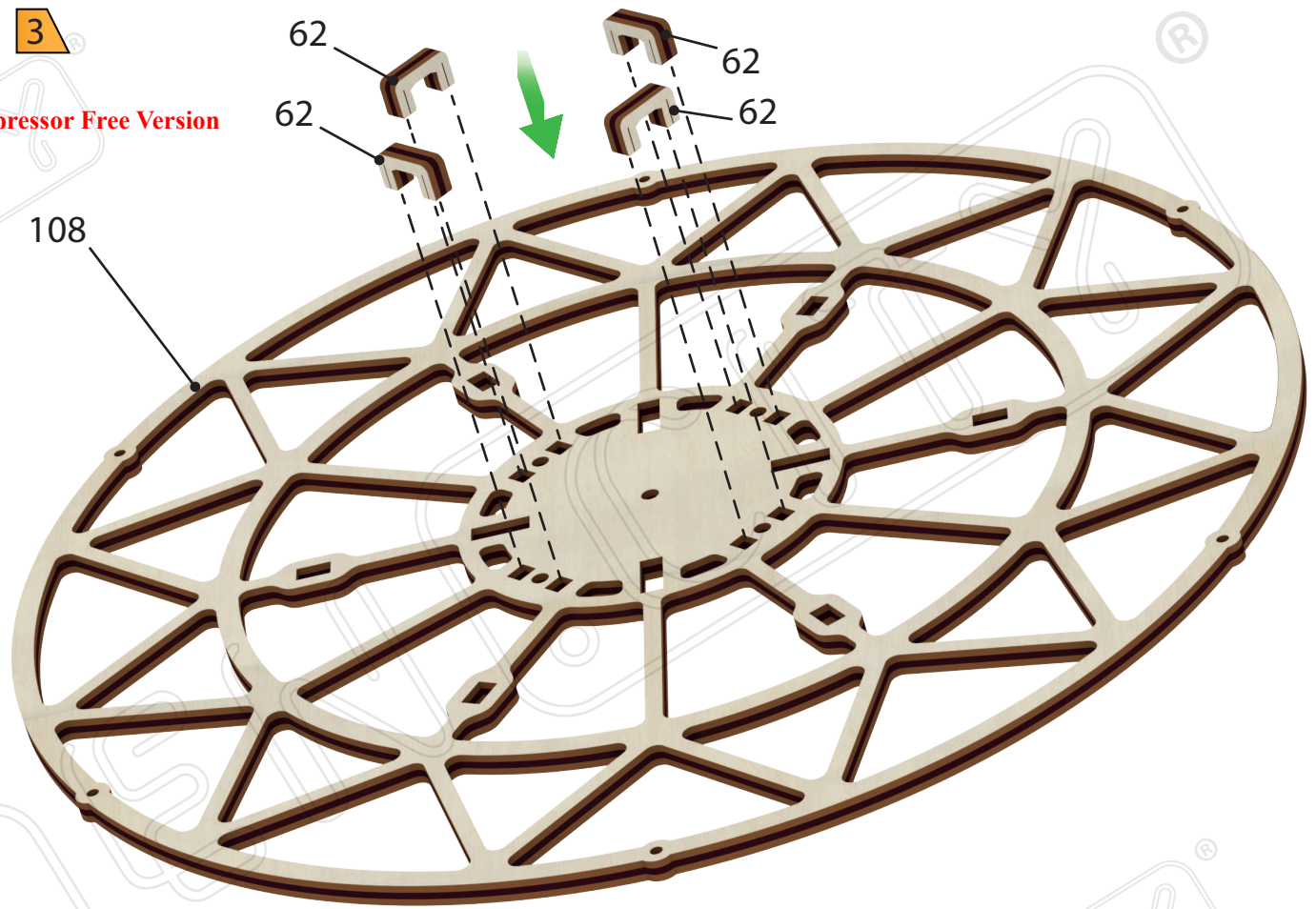
PDF Compressor Free Version

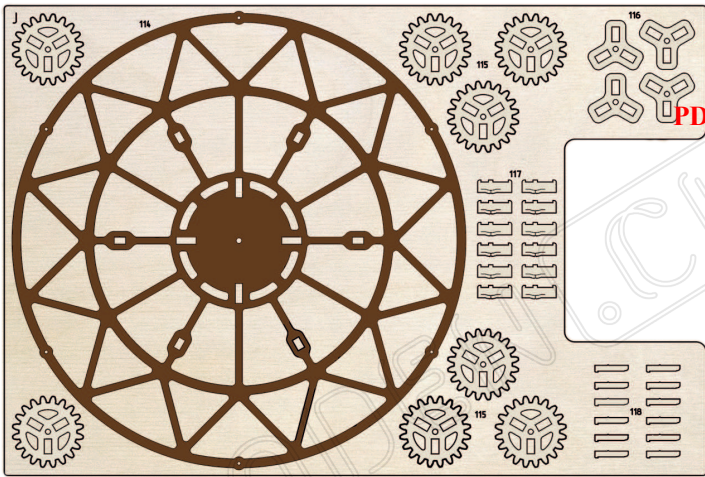




3

PDF Compressor Free Version



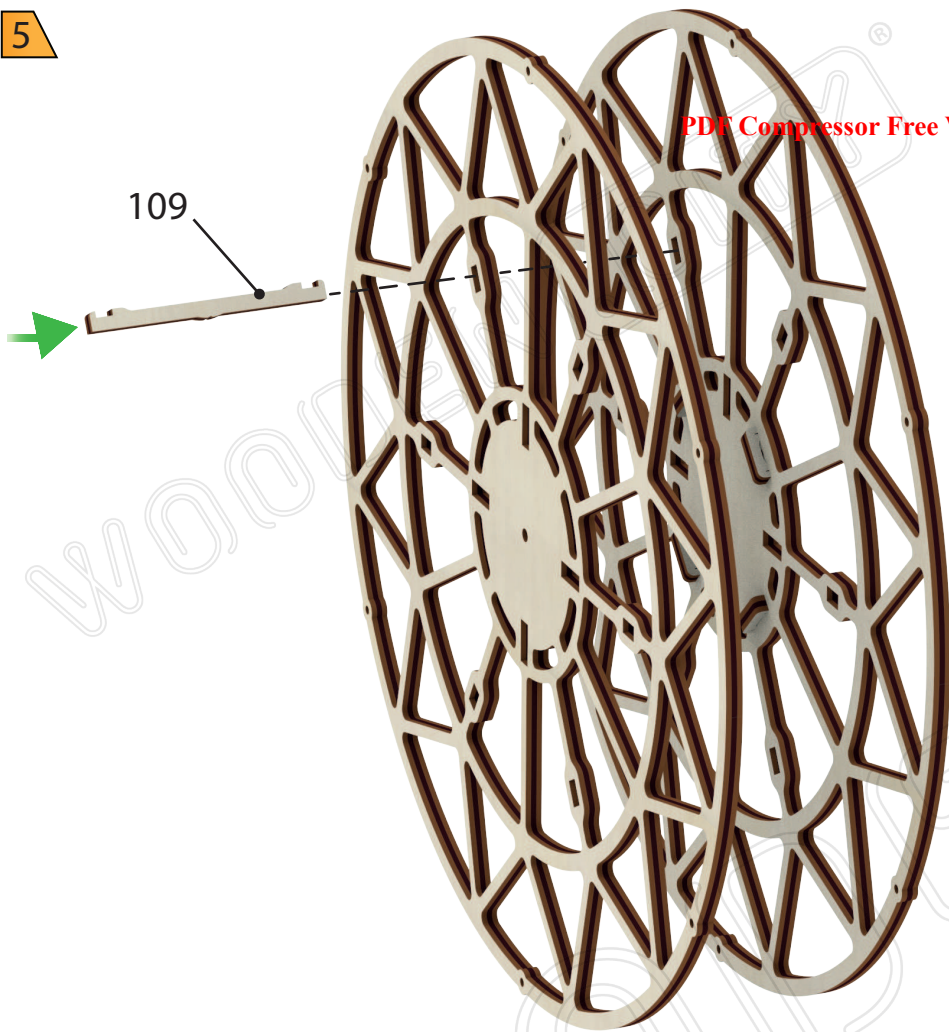


4

114

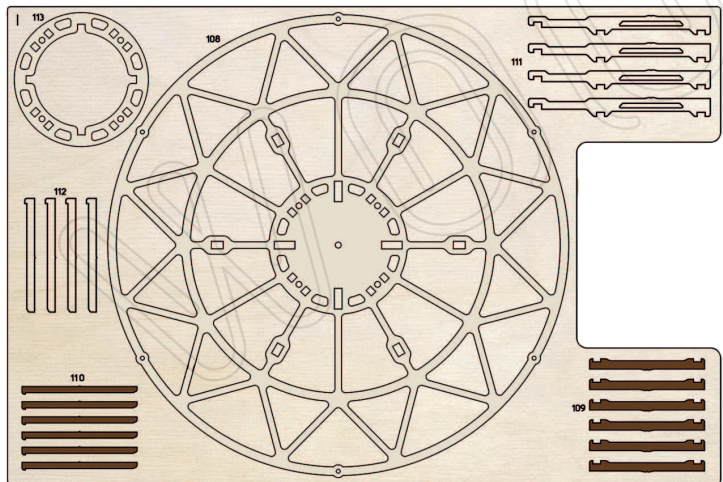
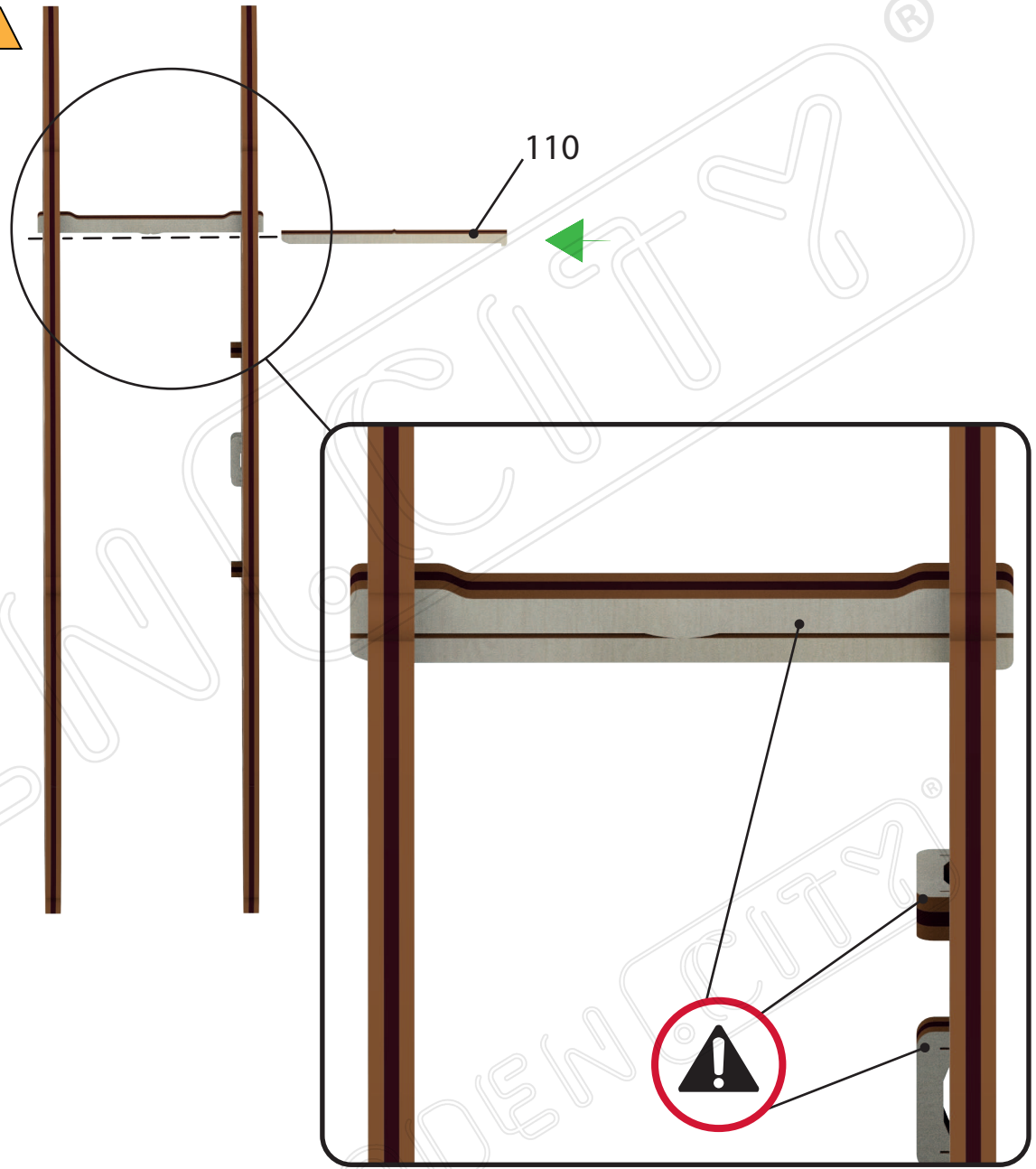


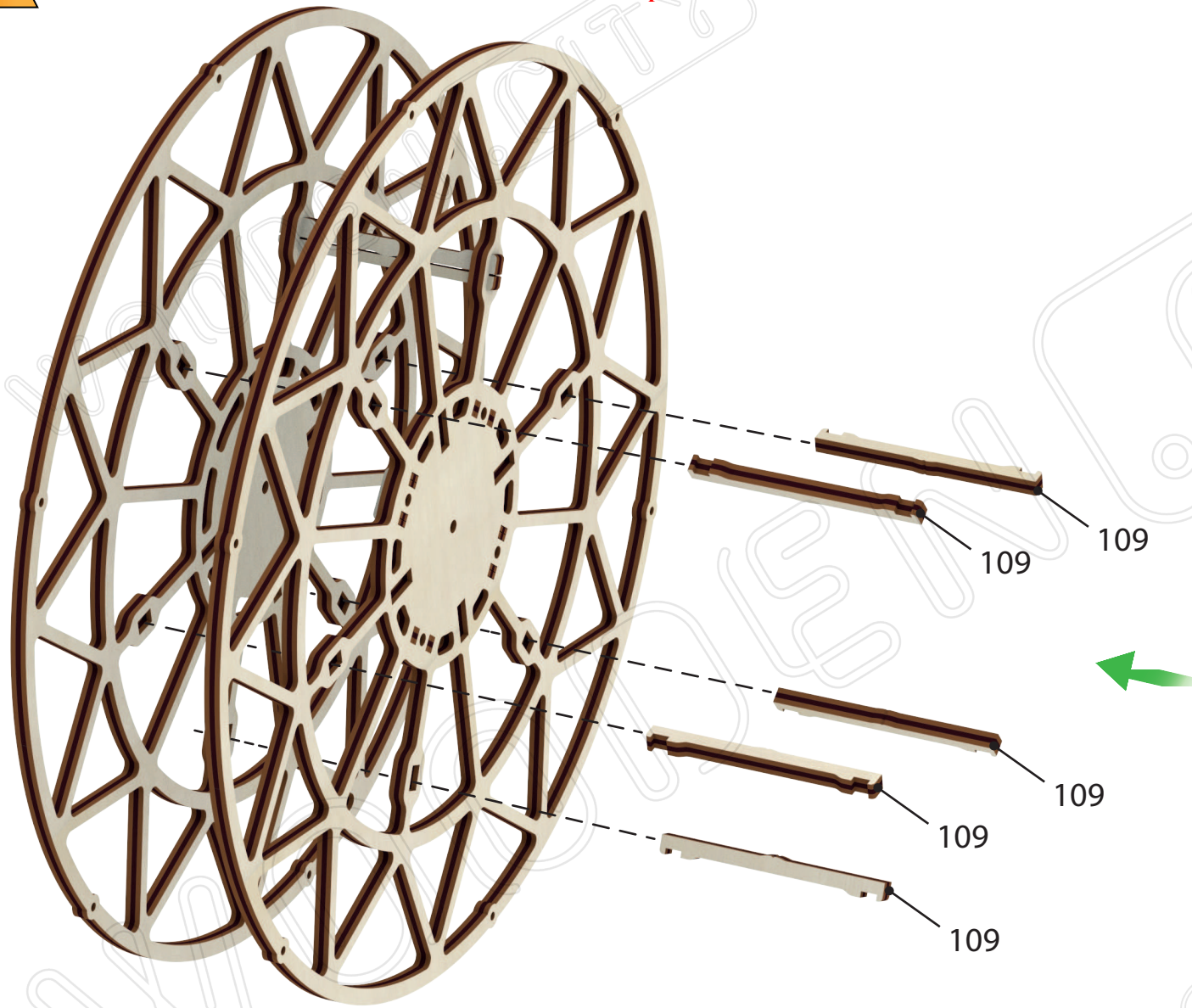
5



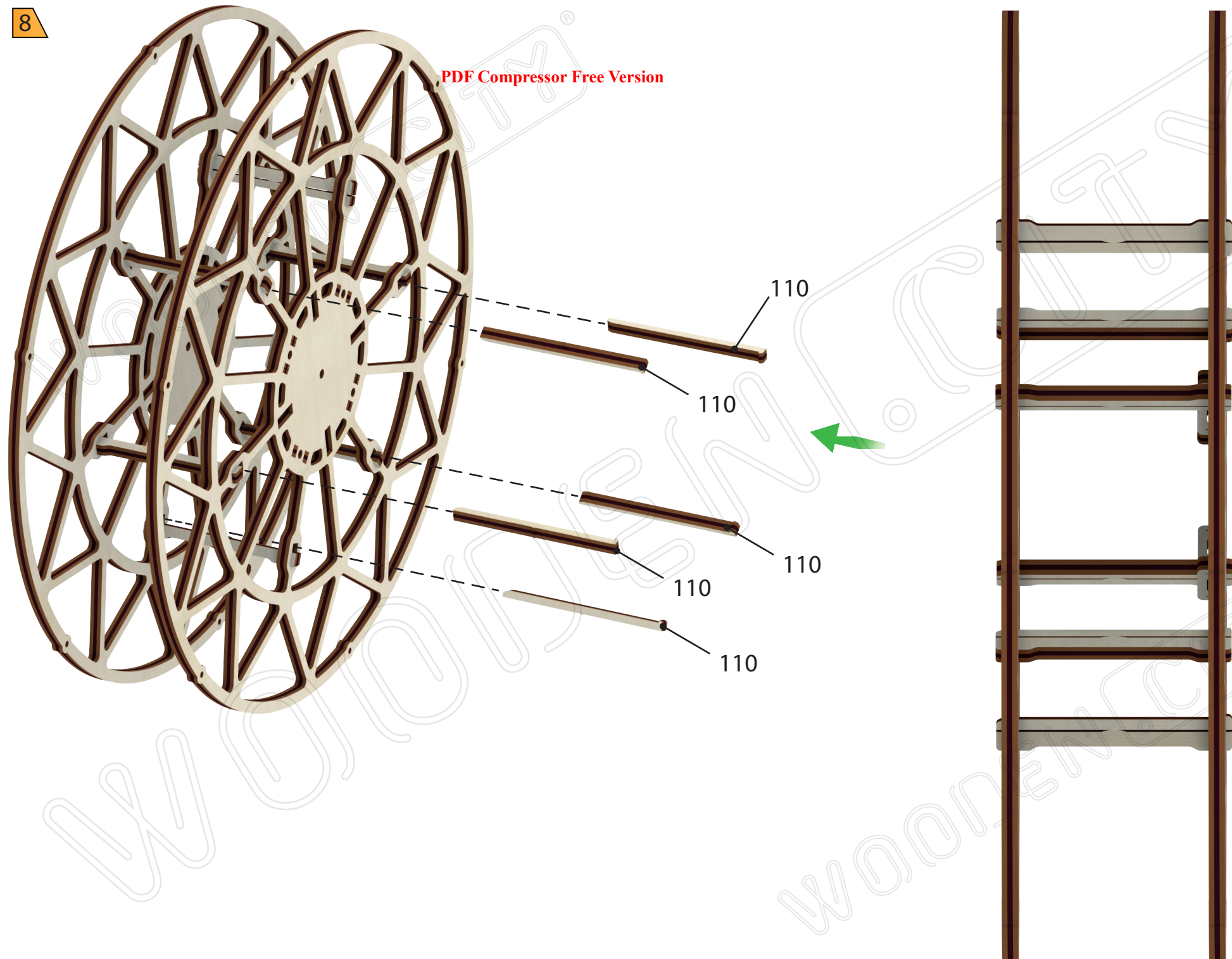
PDF Compressor Free Version

6

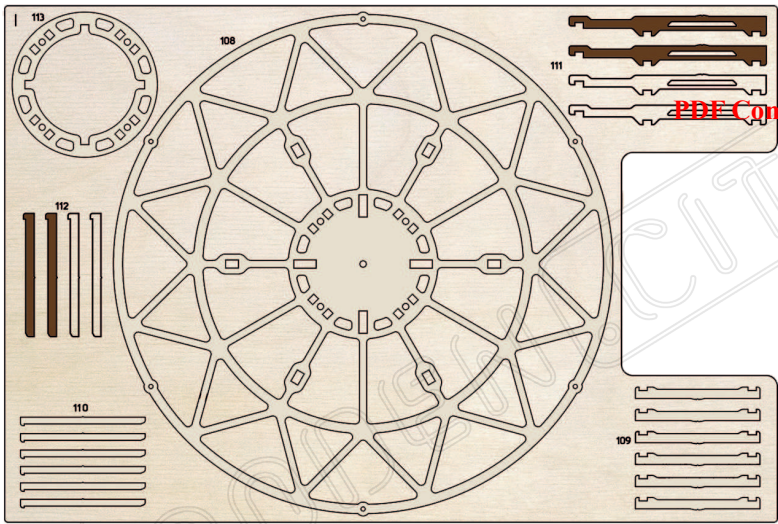




PDF Compressor Free Version

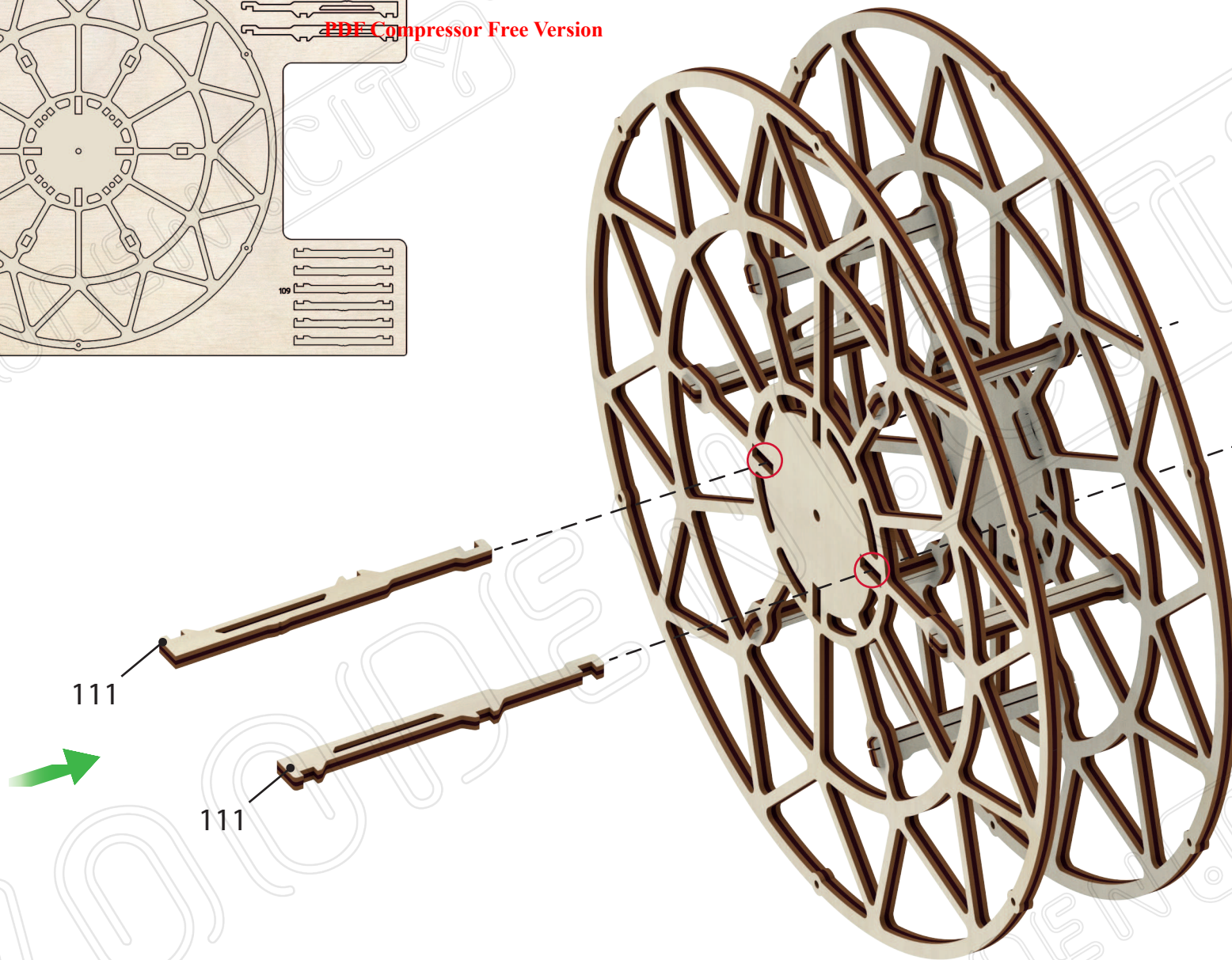




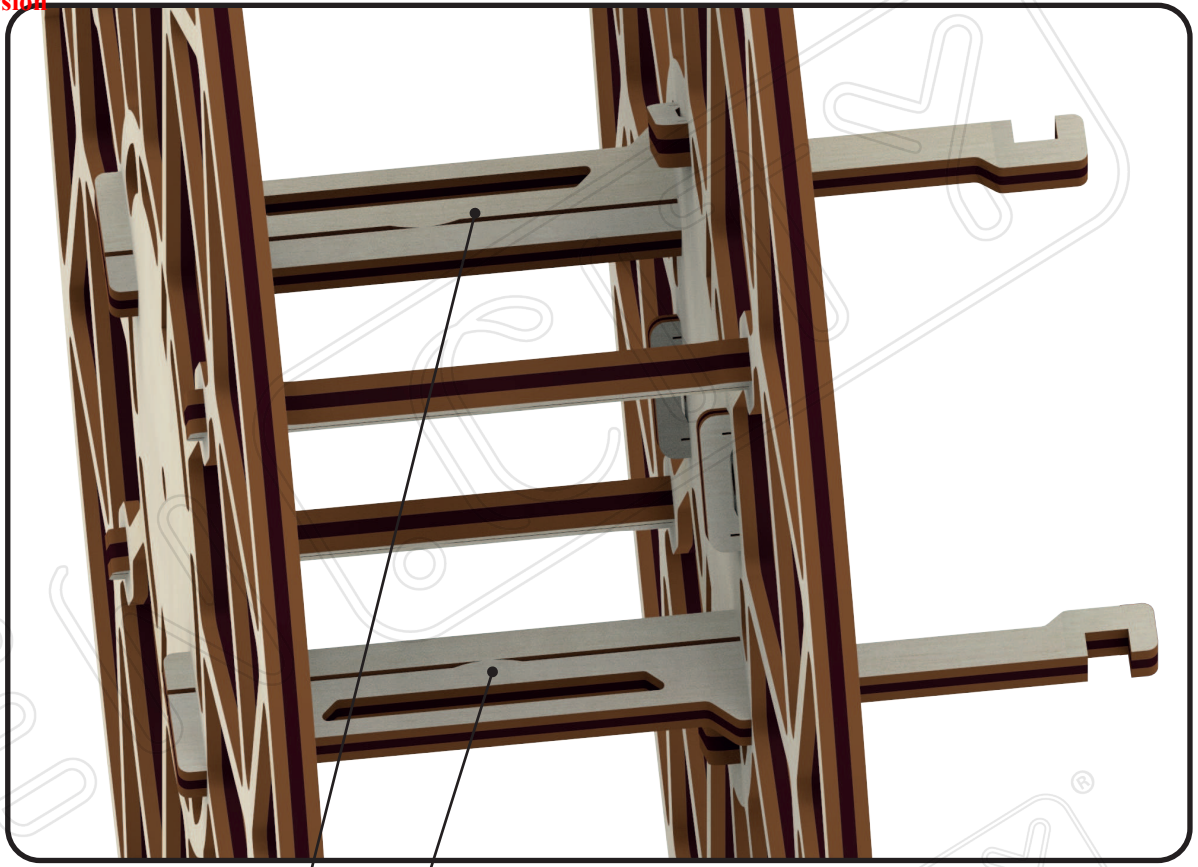
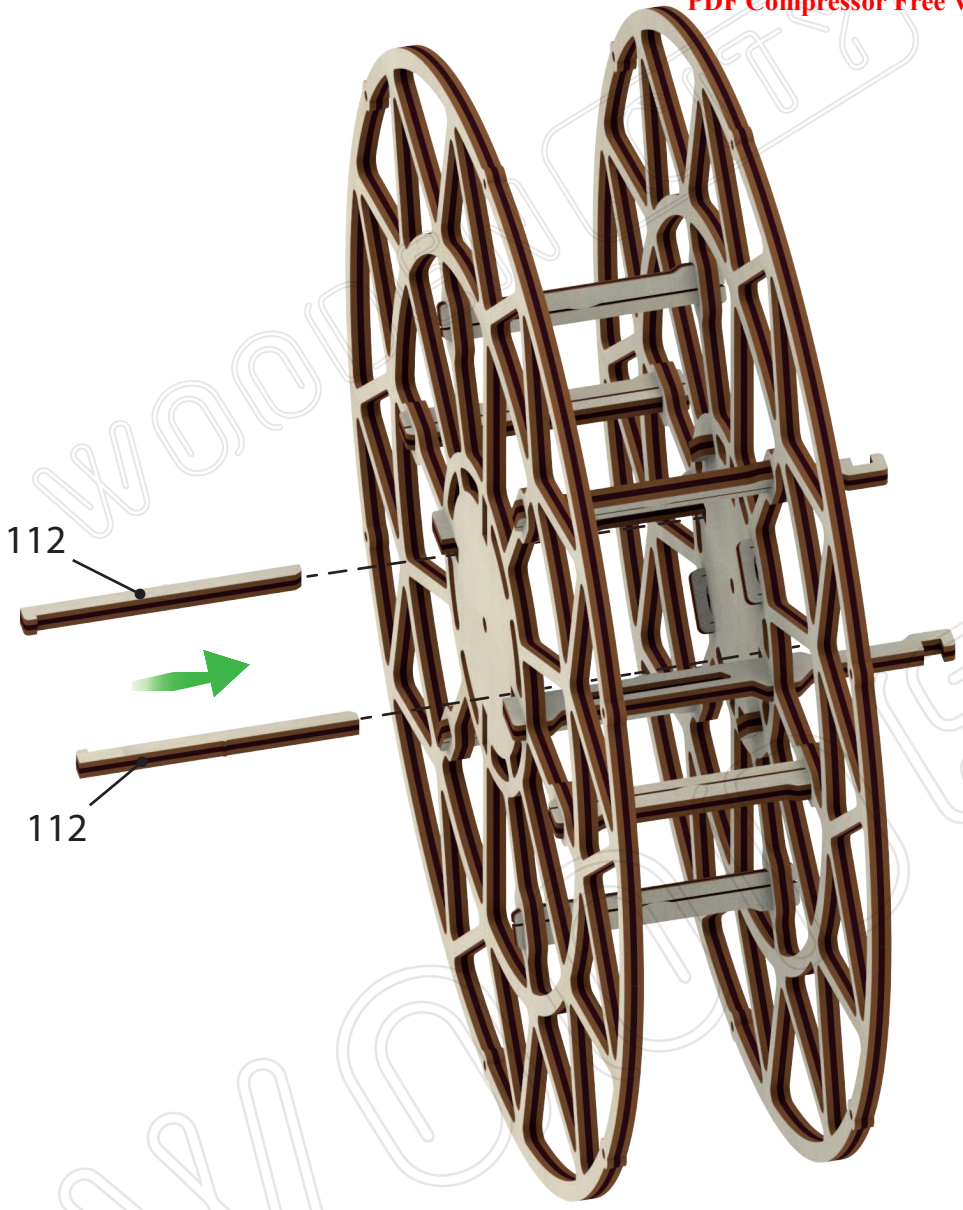


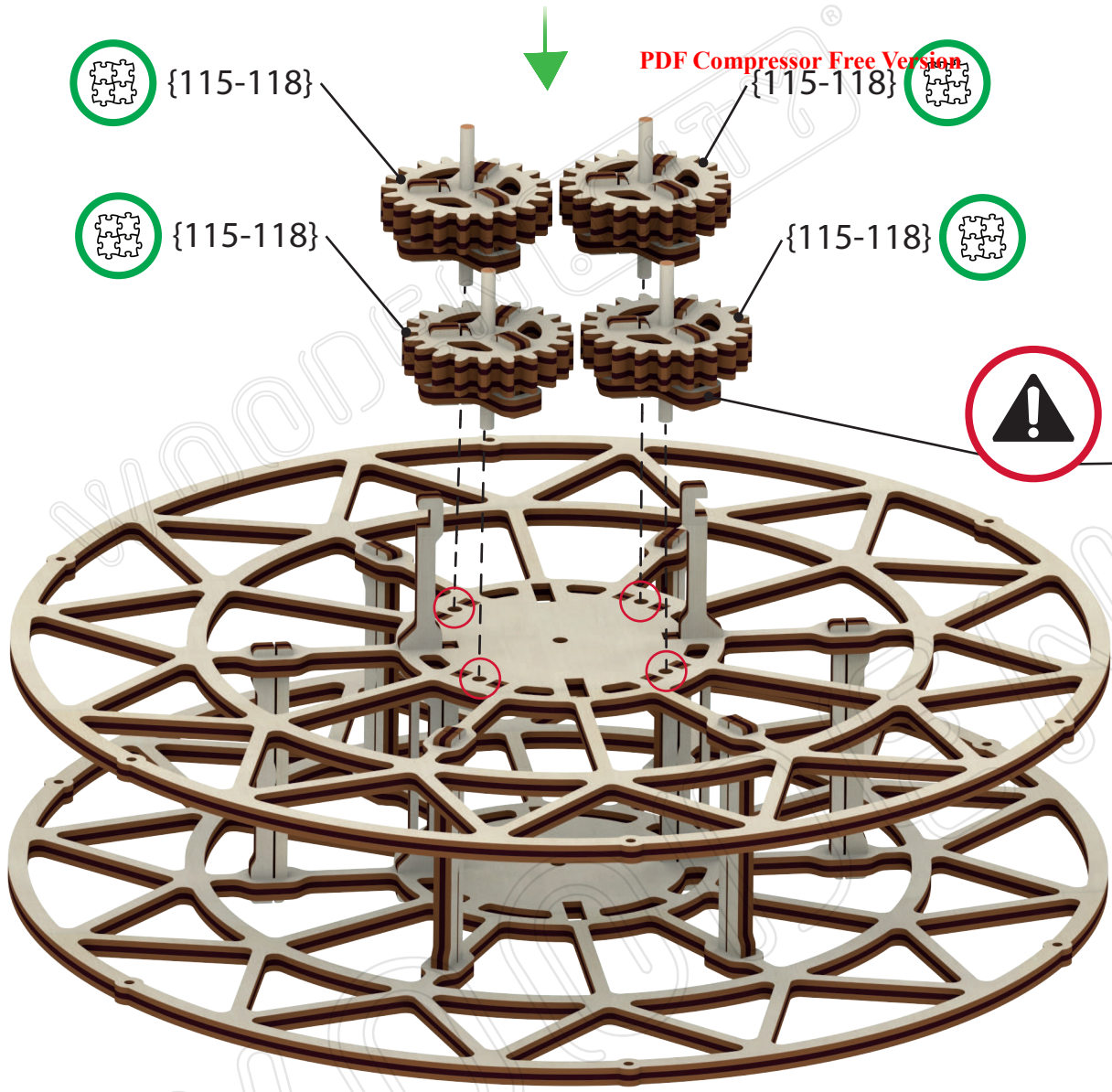
9

PDF Compressor Free Version

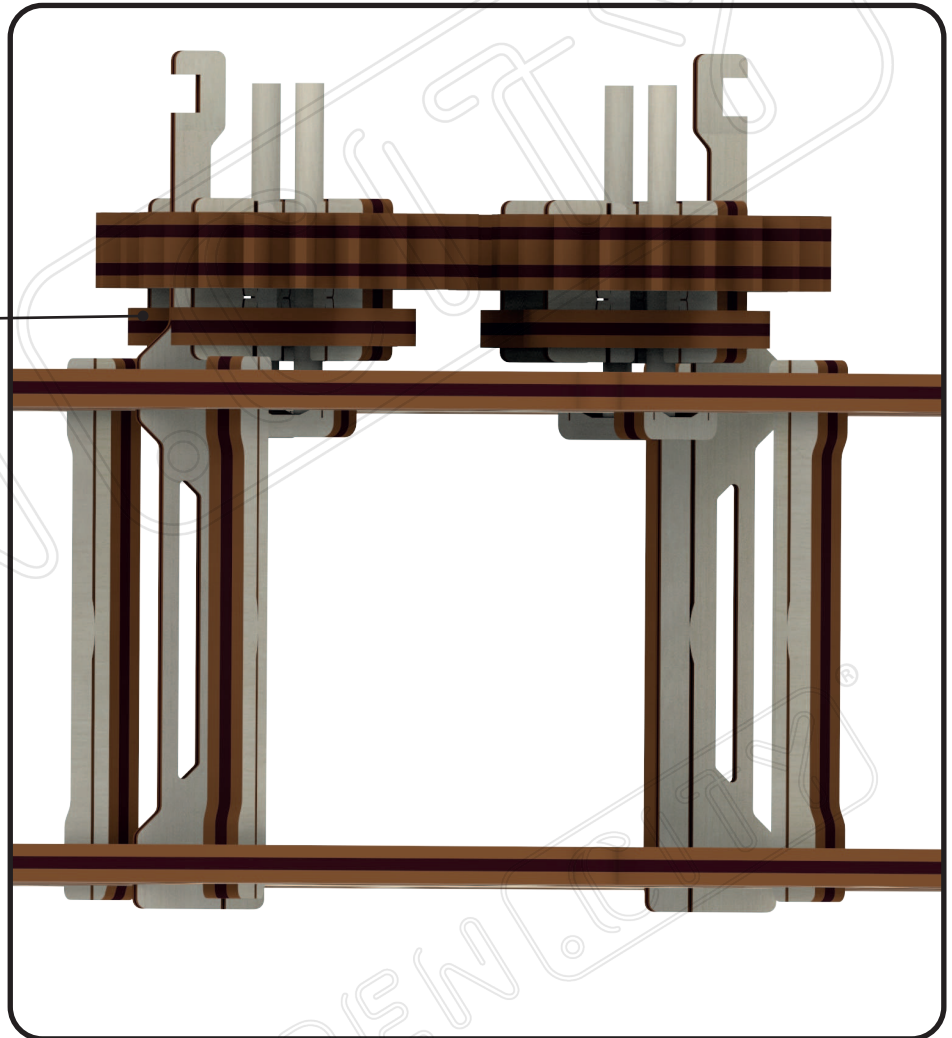


PDF Compressor Free Version





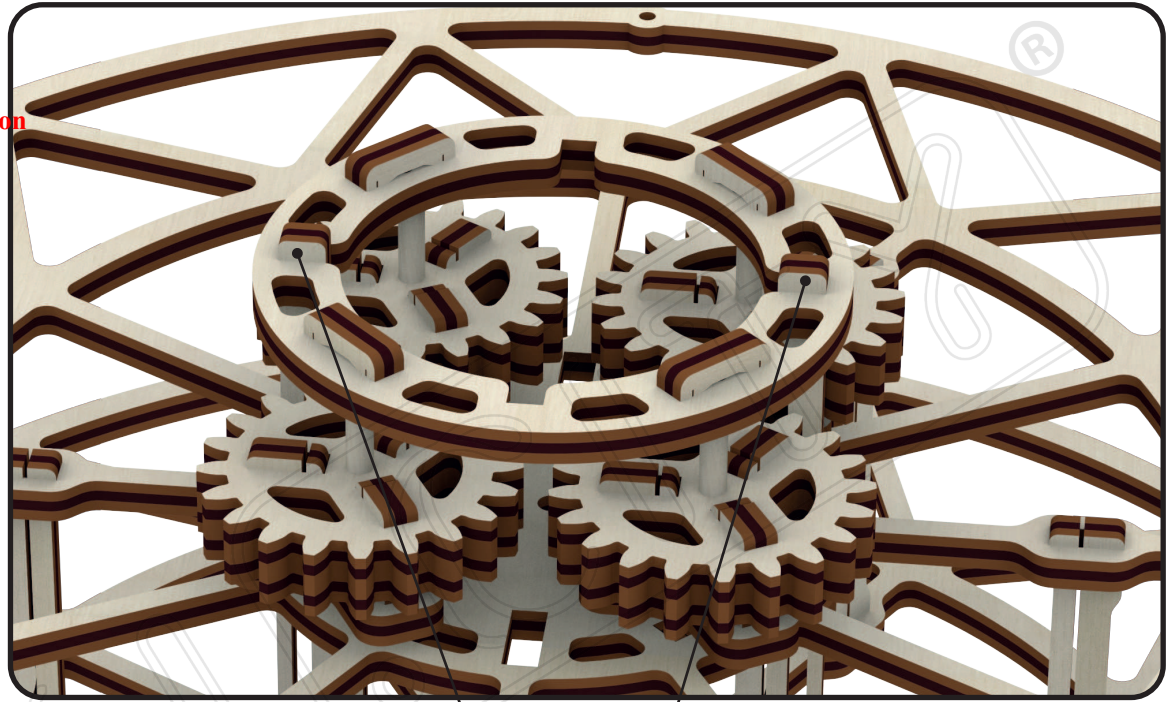
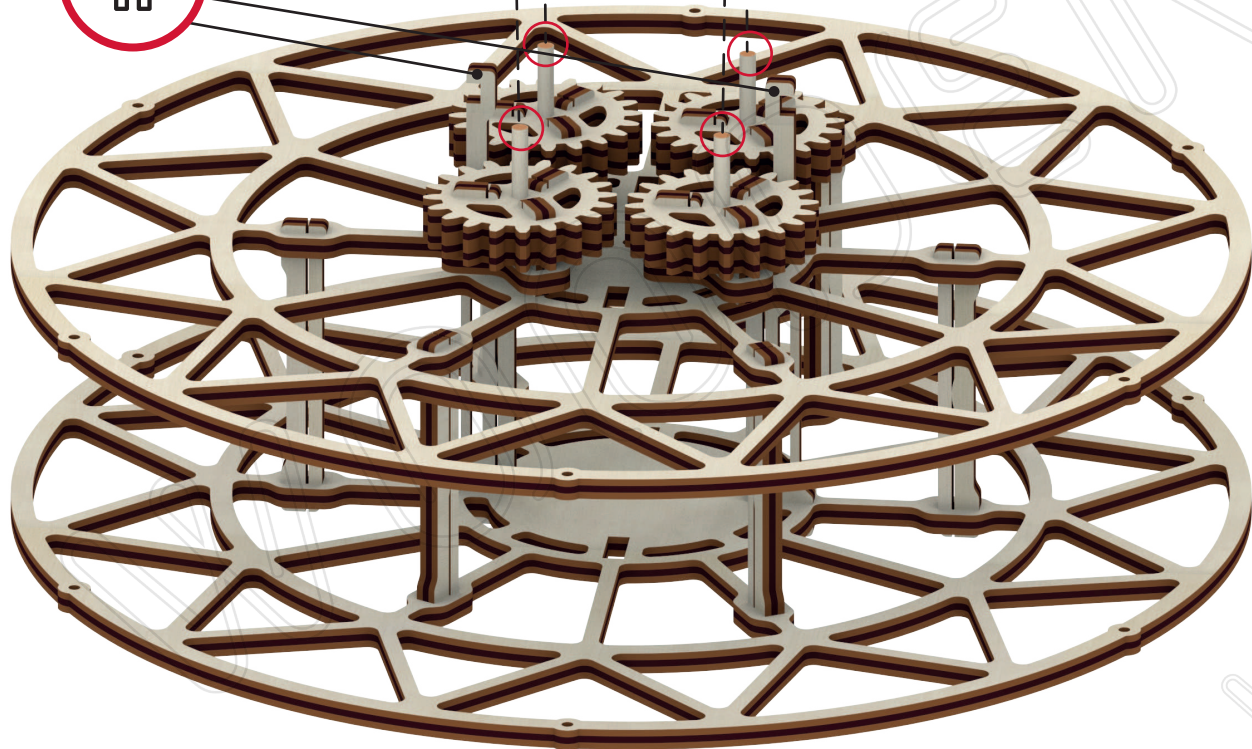
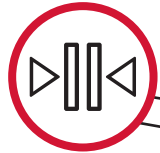
PDF Compressor Free Version

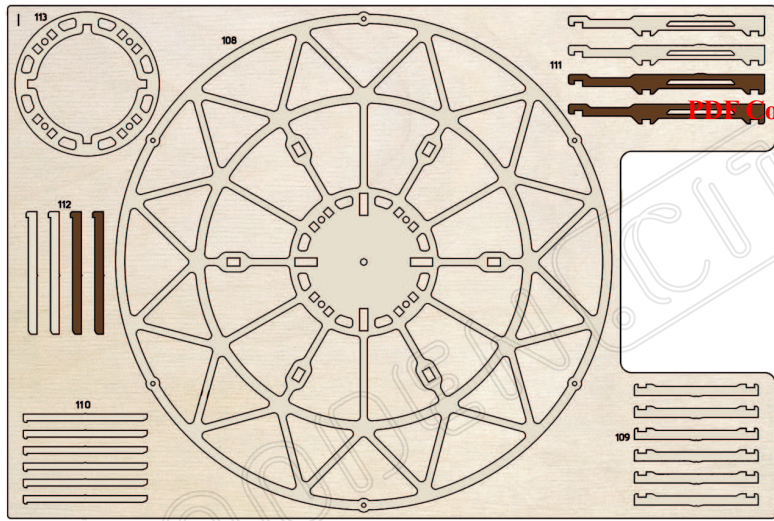


12



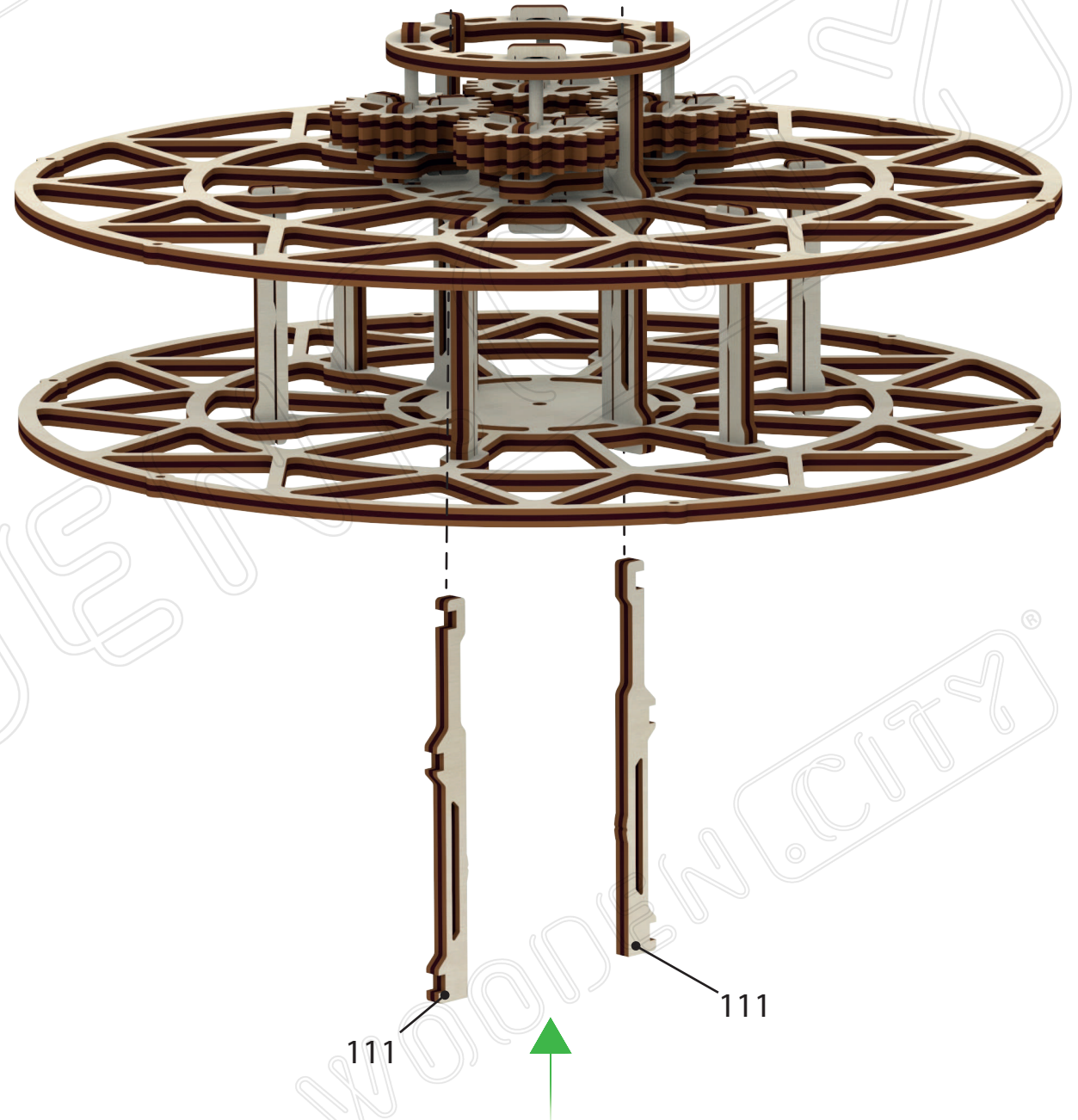
{62,113}



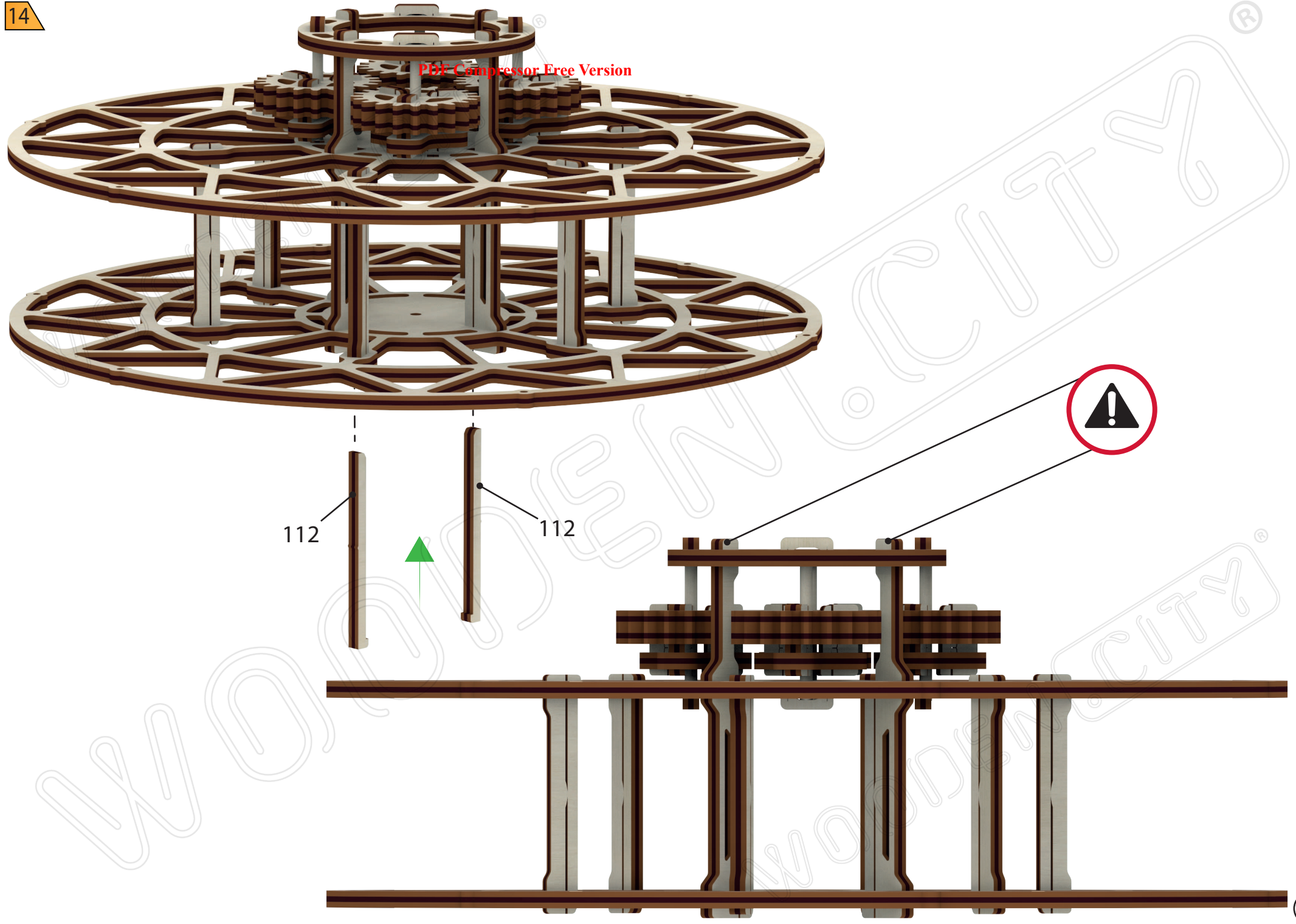


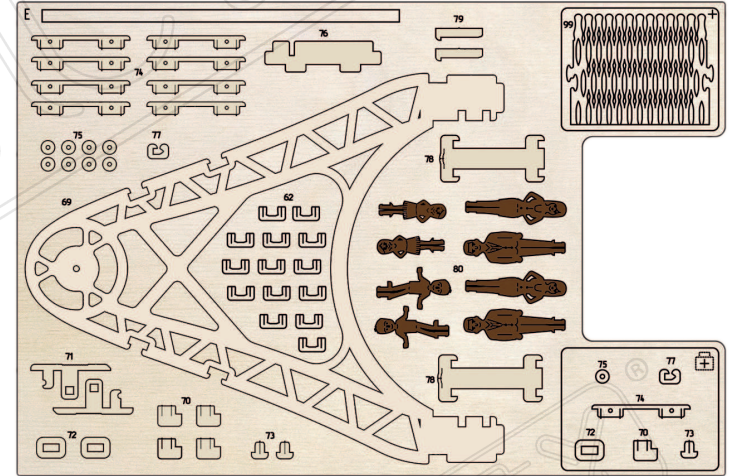
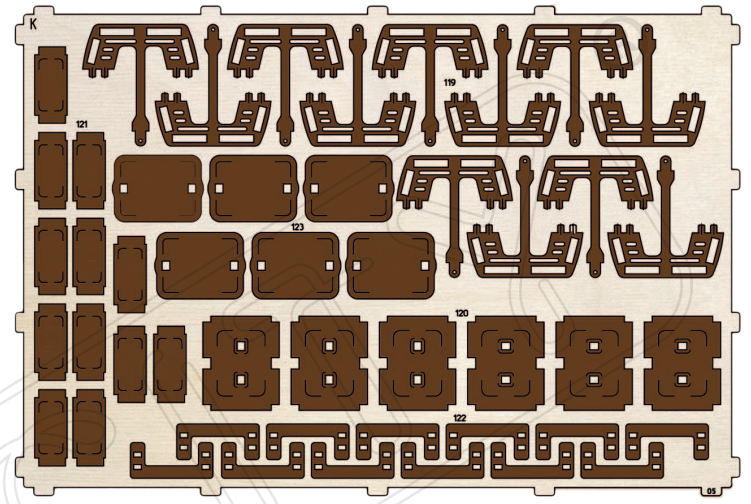
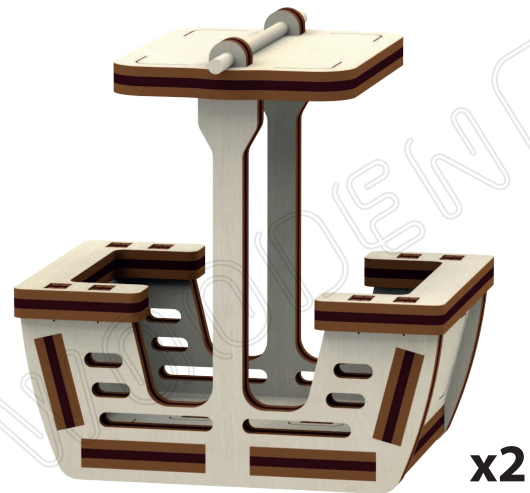
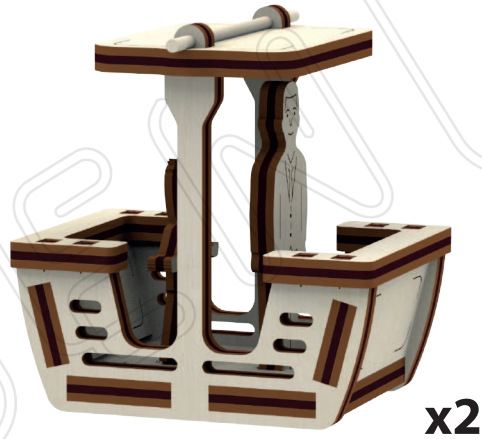
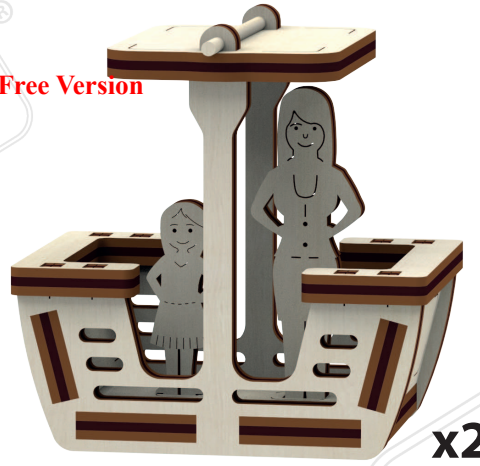
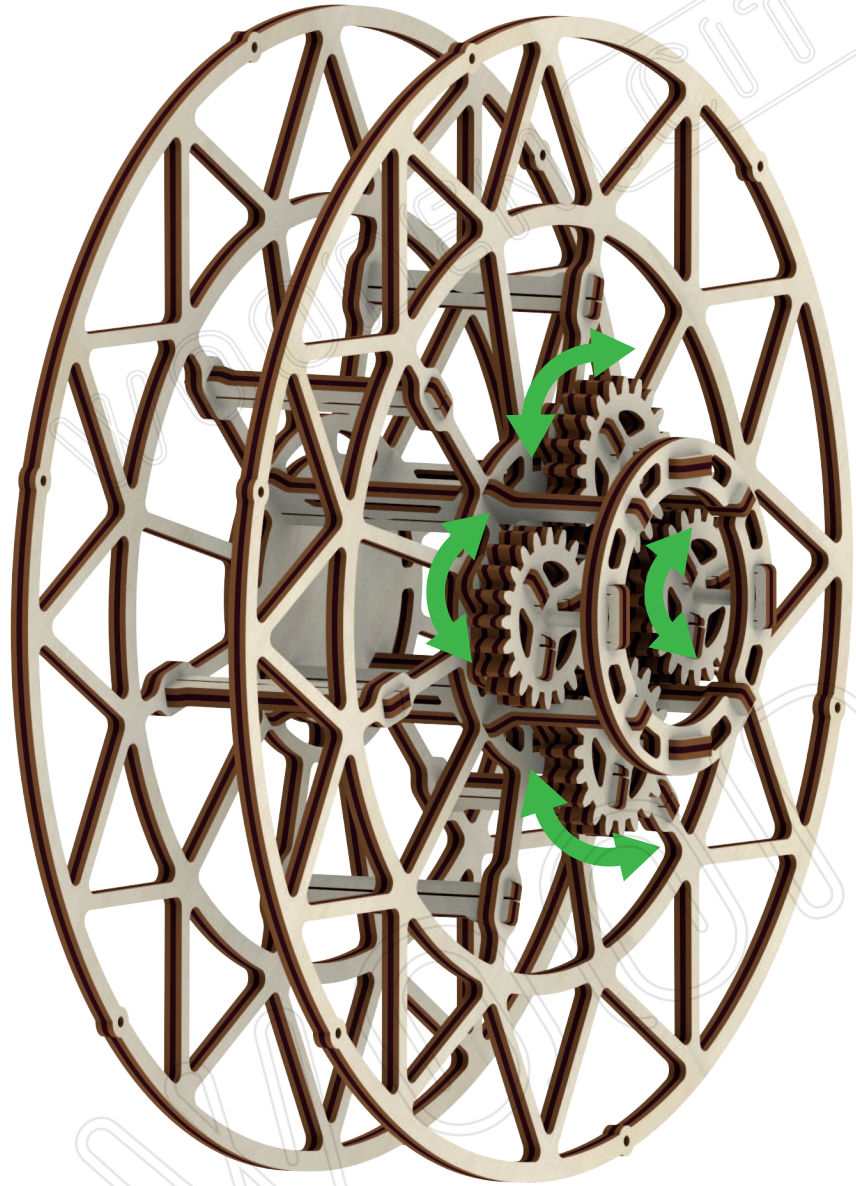
13

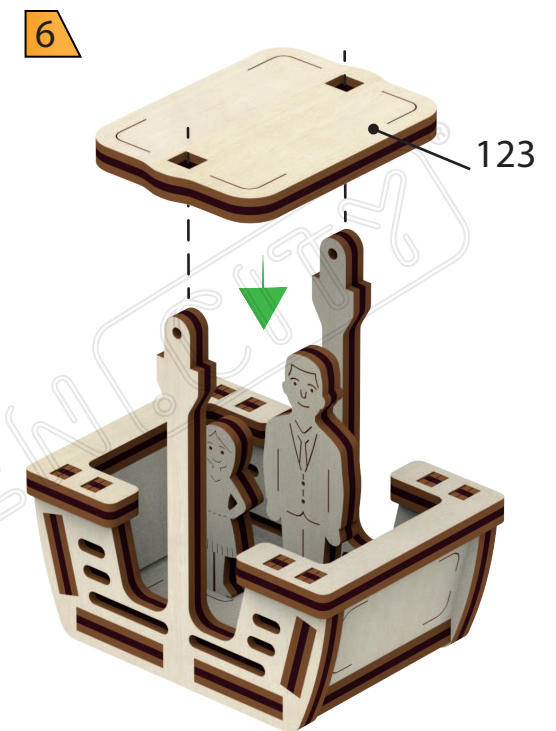
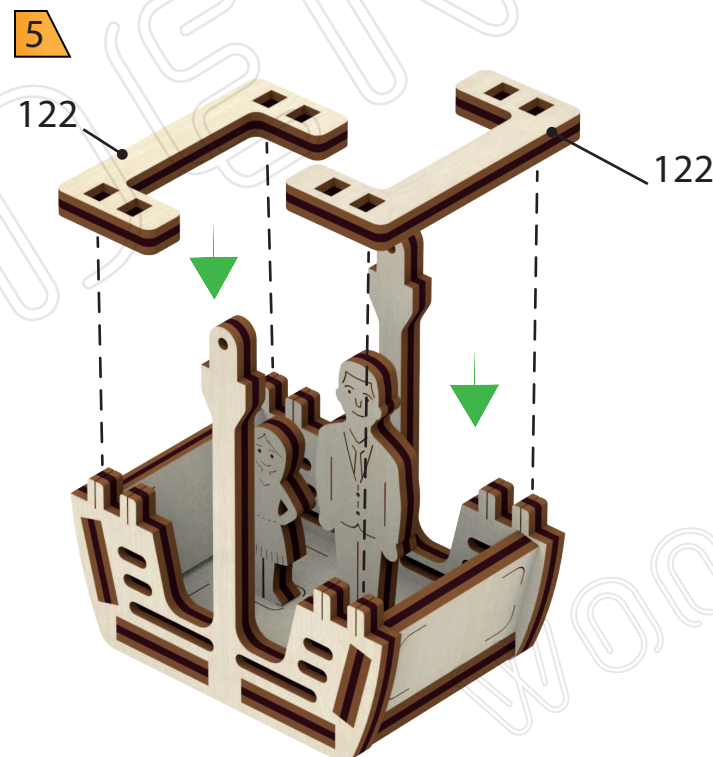
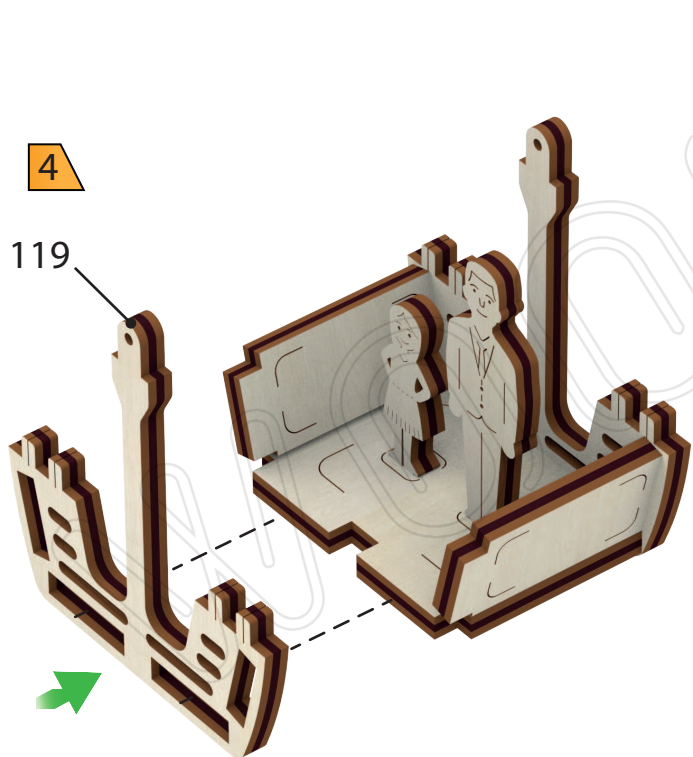
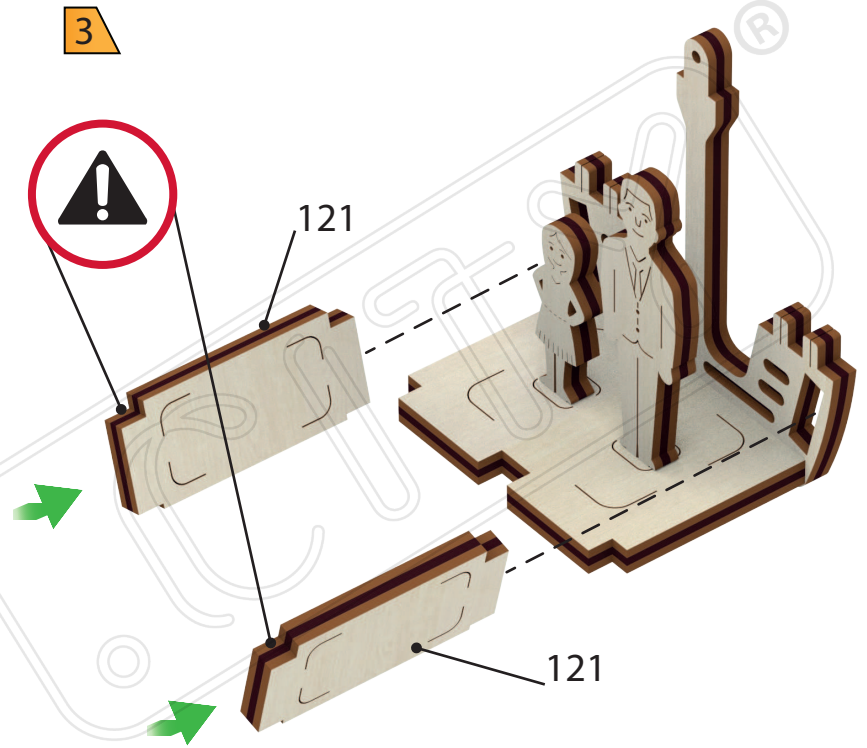
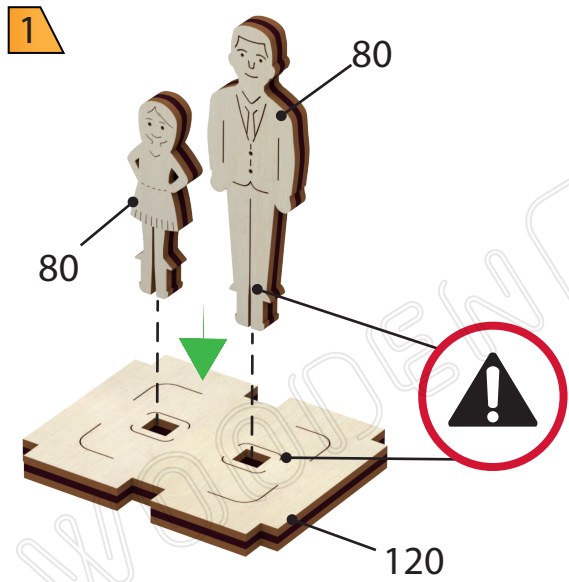
PDF Compressor Free Version



PDF Compressor Free Version

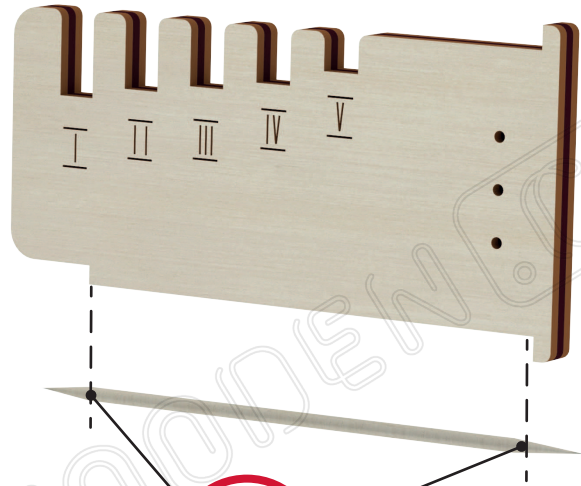






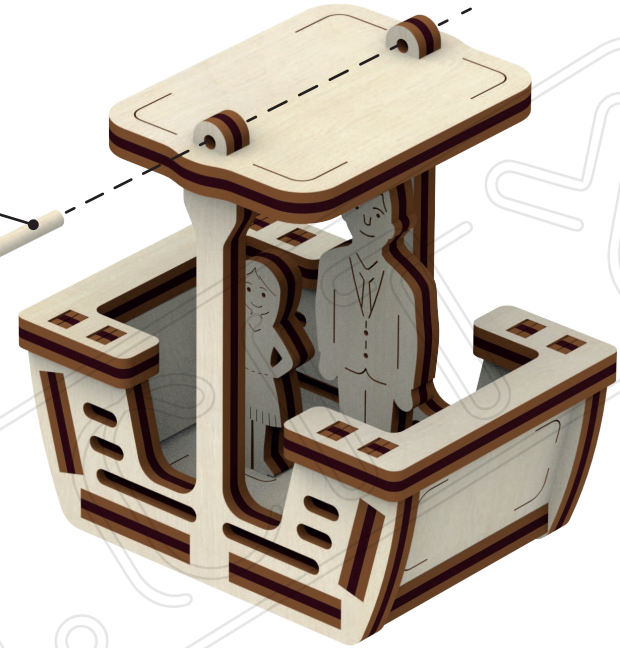


7

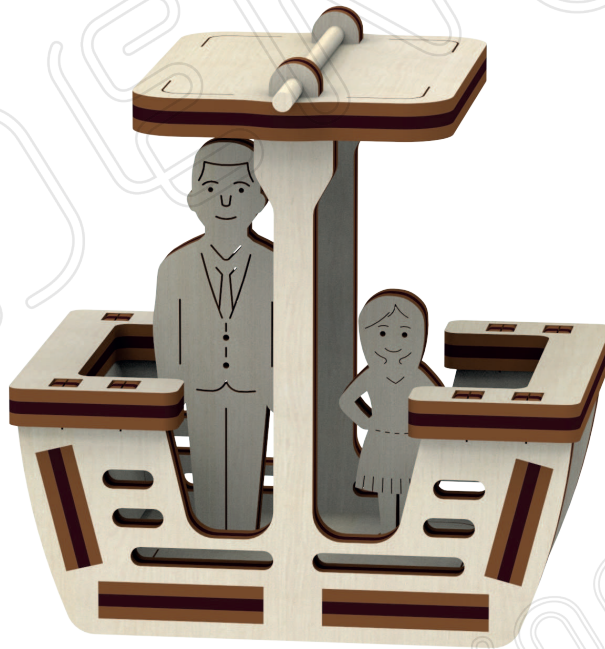


PDF Compressor Free Version

8

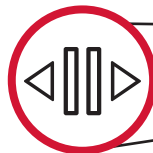
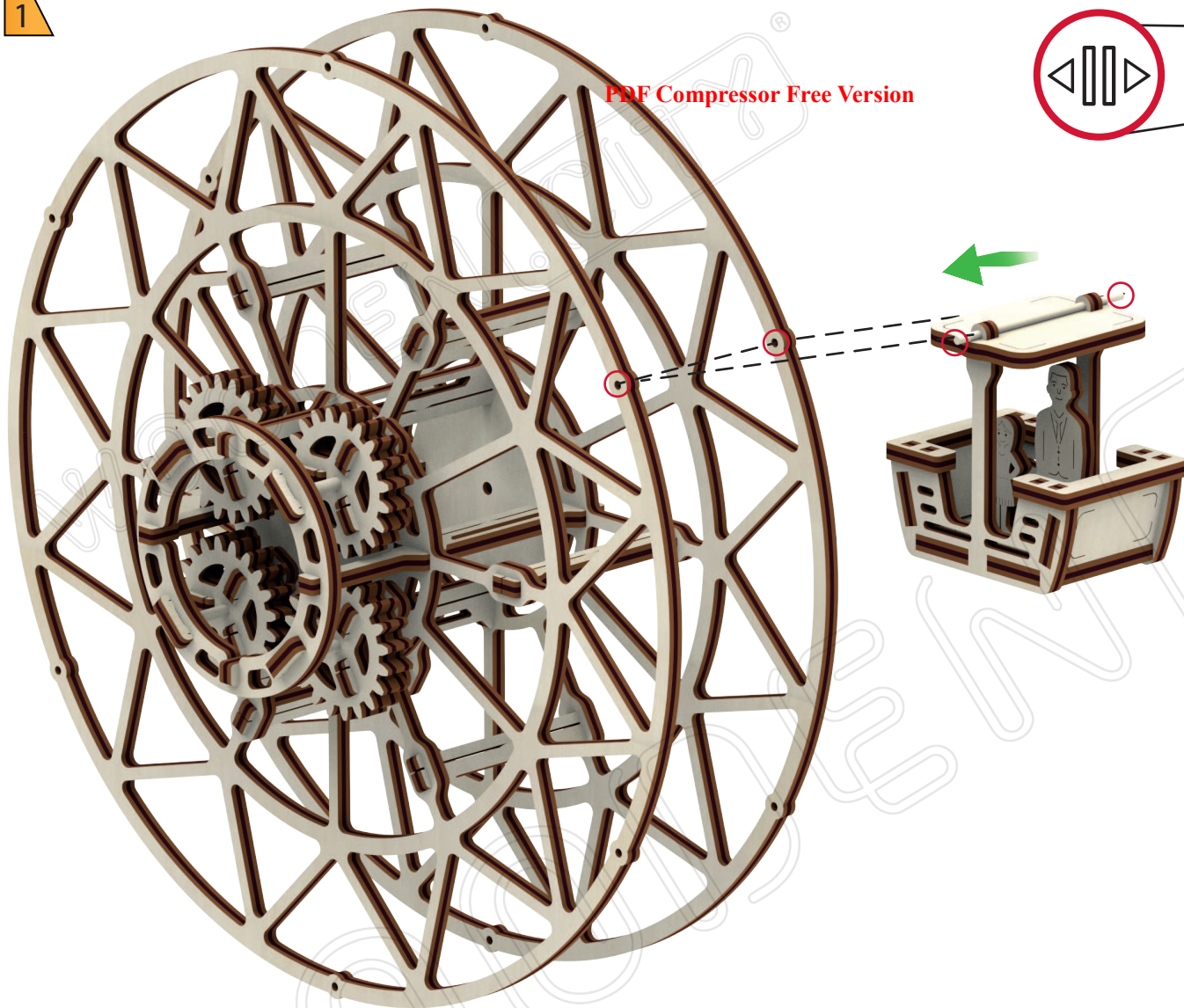


x6

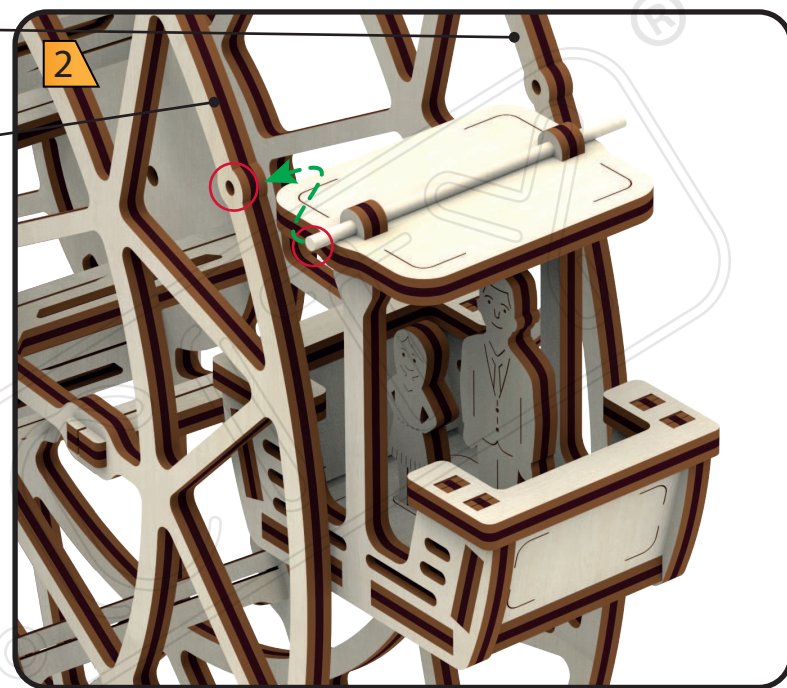


1

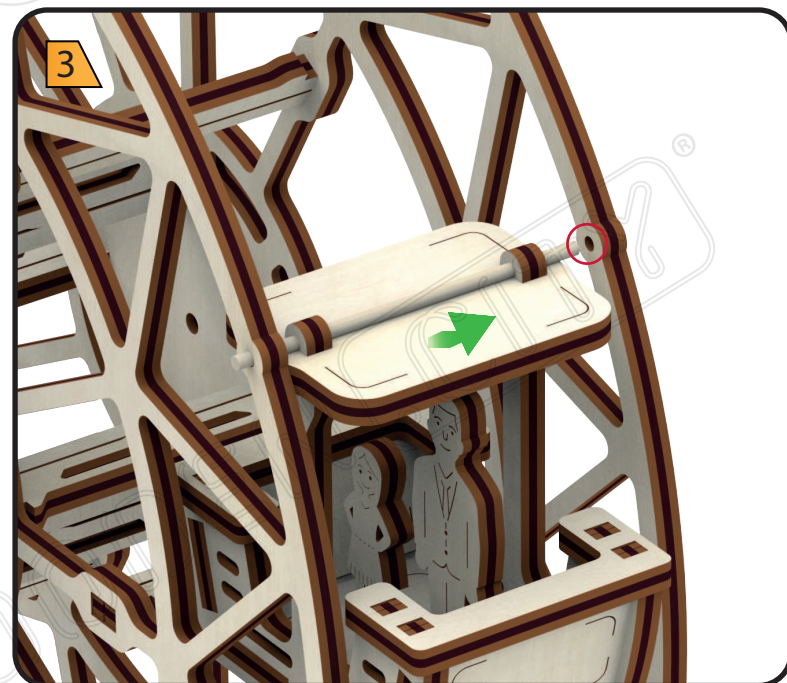
PDF Compressor Free Version

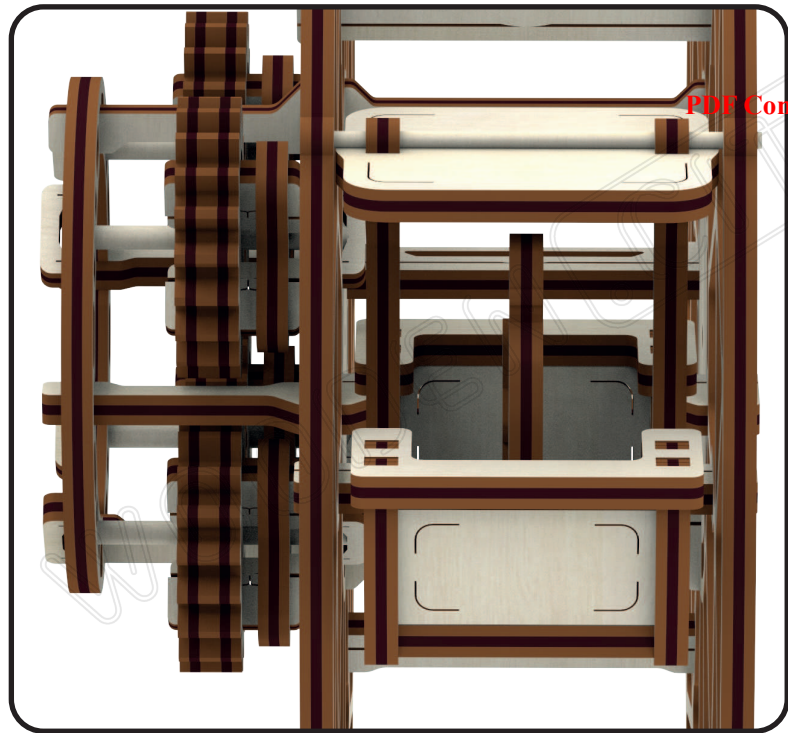


2



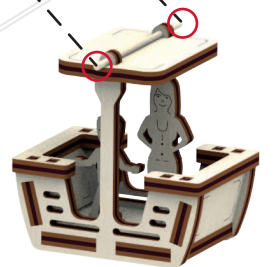
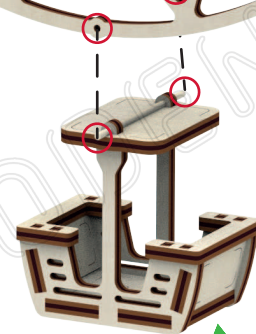
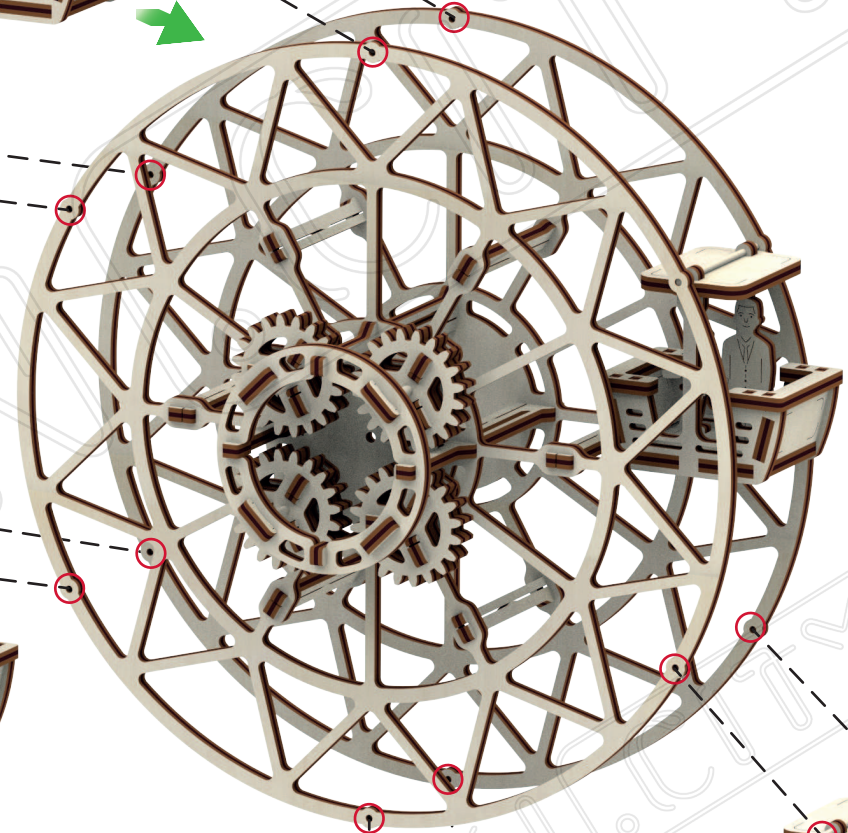
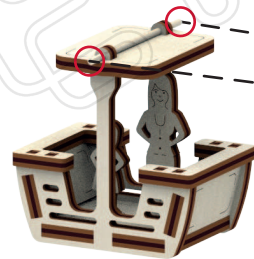
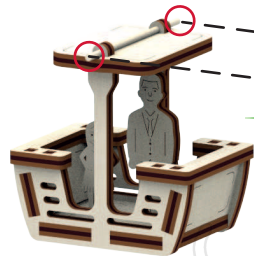
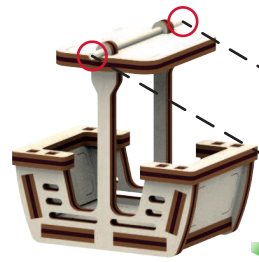
3





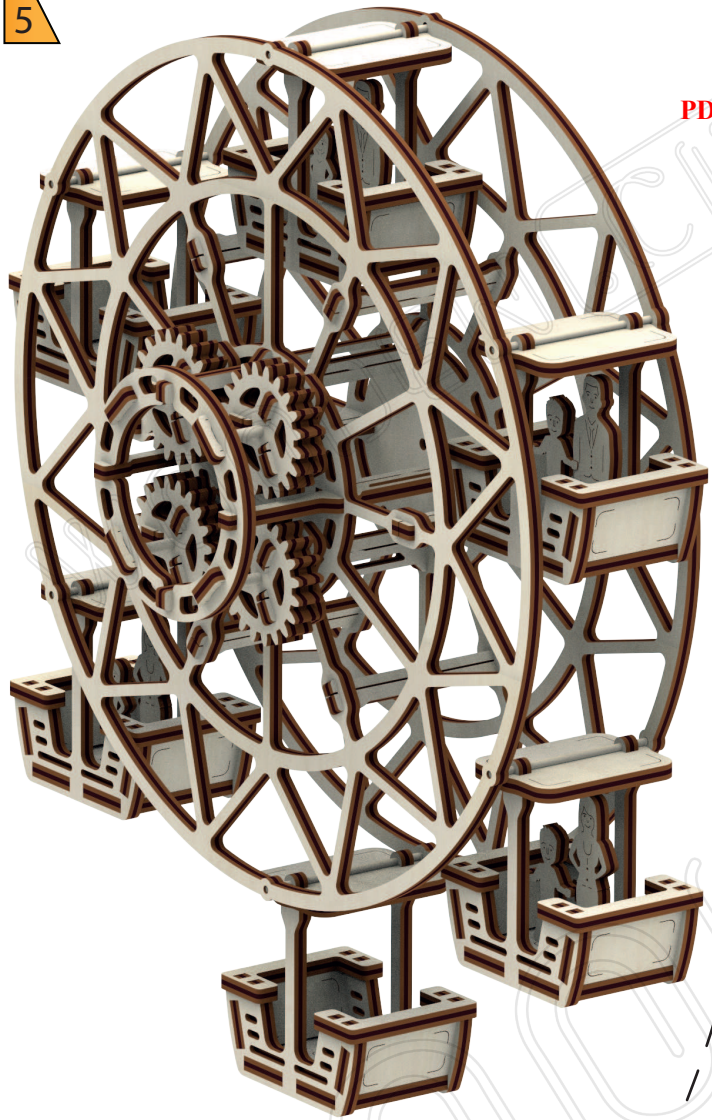
4

PDF Compressor Free Version

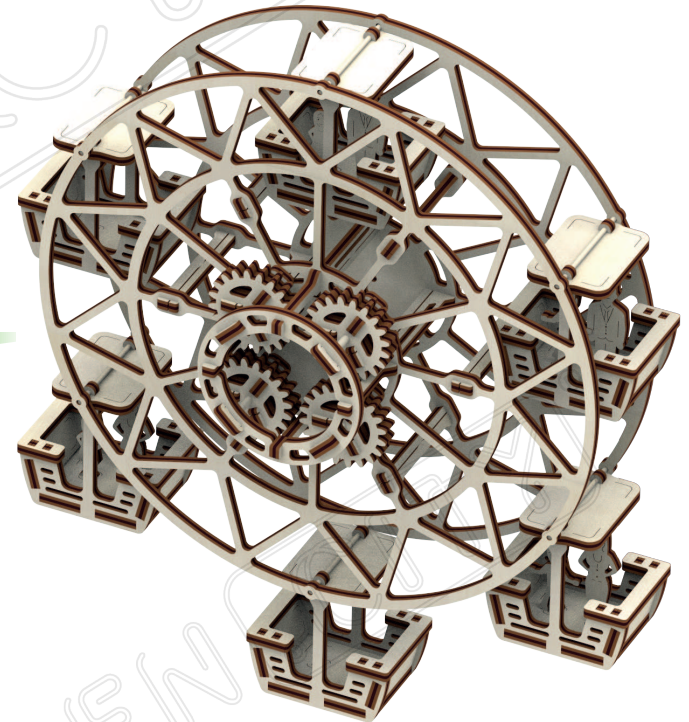
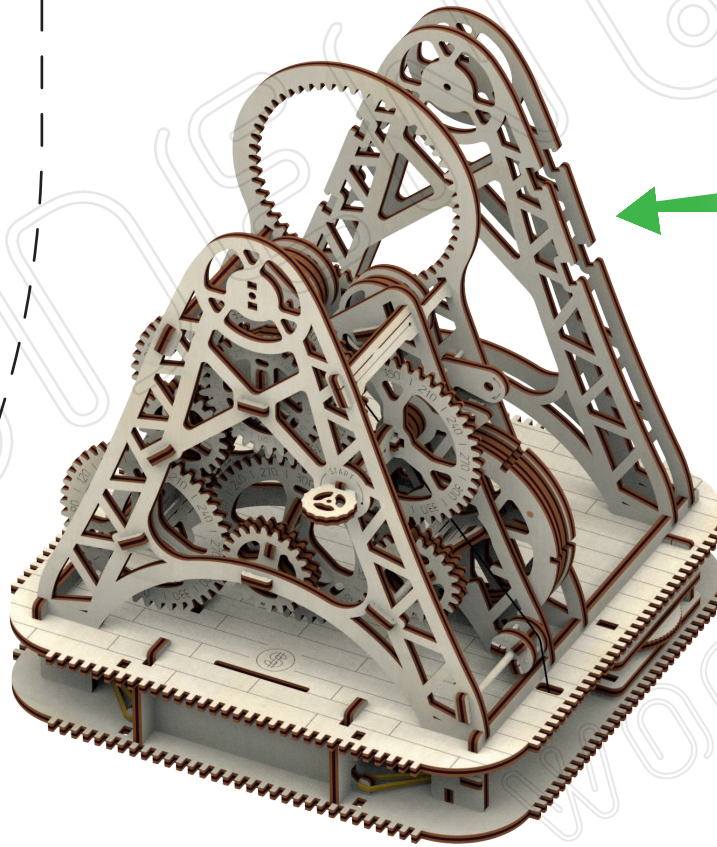


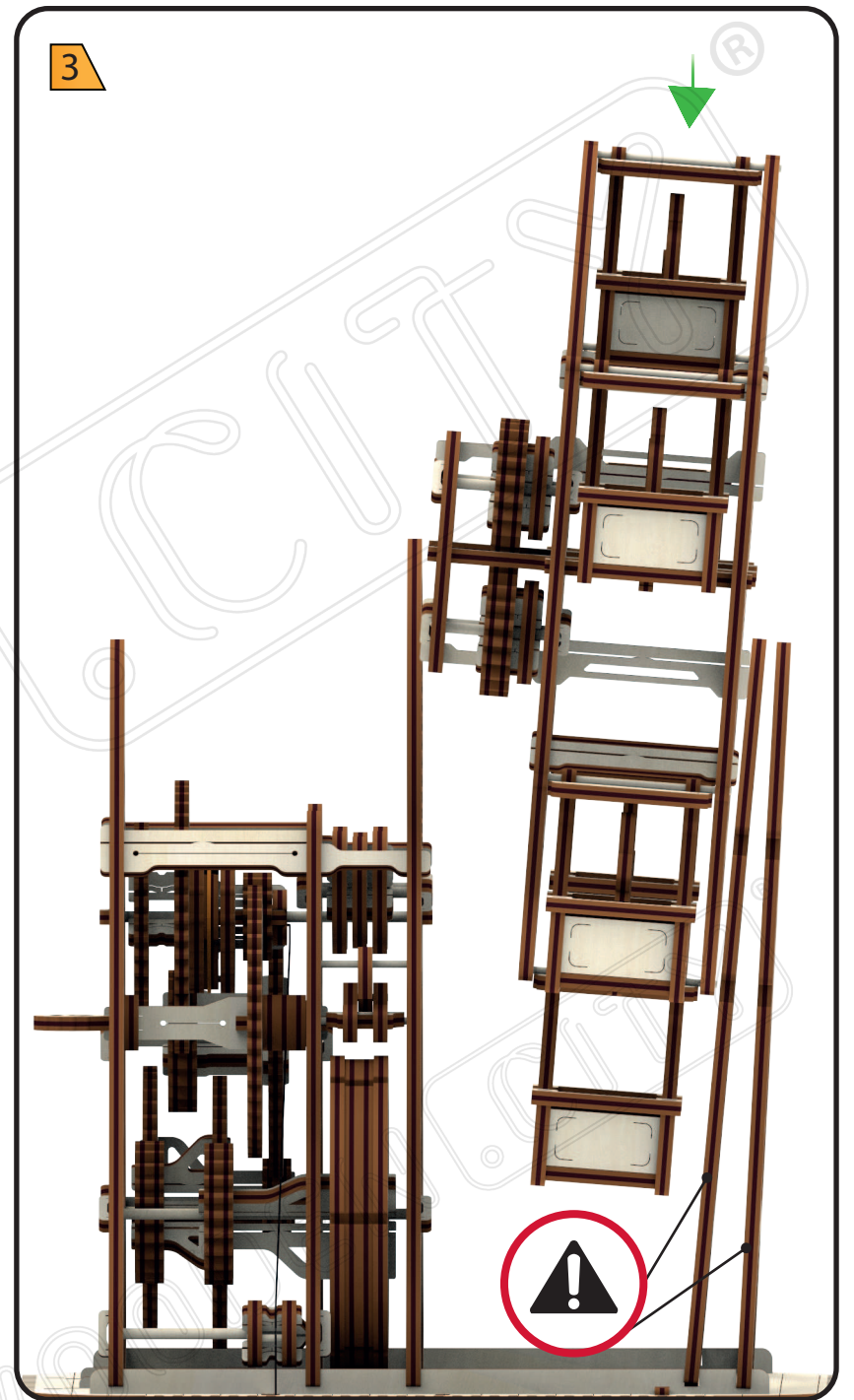
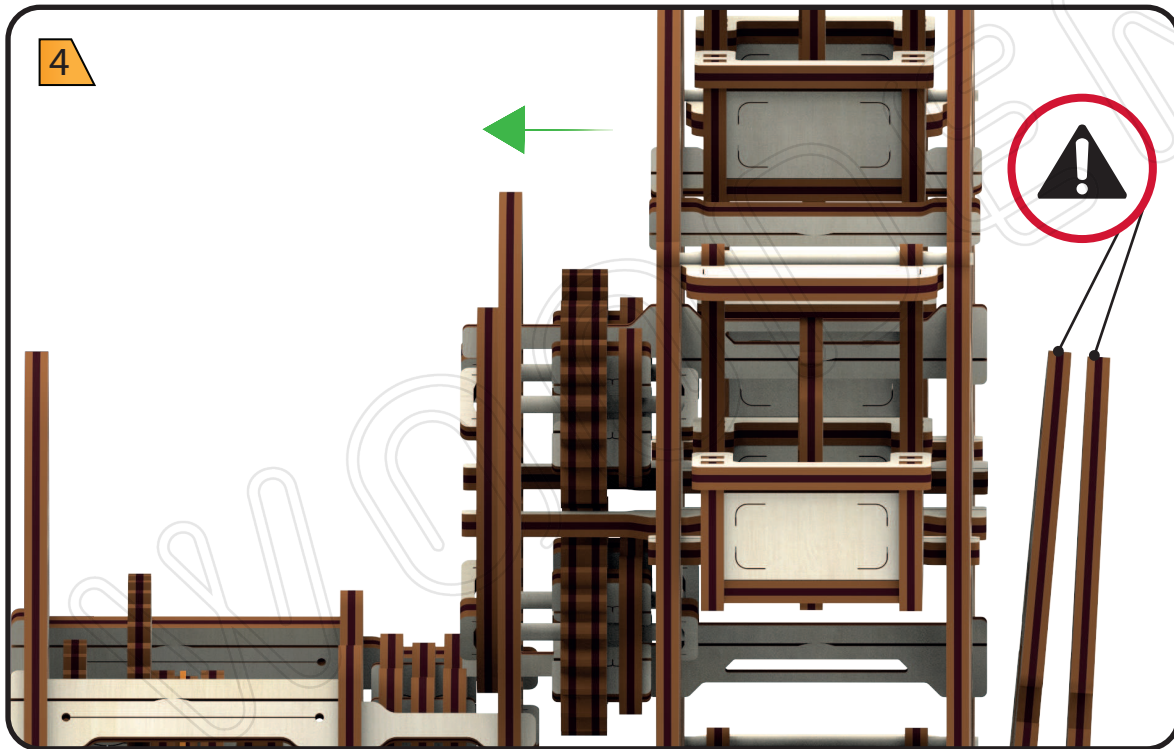
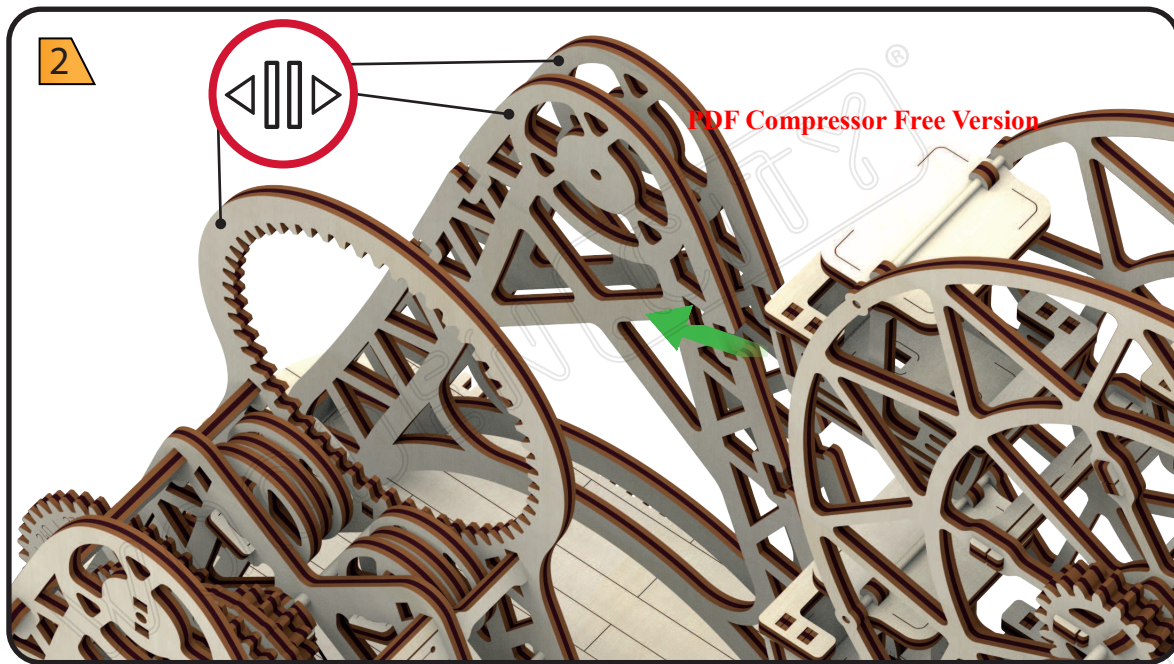
5

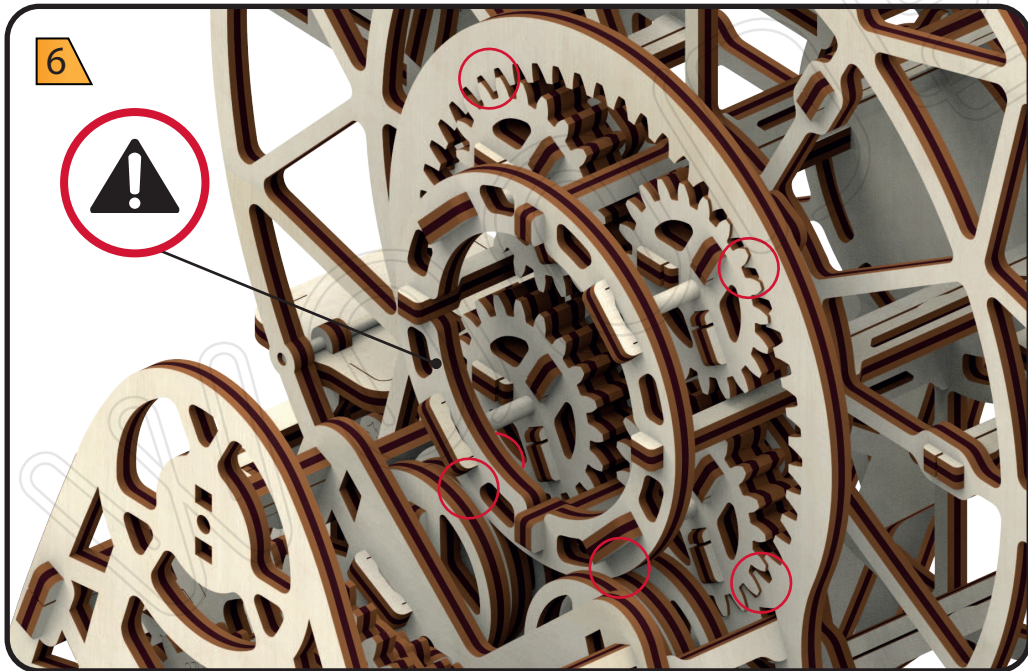
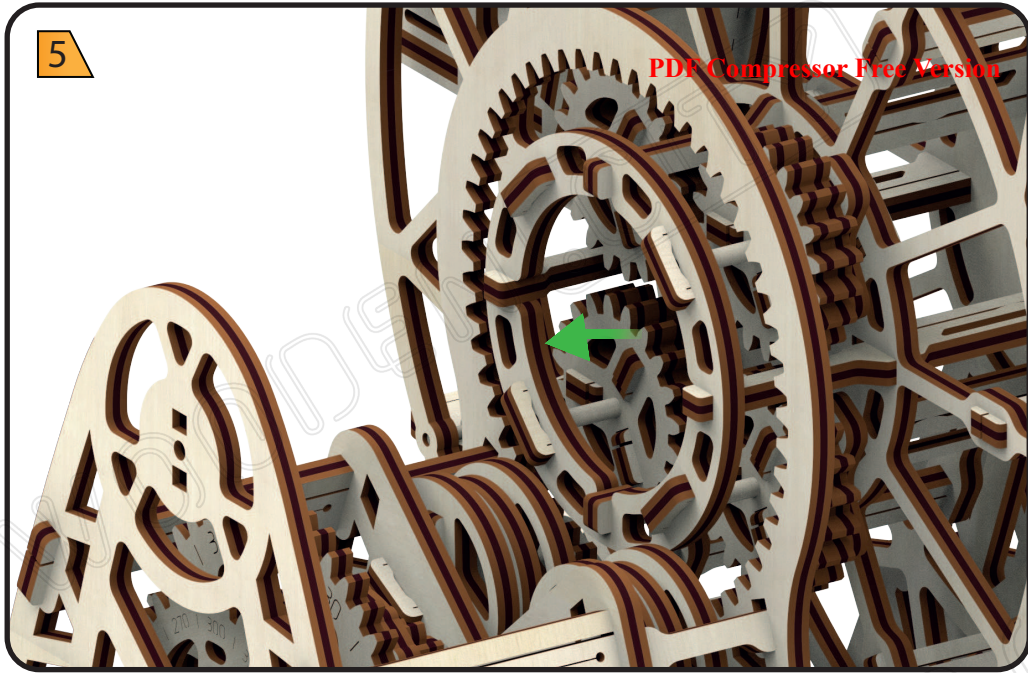
PDF Compressor Free Version



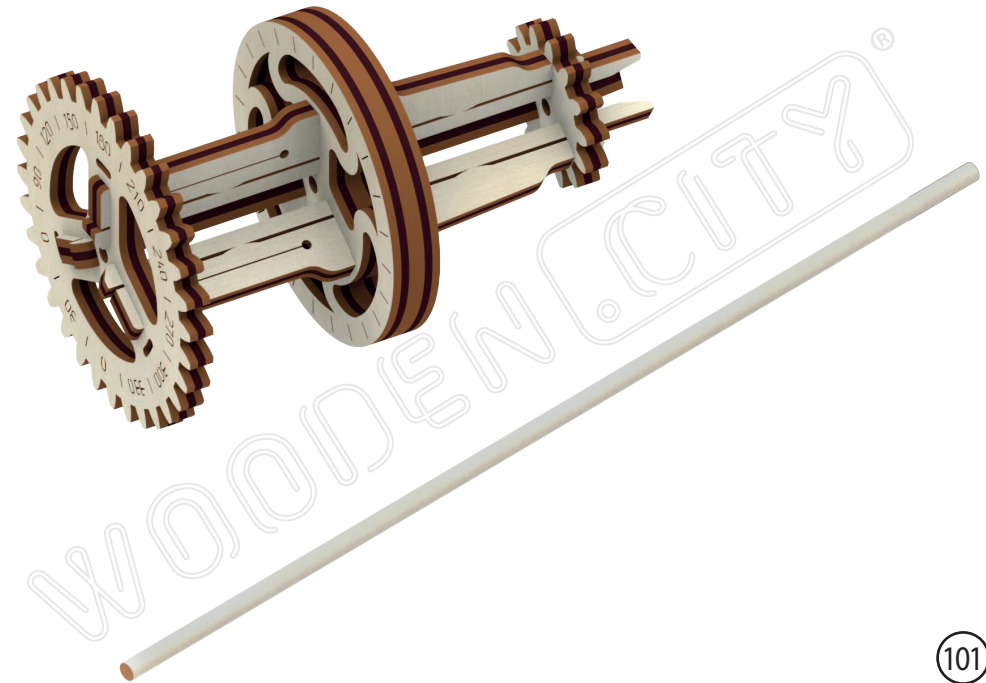
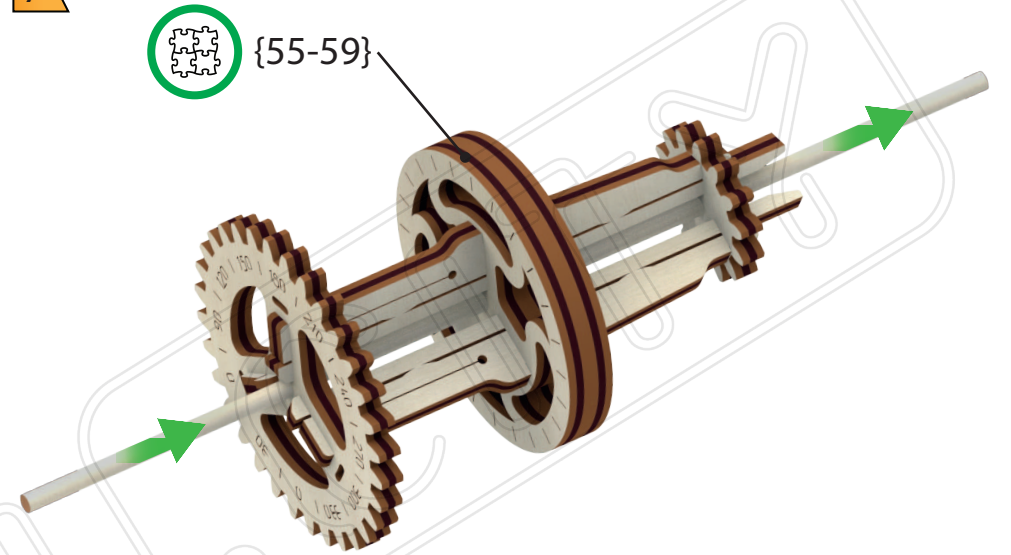
1





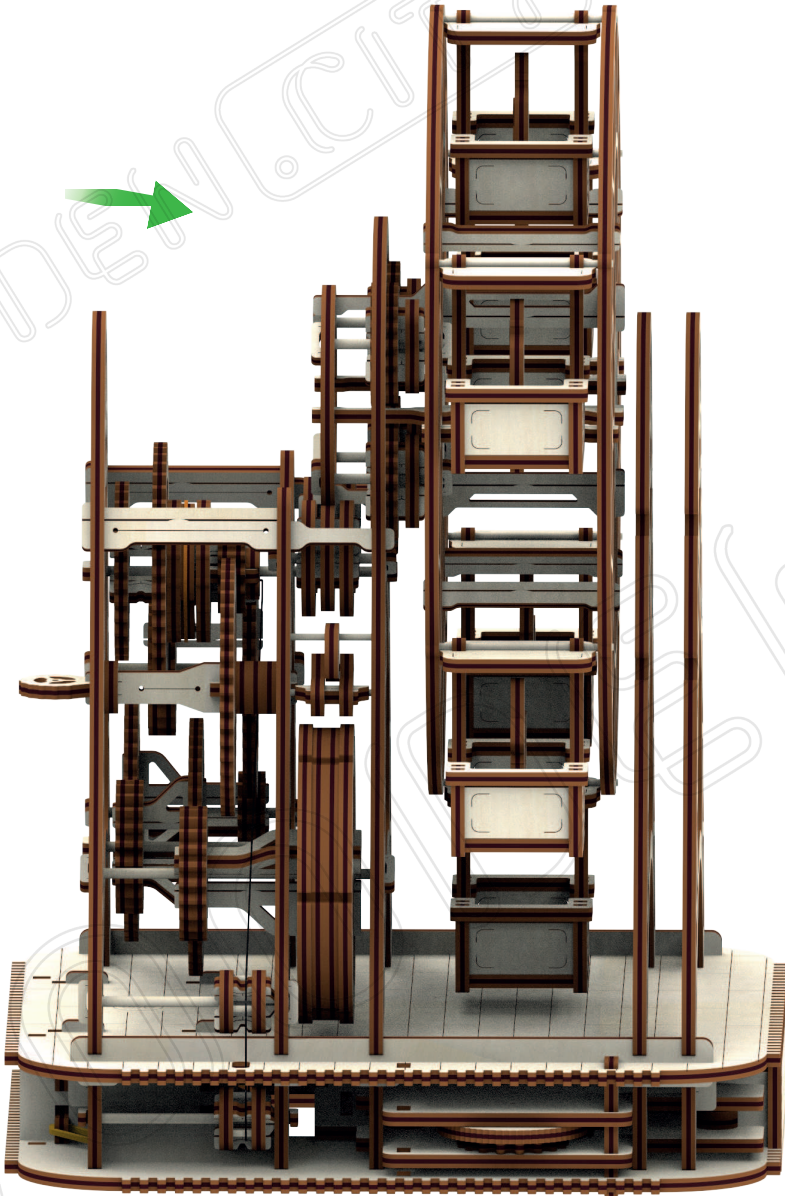
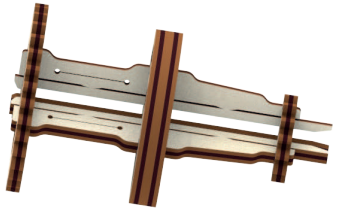


7



8

PDF Compressor Free Version

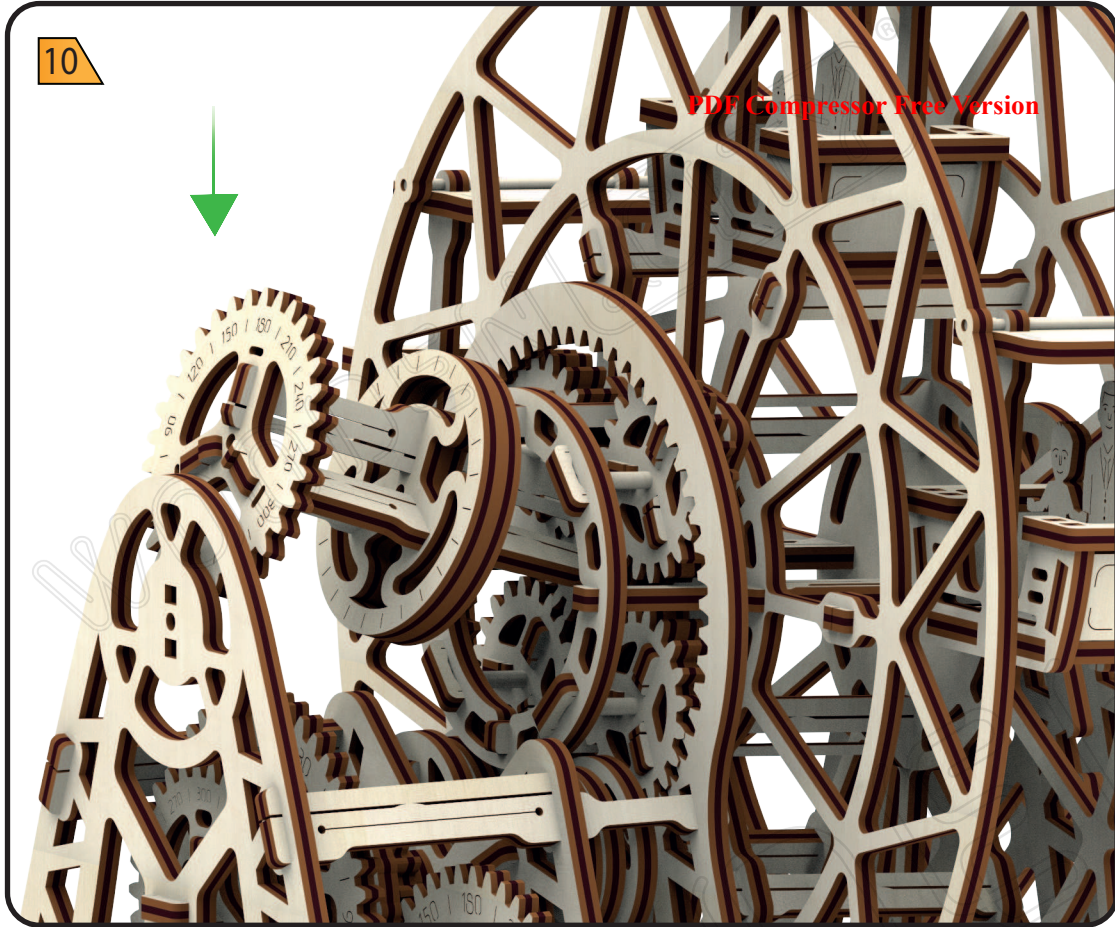


9



10

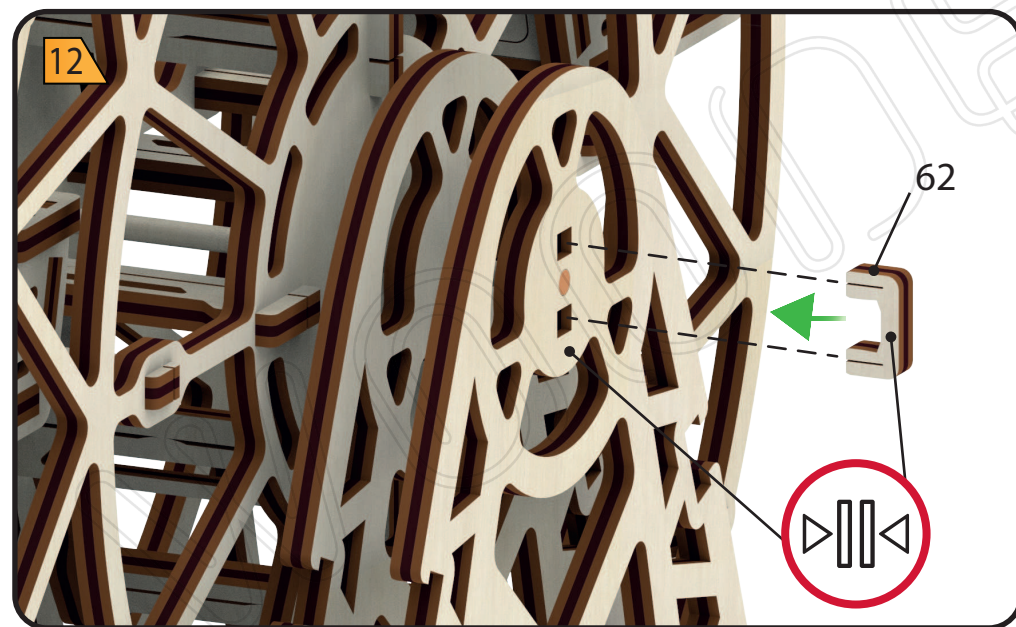
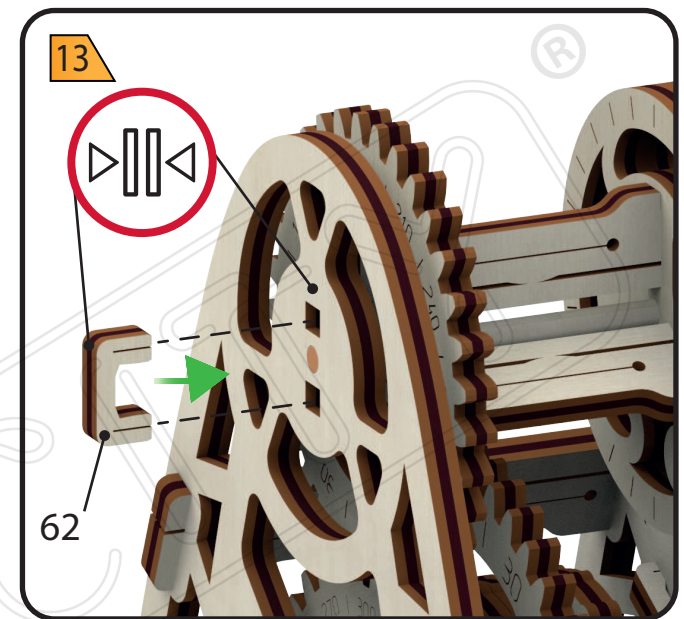
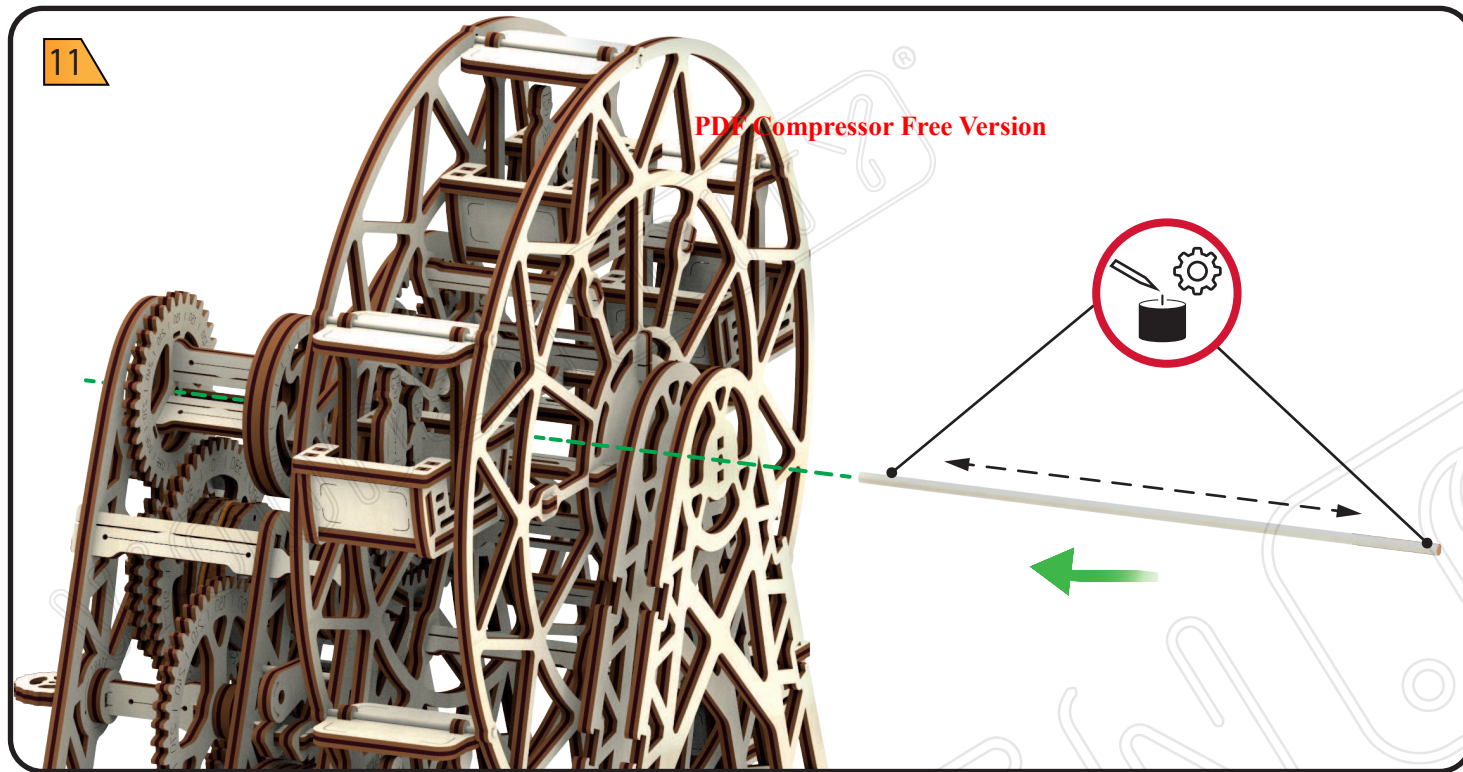
PDF Compressor Free Version

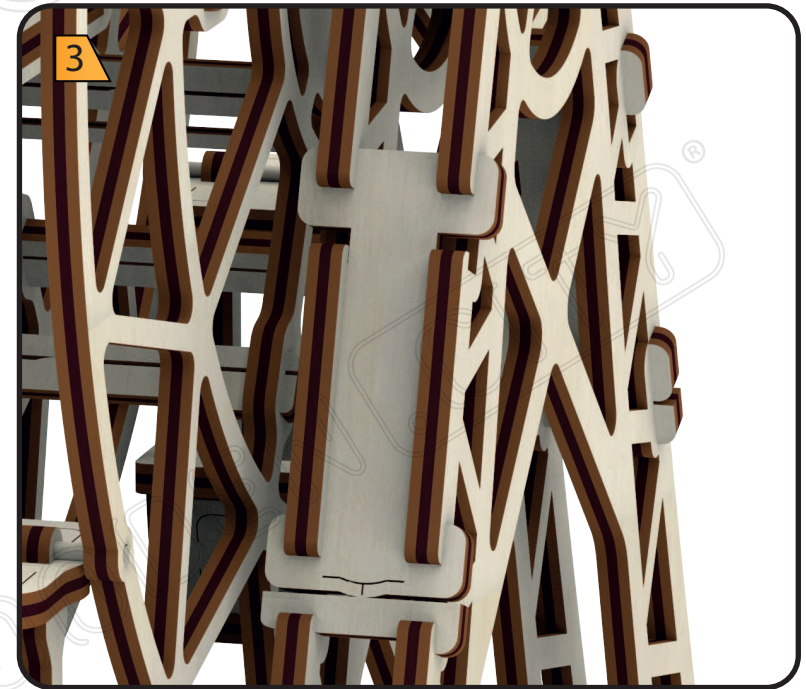
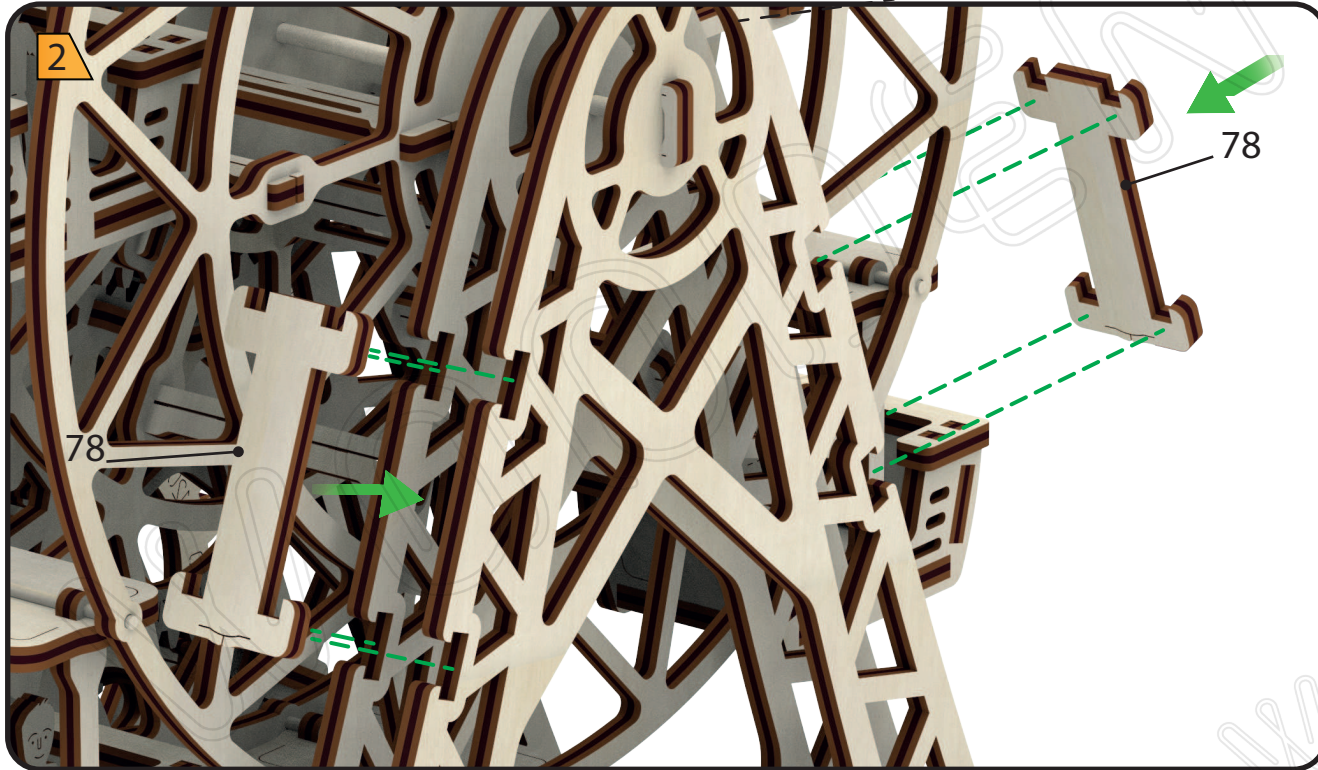
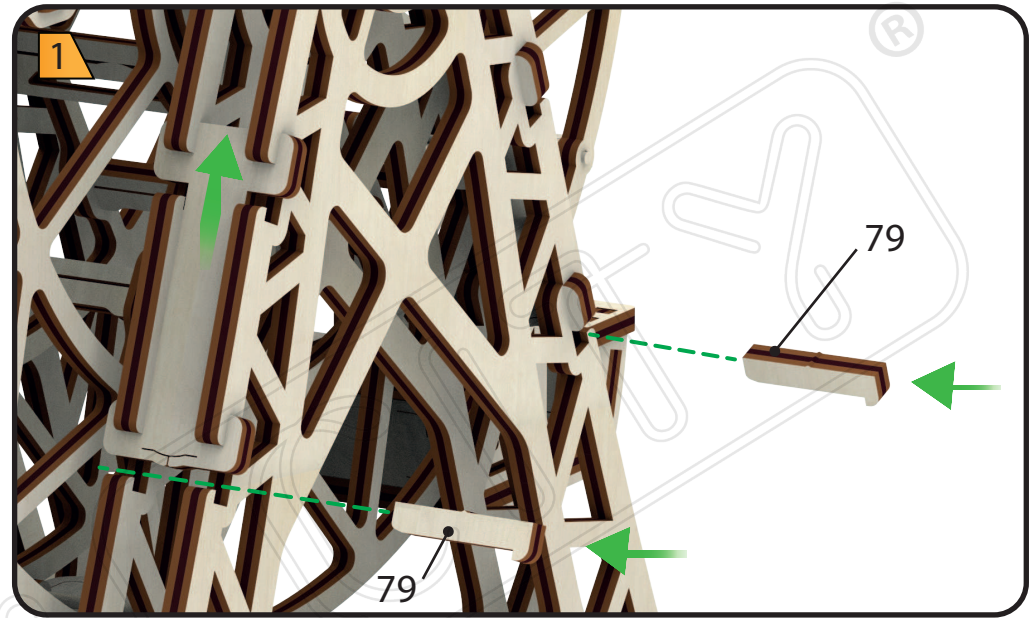
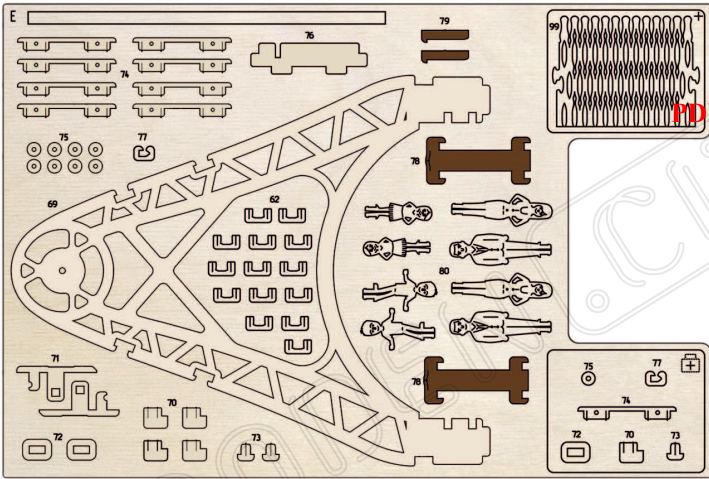


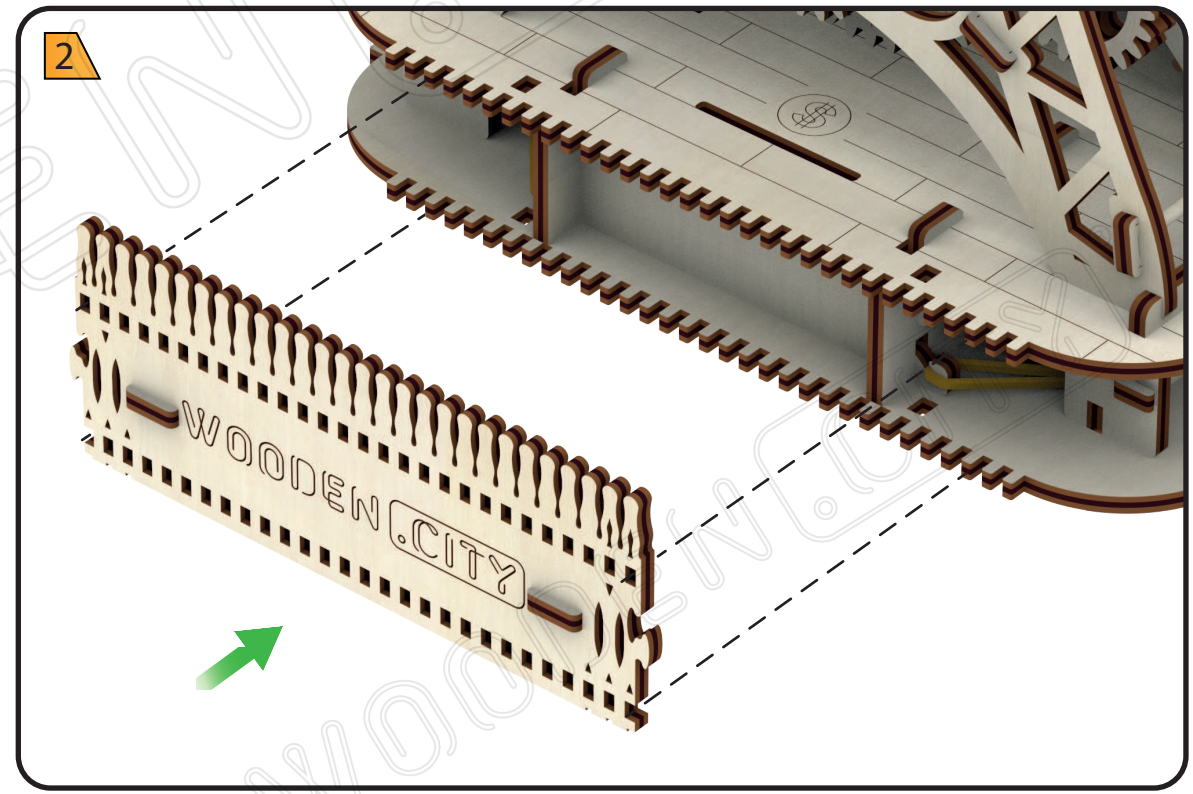
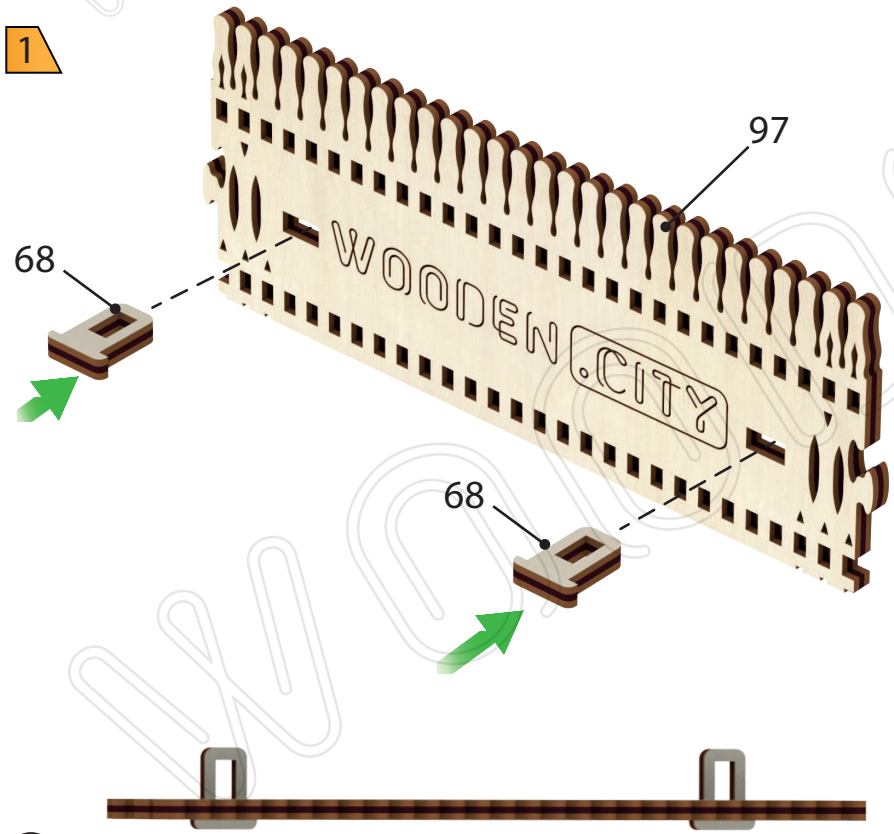
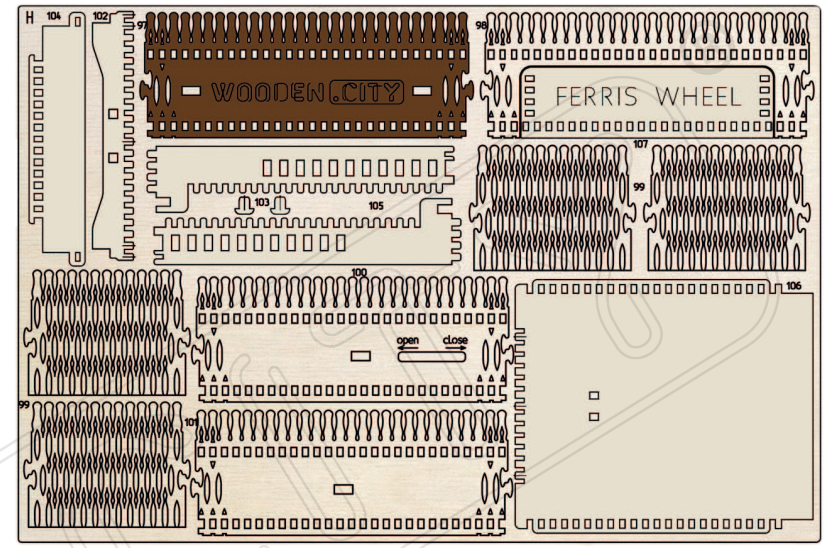
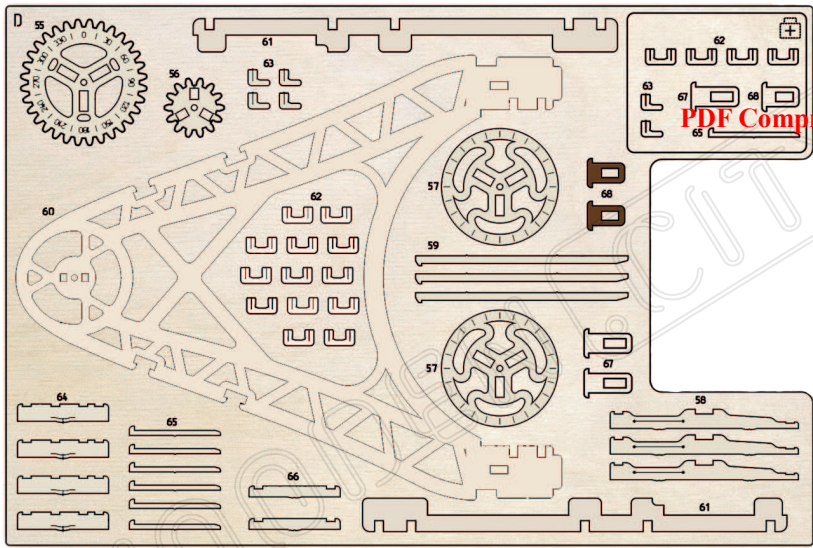
11



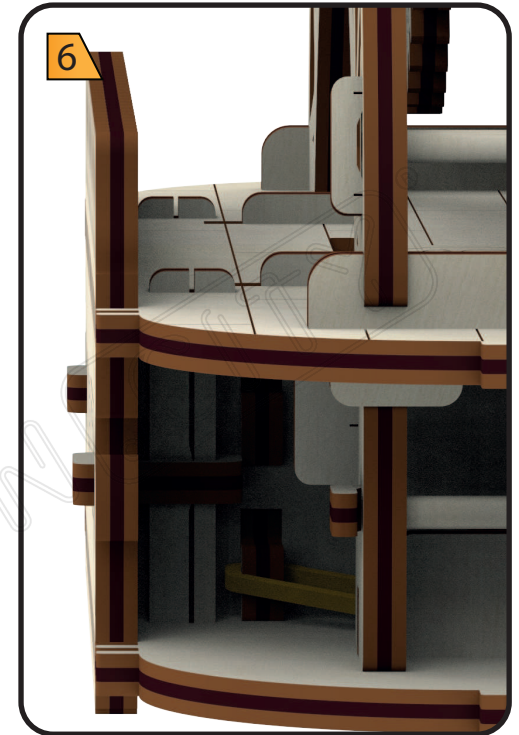
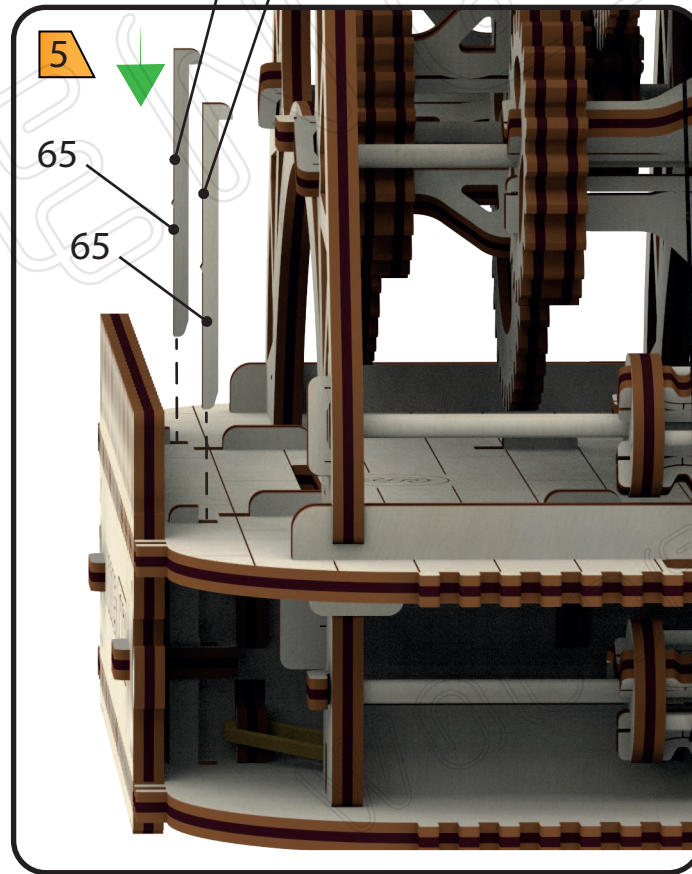
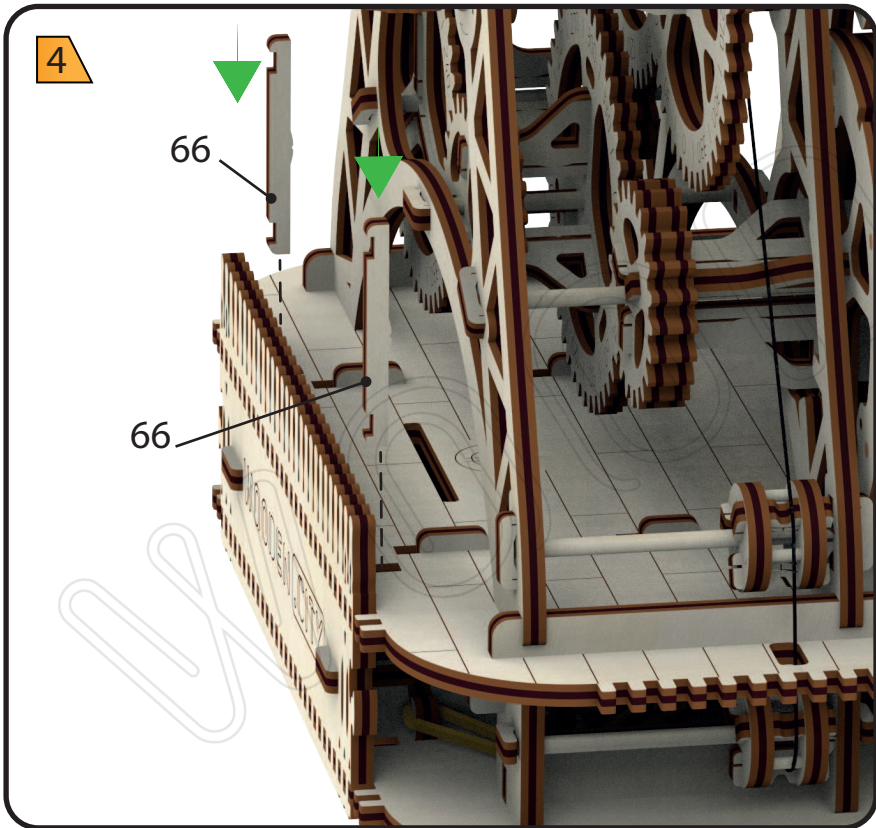
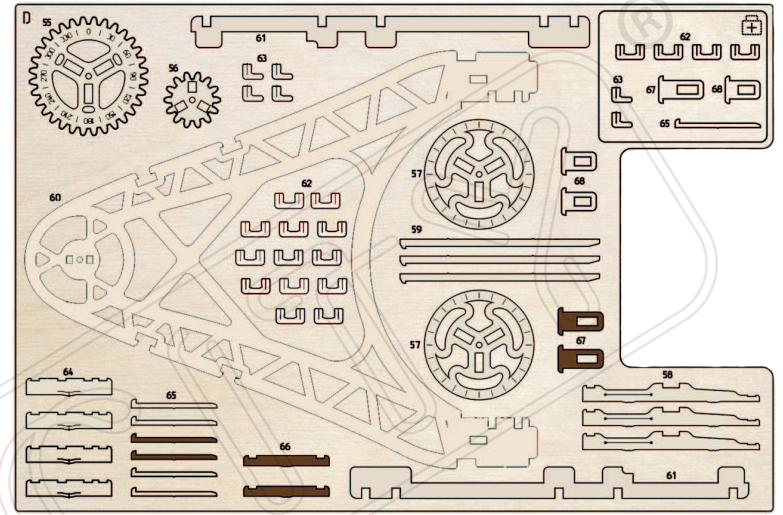
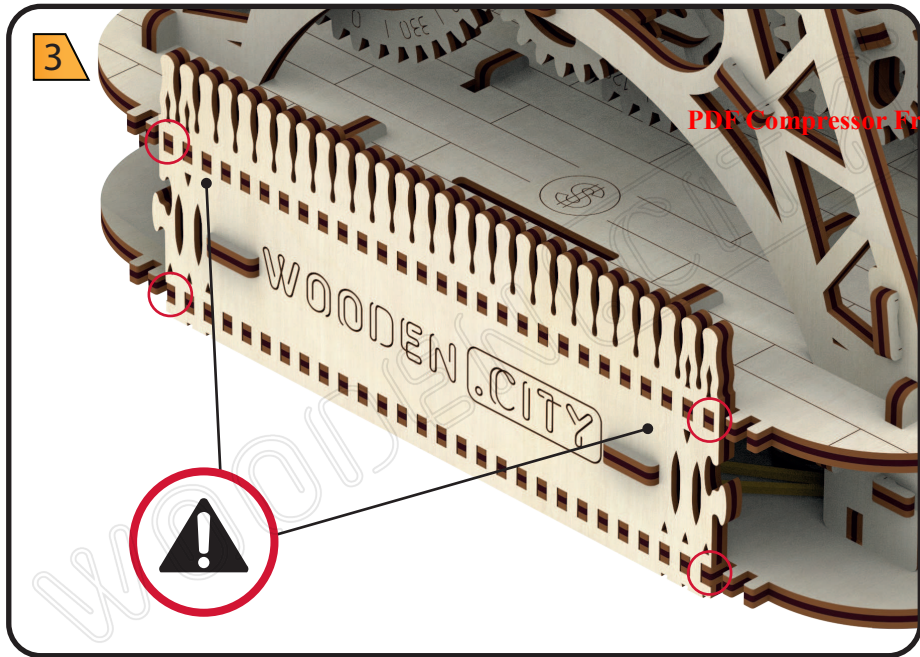




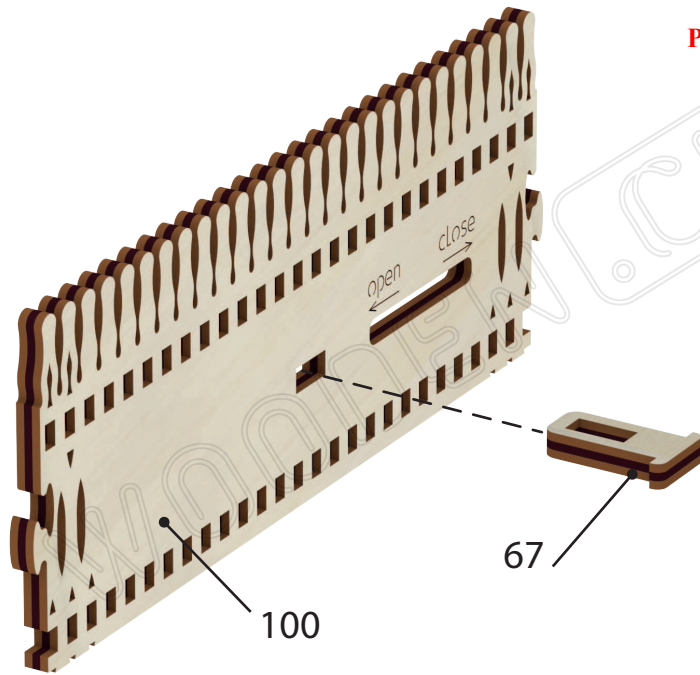




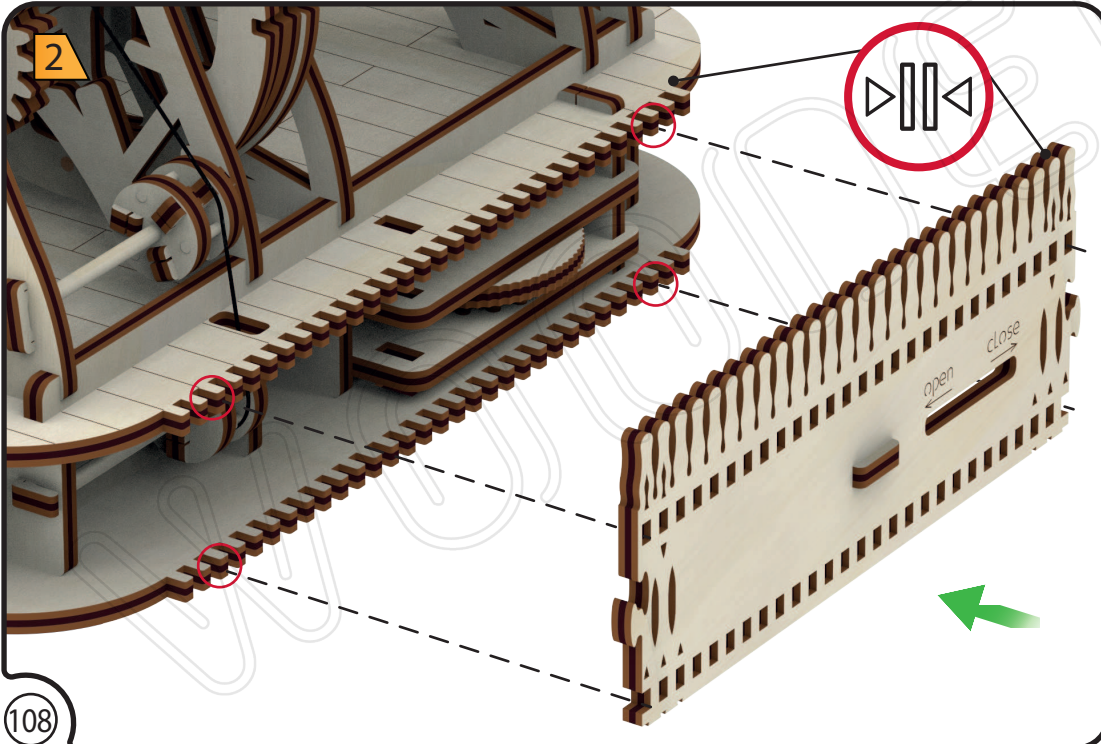
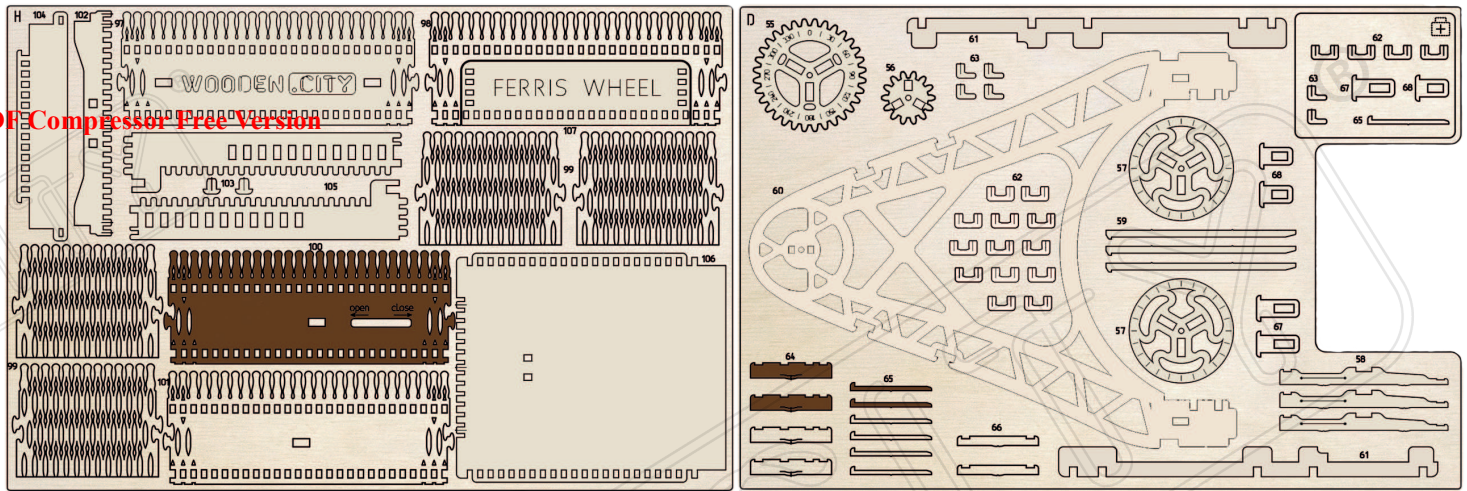
PDF Compressor Free Version



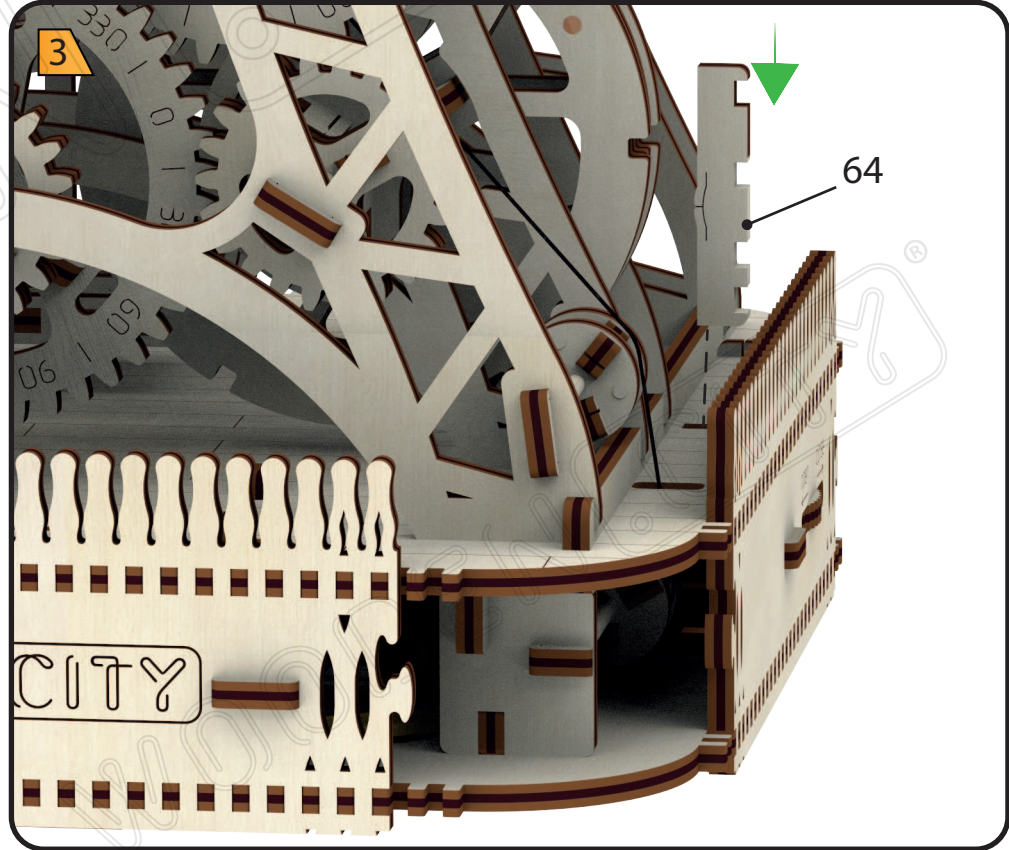
1



PDF Compressor Free Version

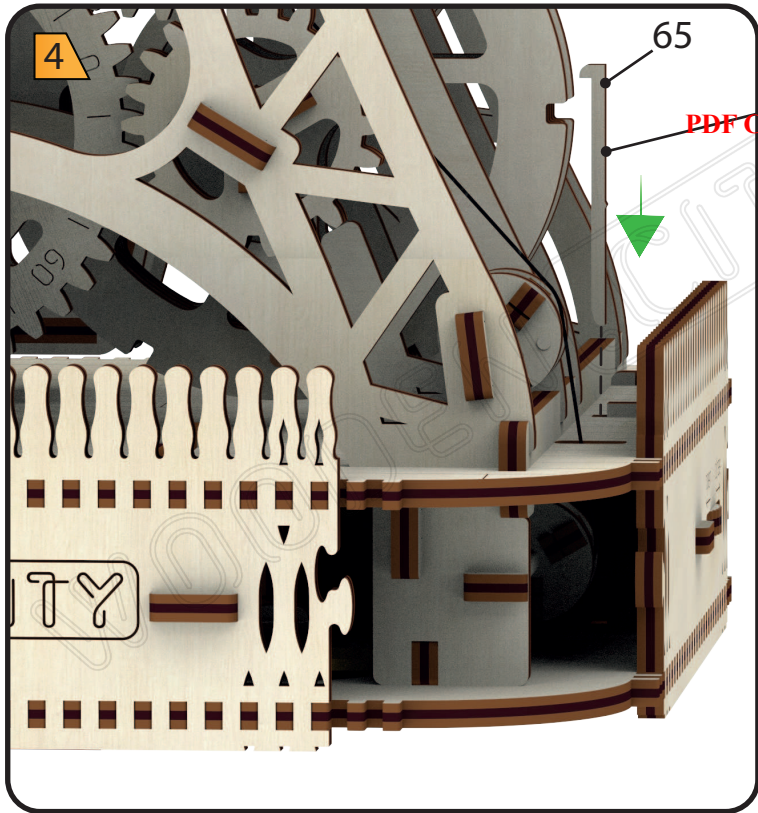


108

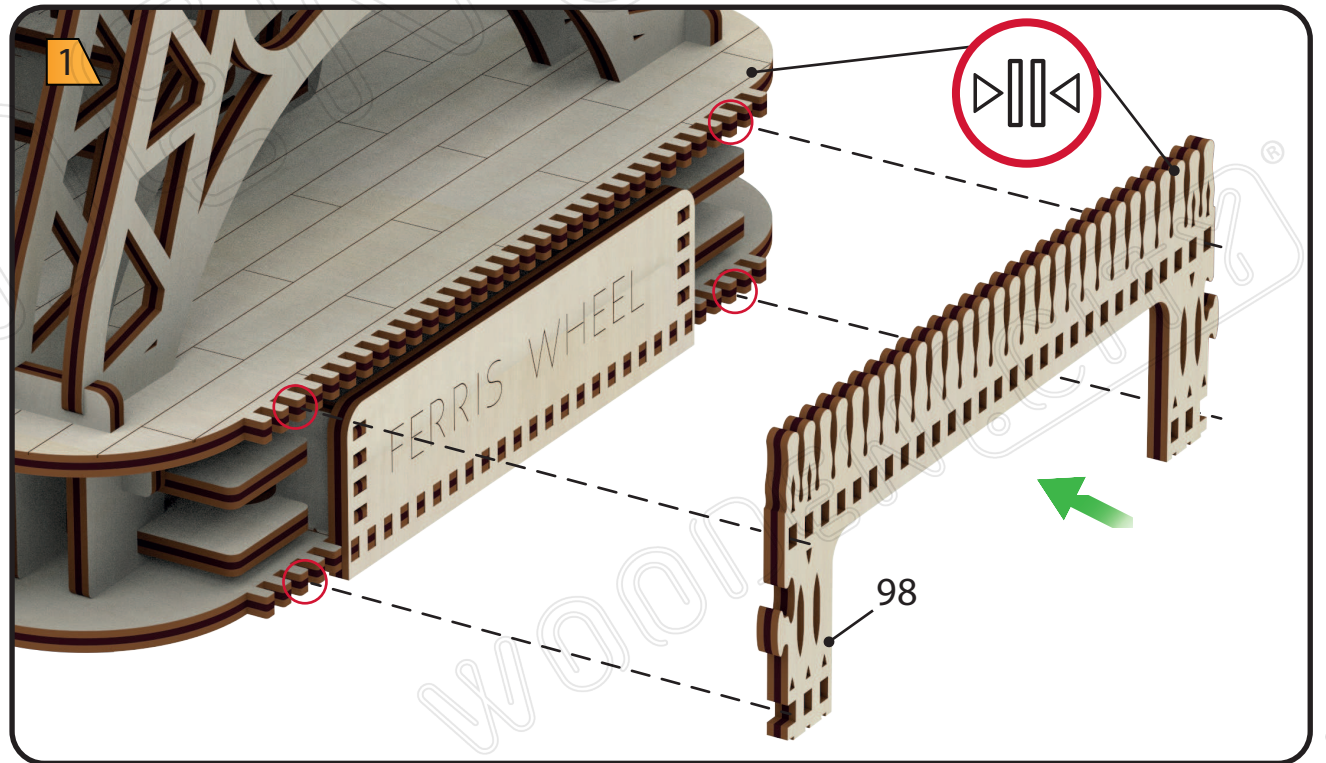
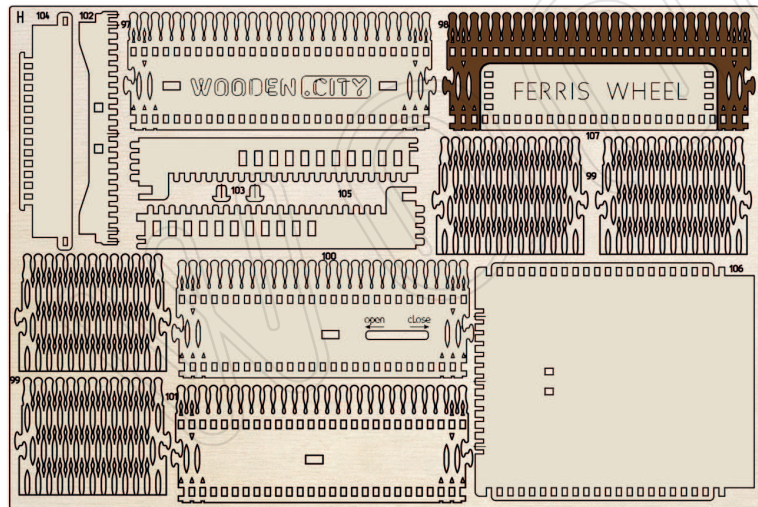
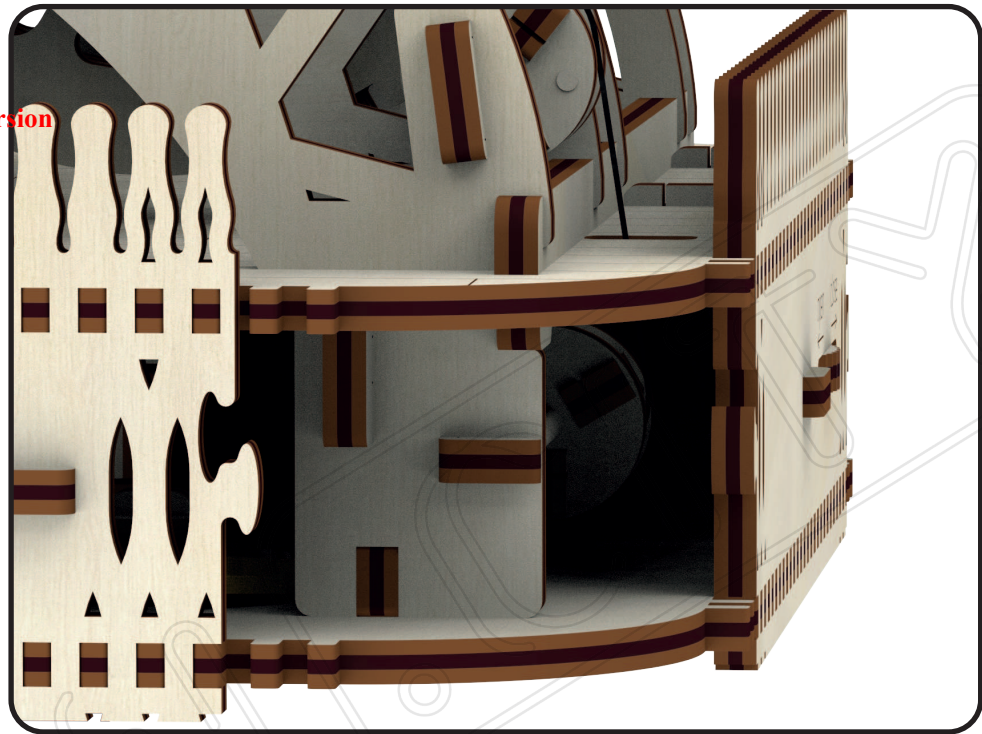


3

64



PDF Compressor Free Version

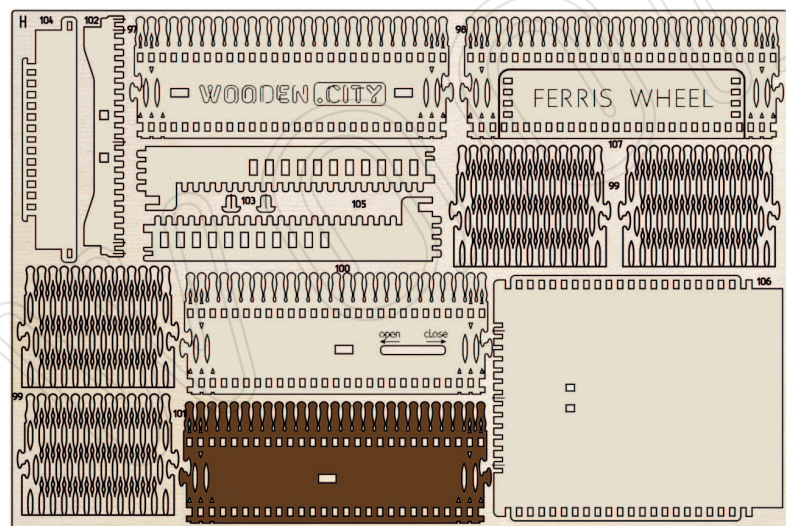


2

PDF Compressor Free Version

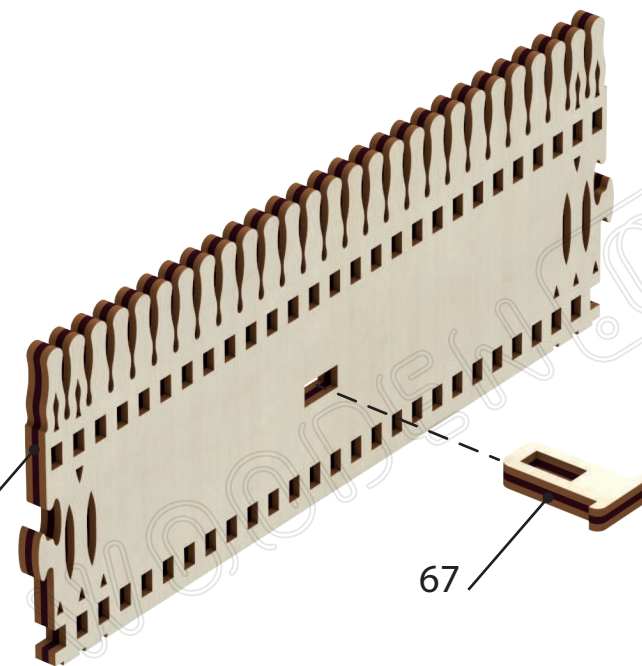


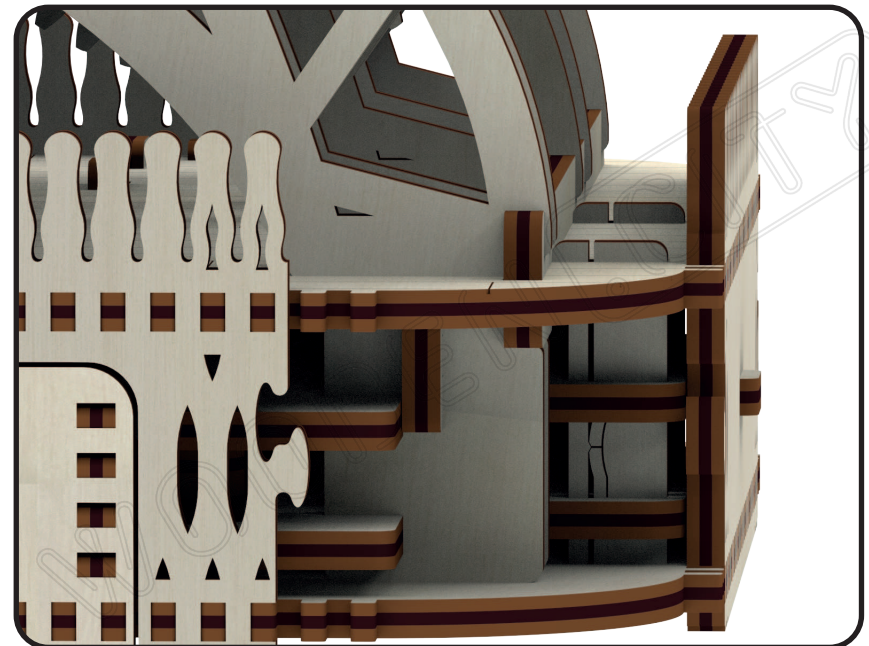
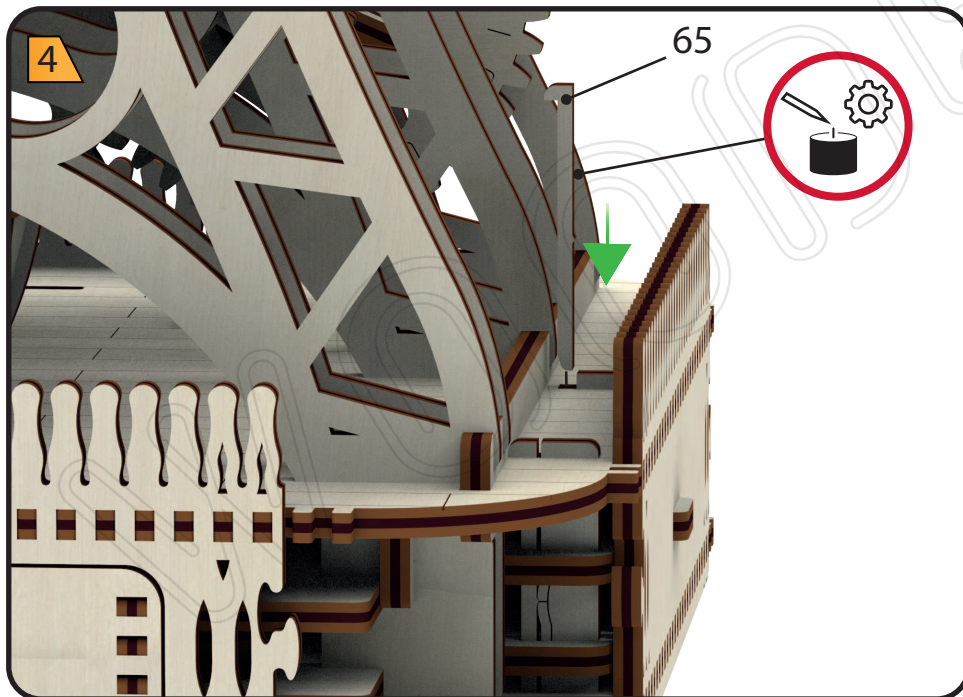
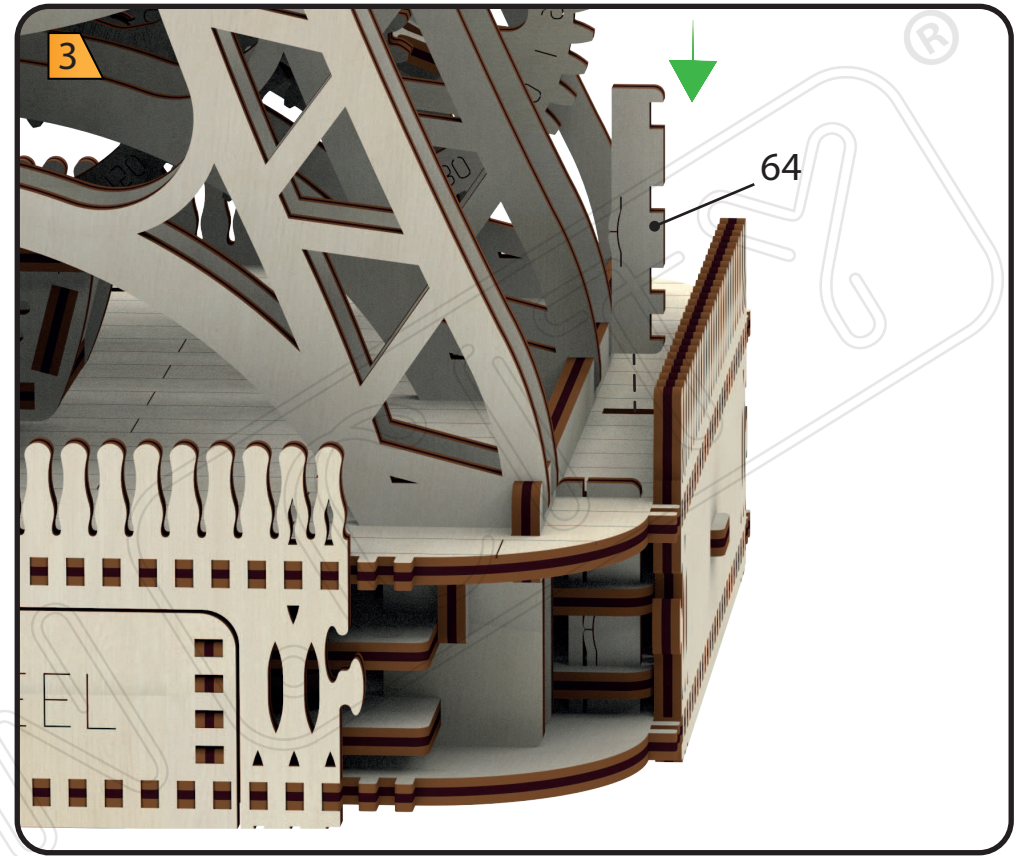
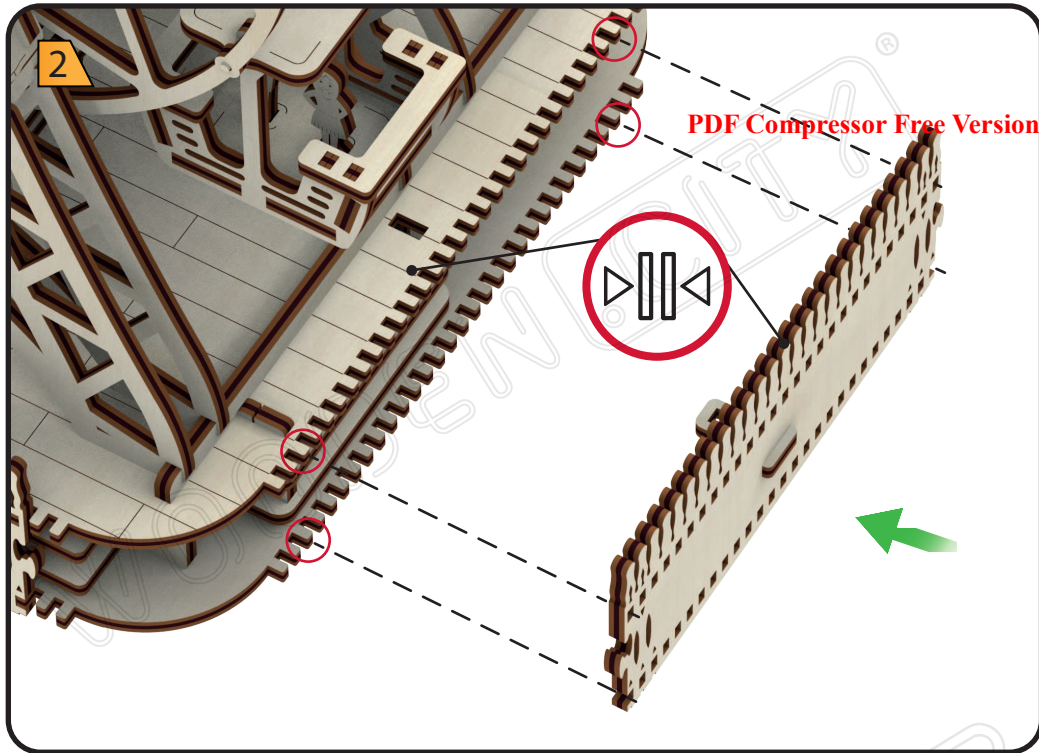
1



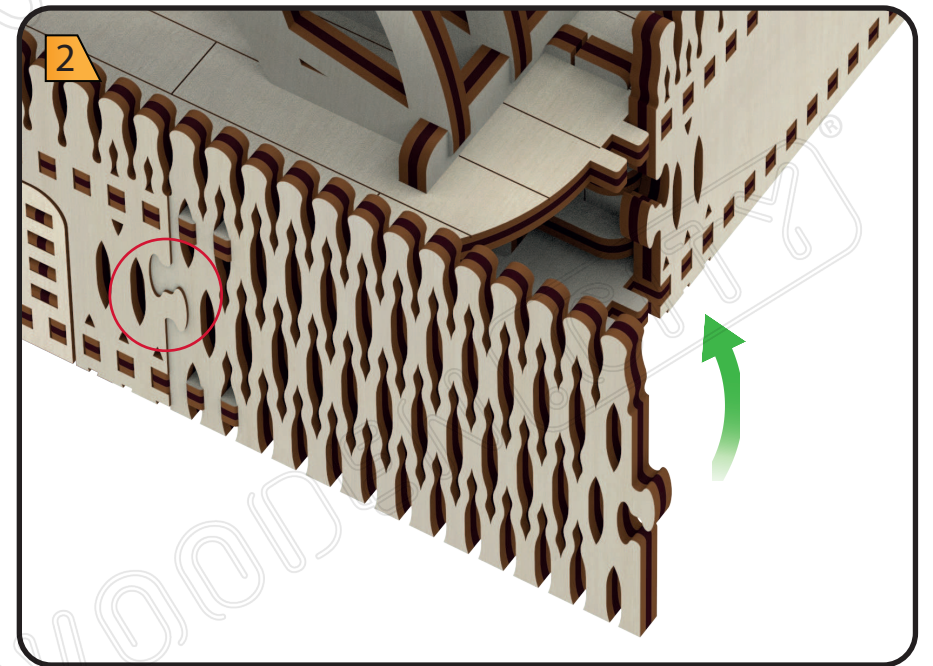
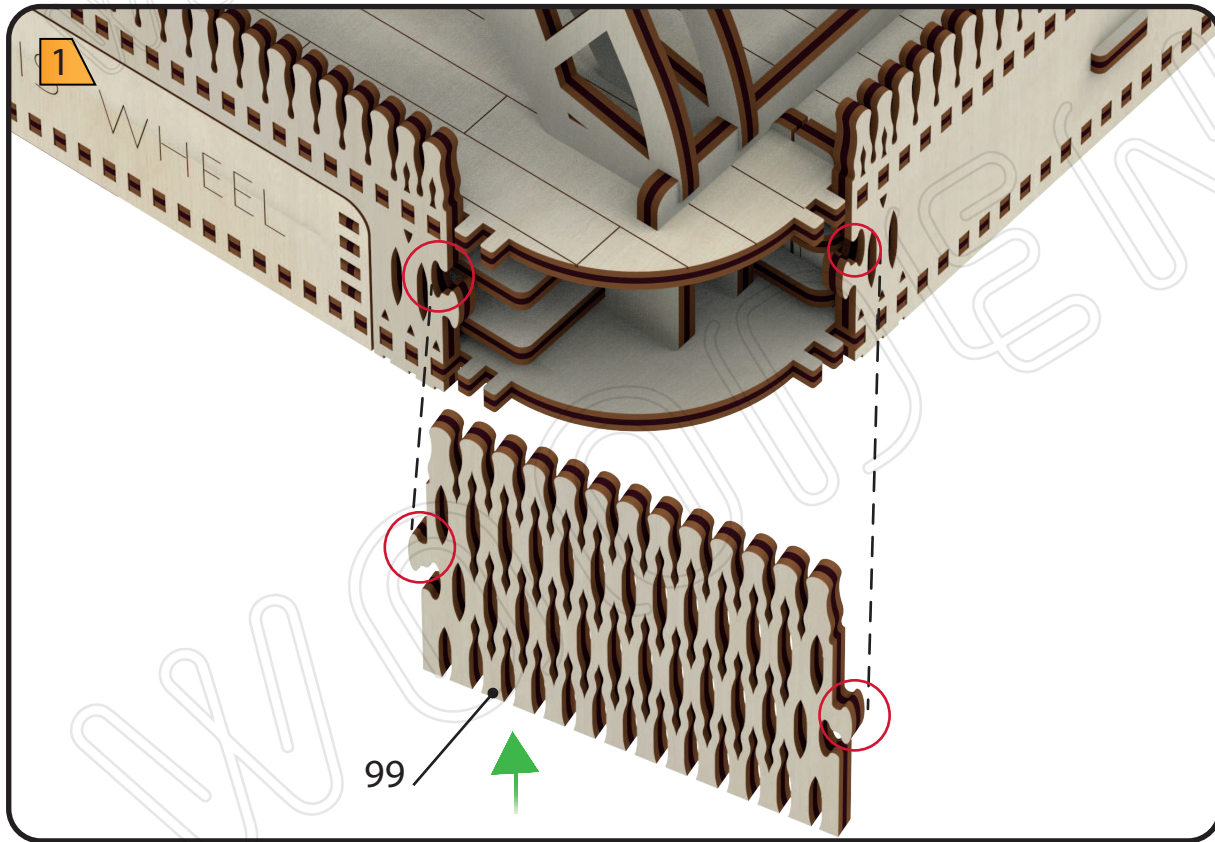
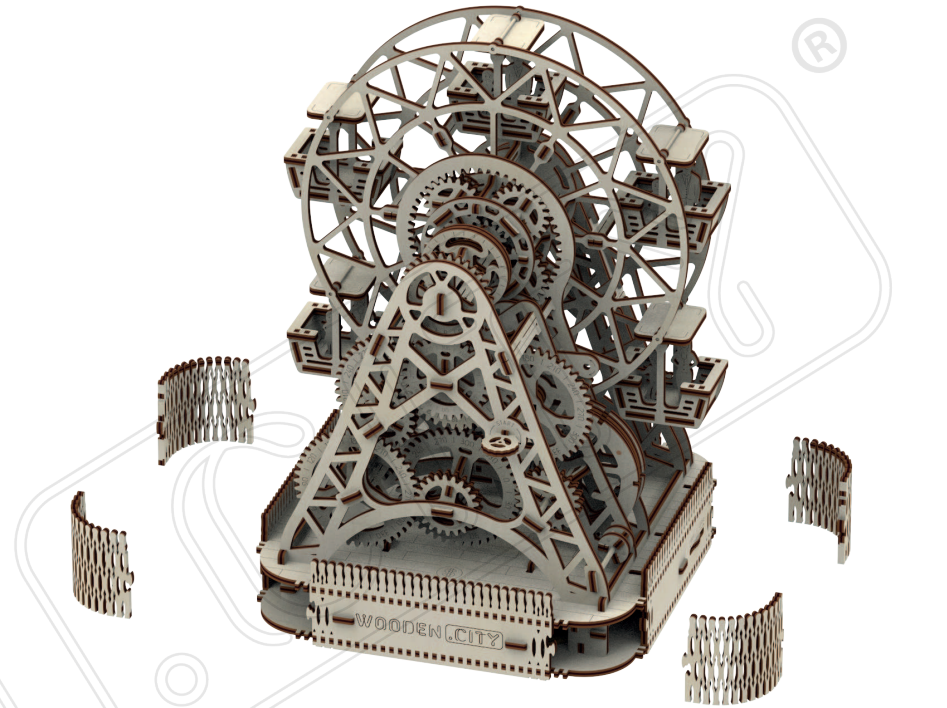
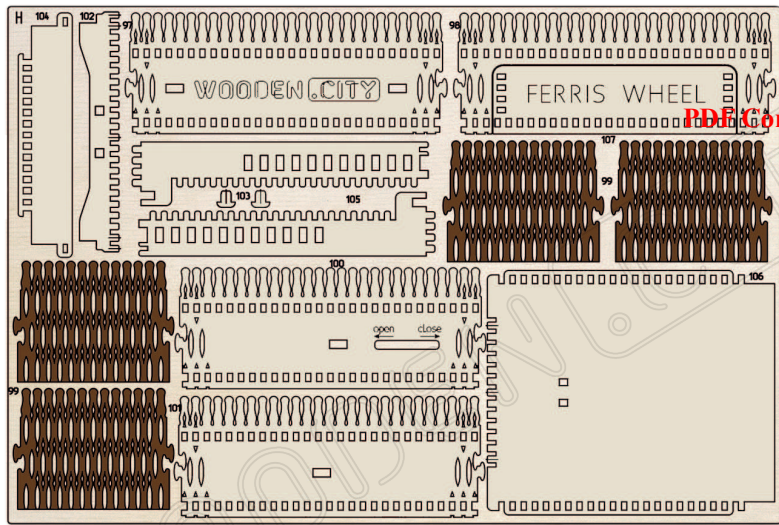
101

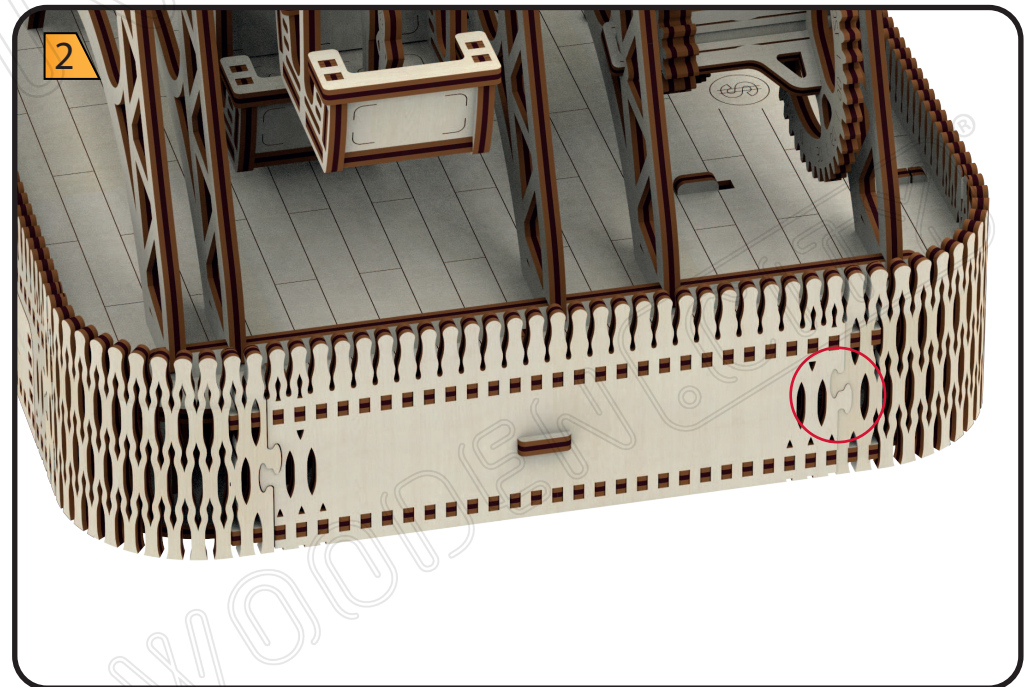
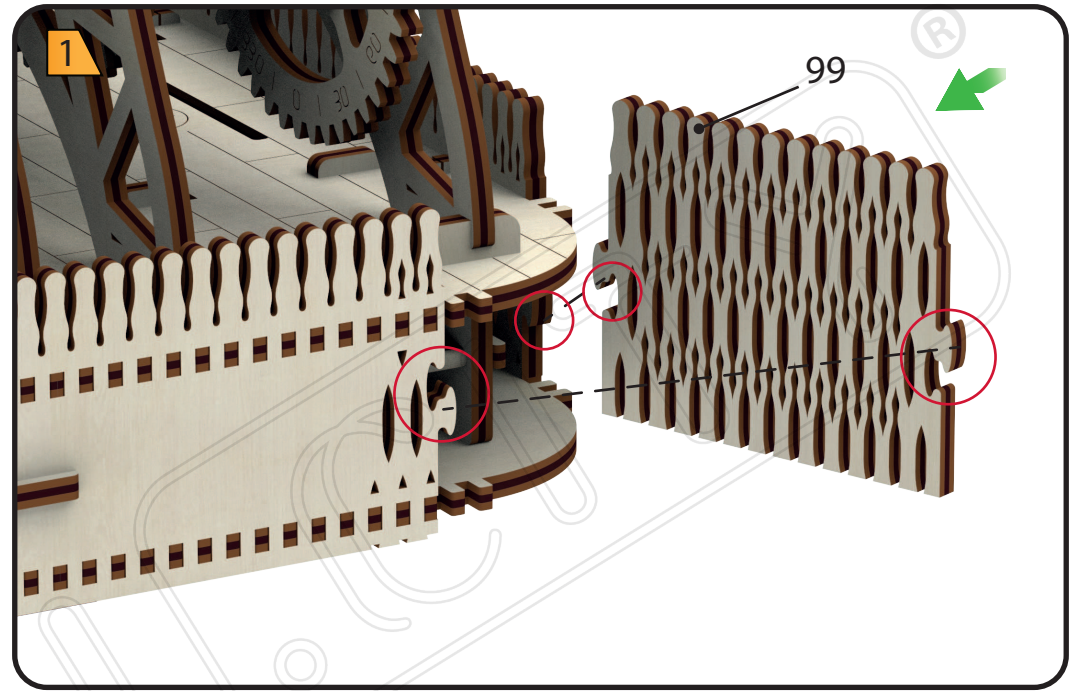
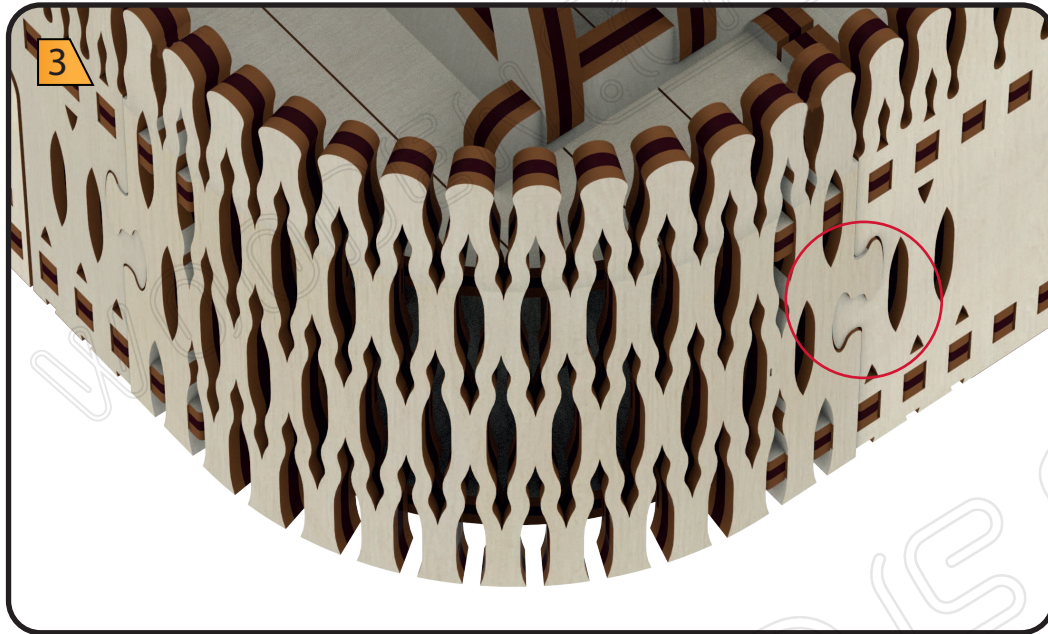
67

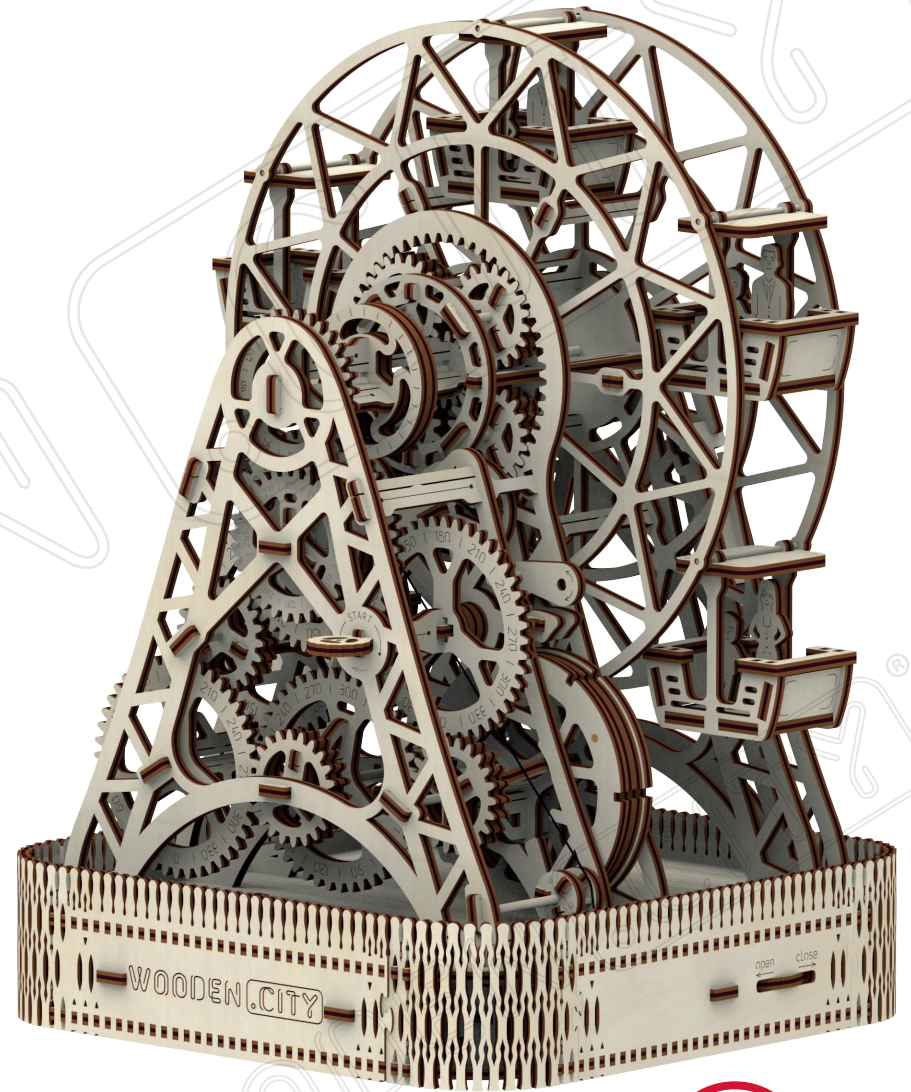
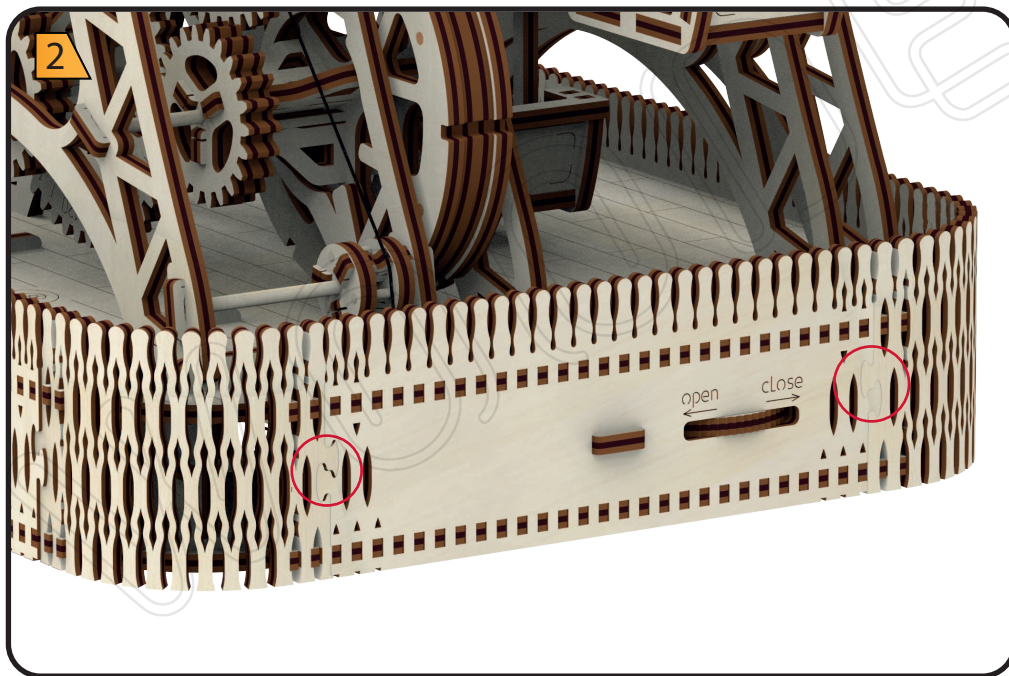
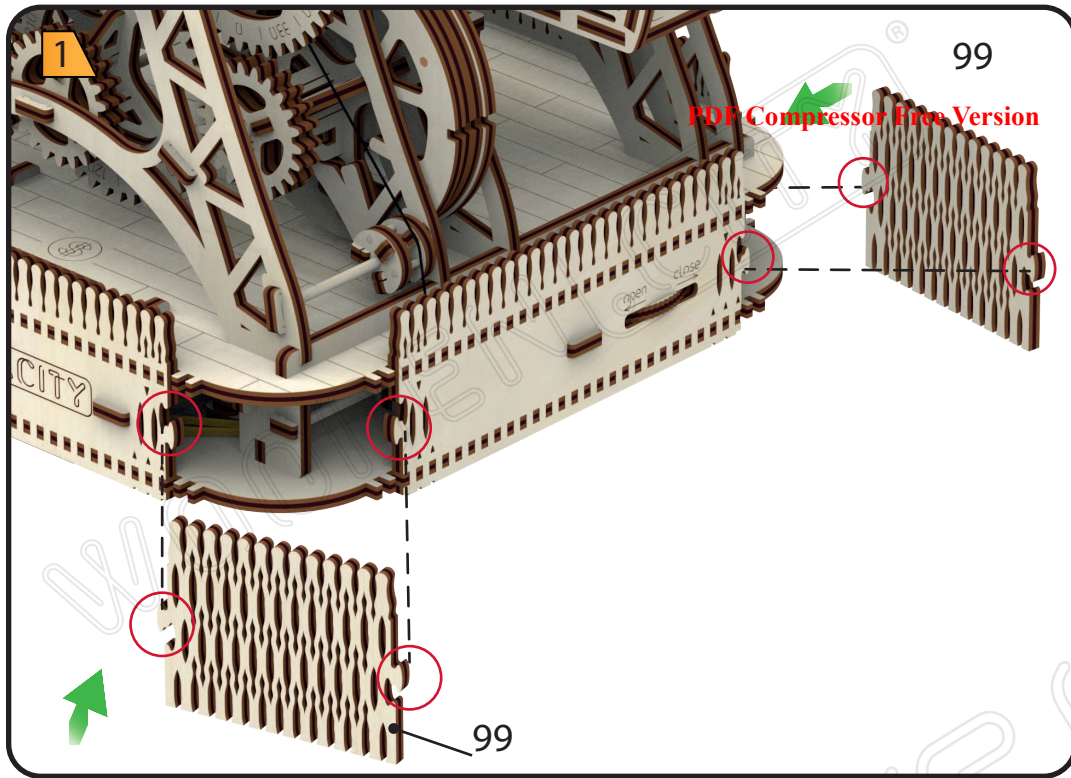




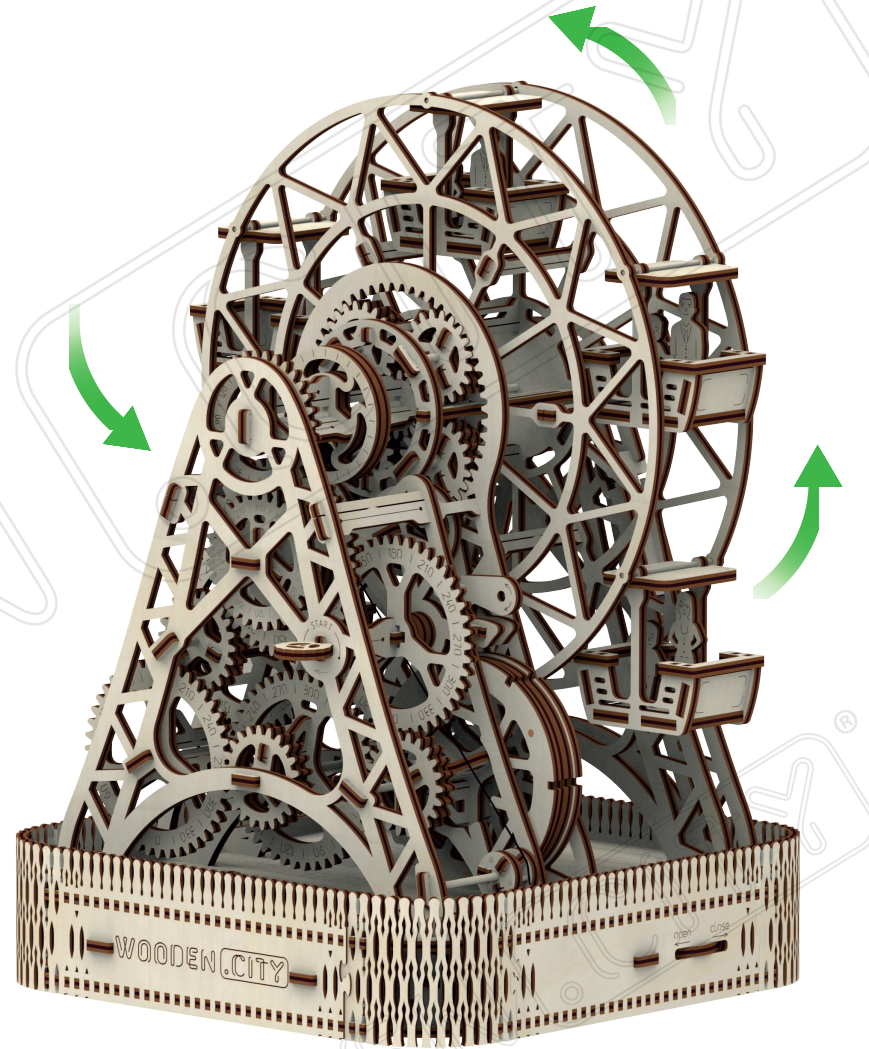
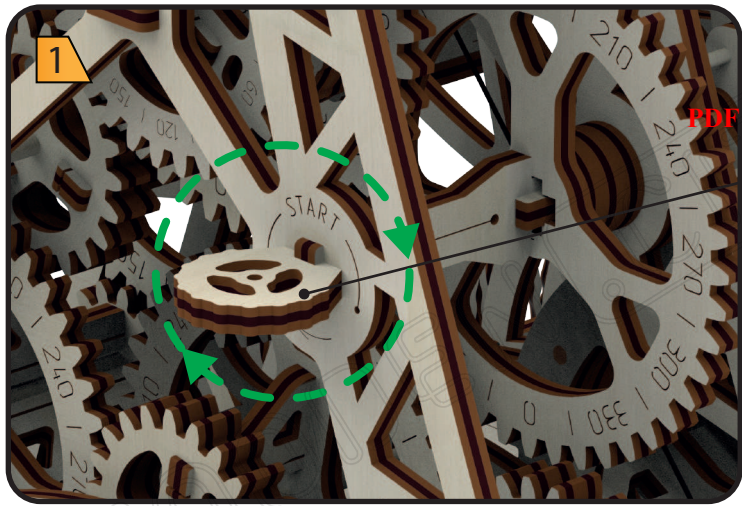


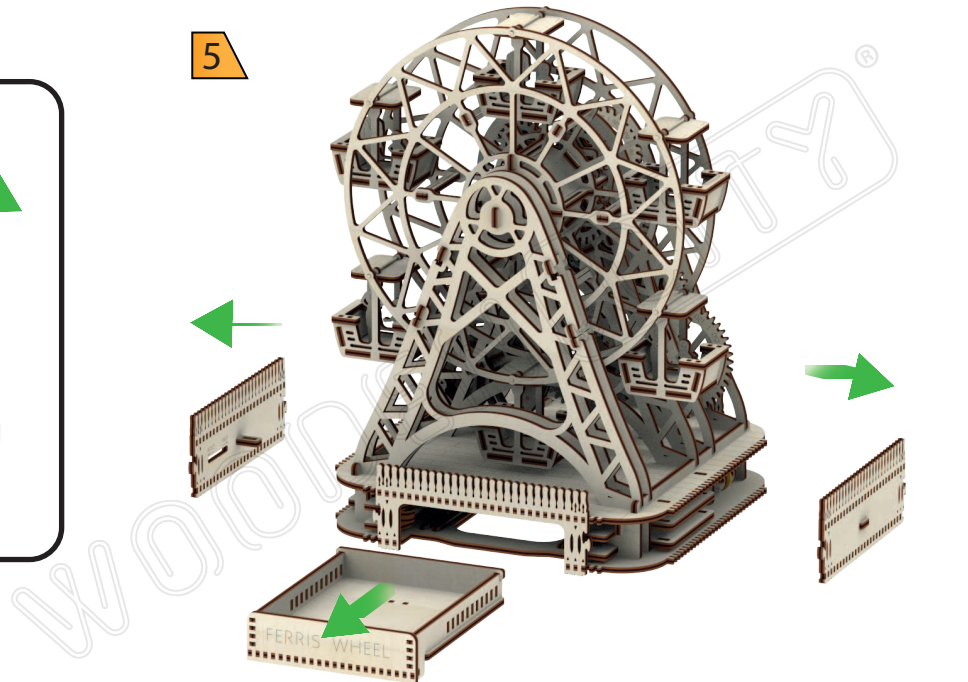
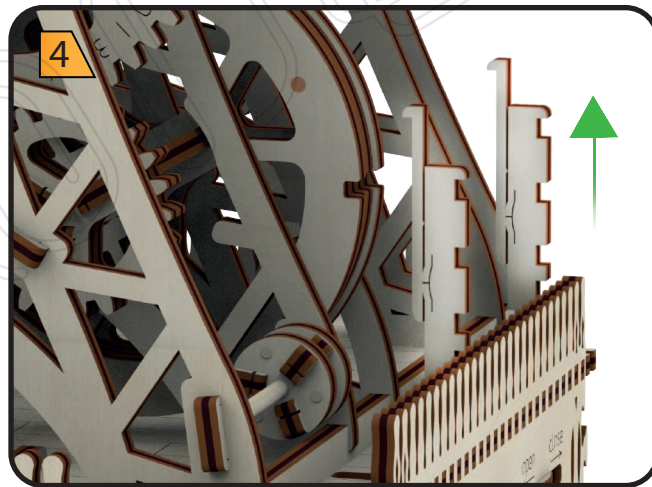
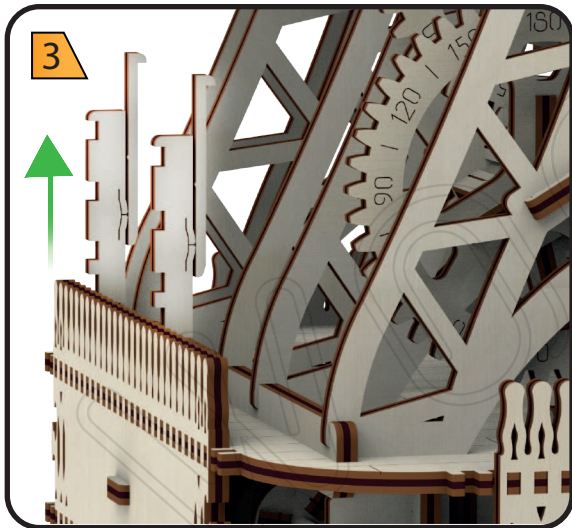
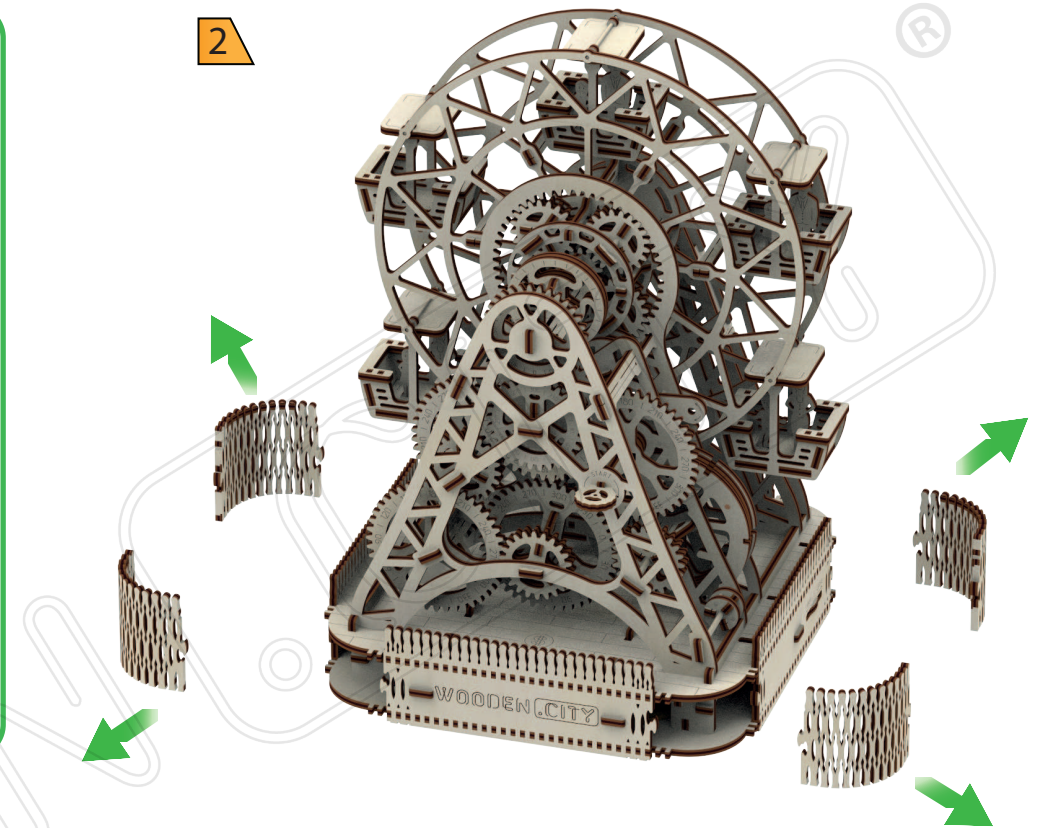
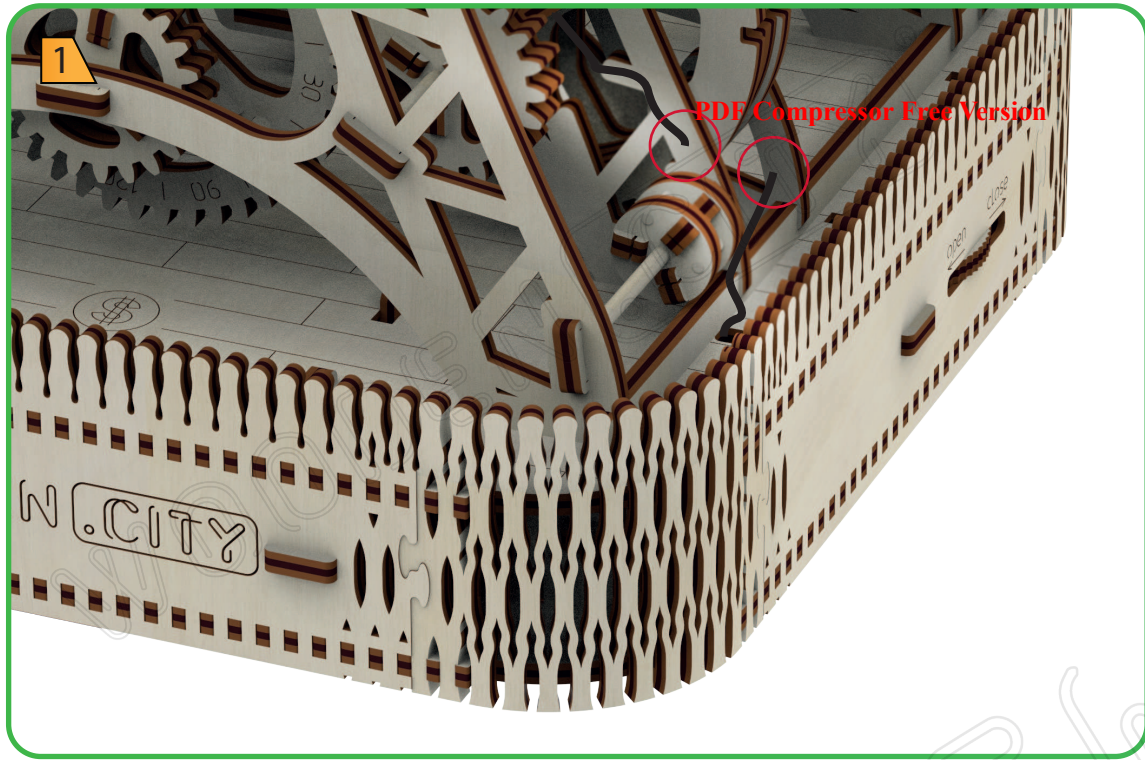


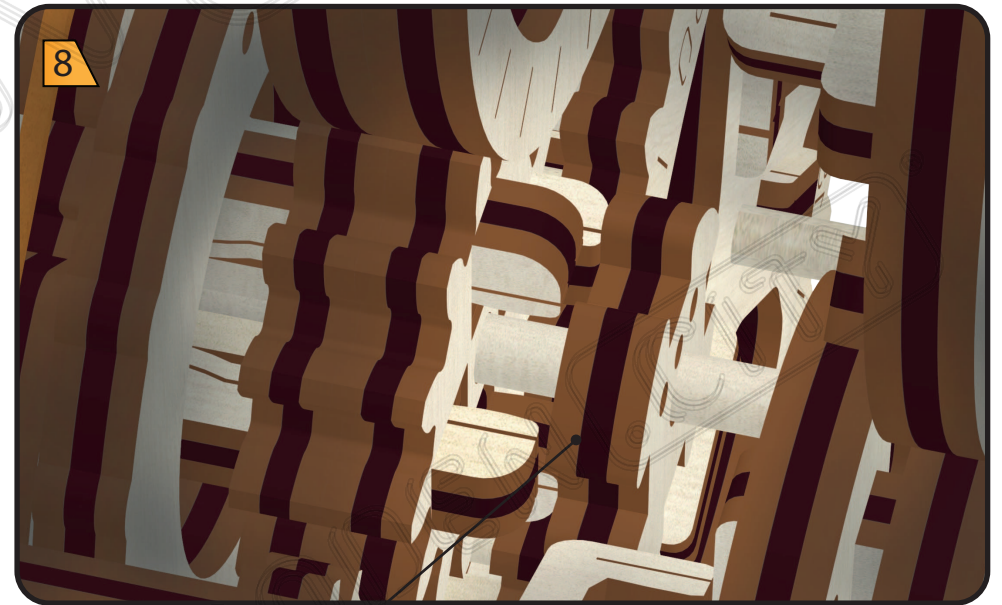
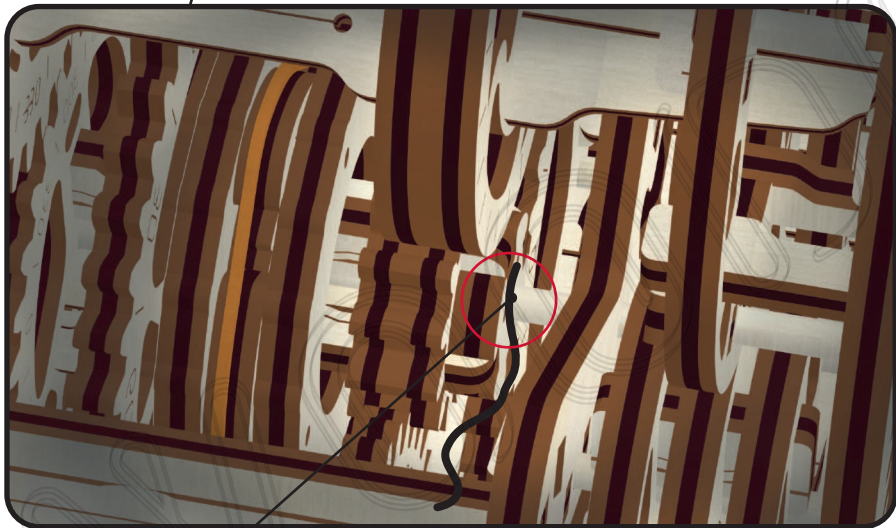
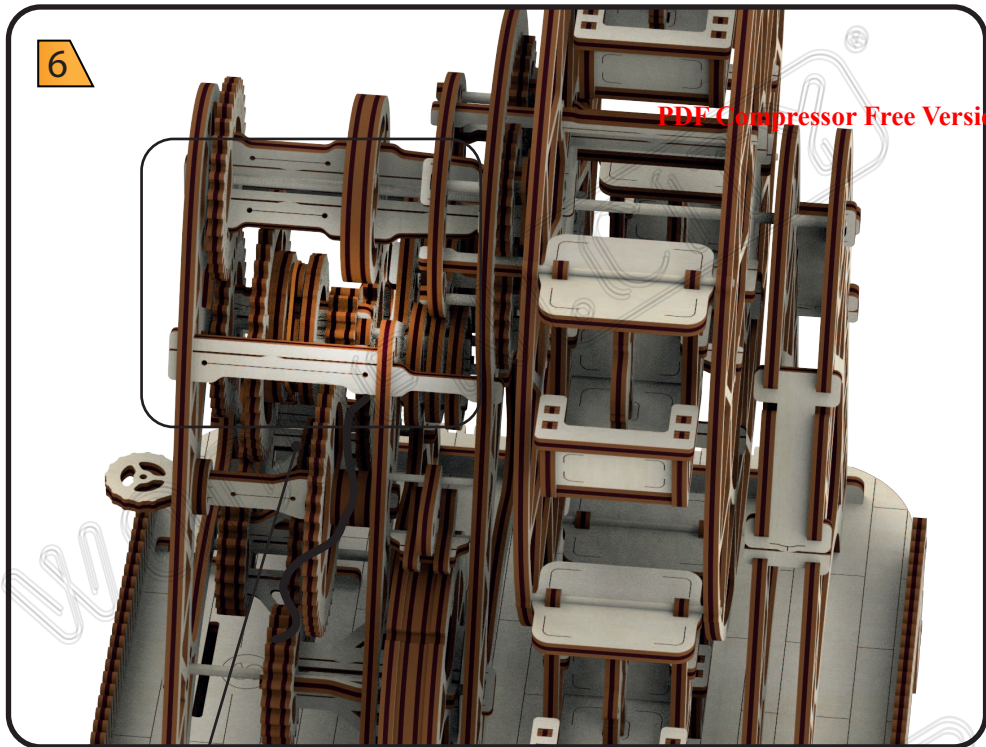


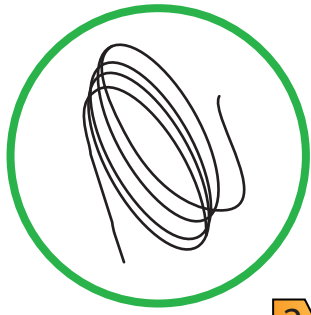


480 min



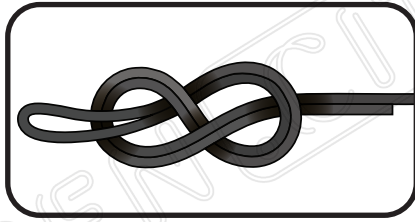




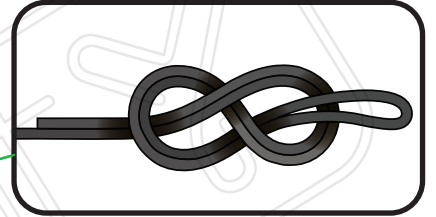


1

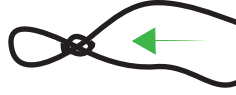
PDF Compressor Free Version



2



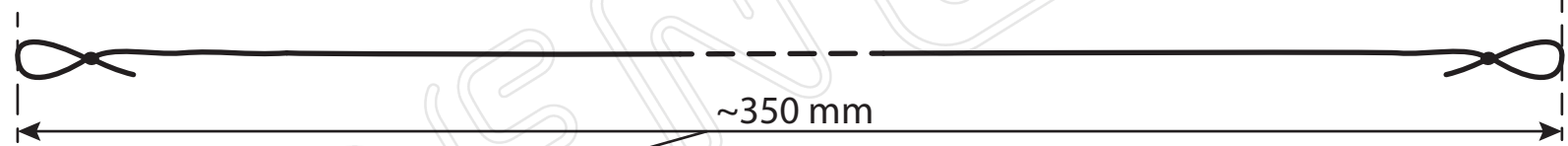
3



4



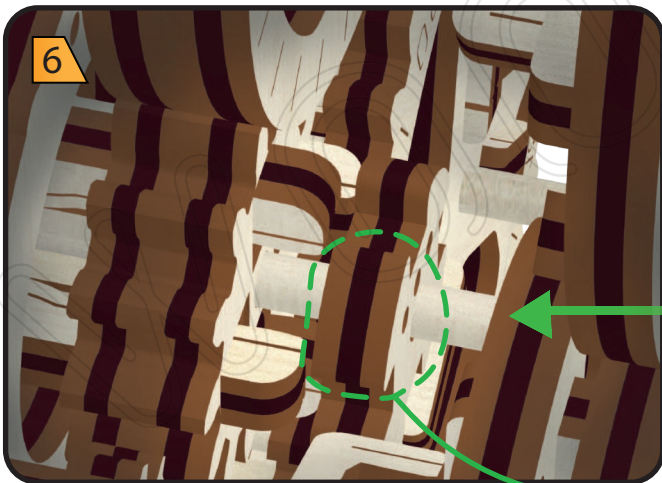
5



~350 mm

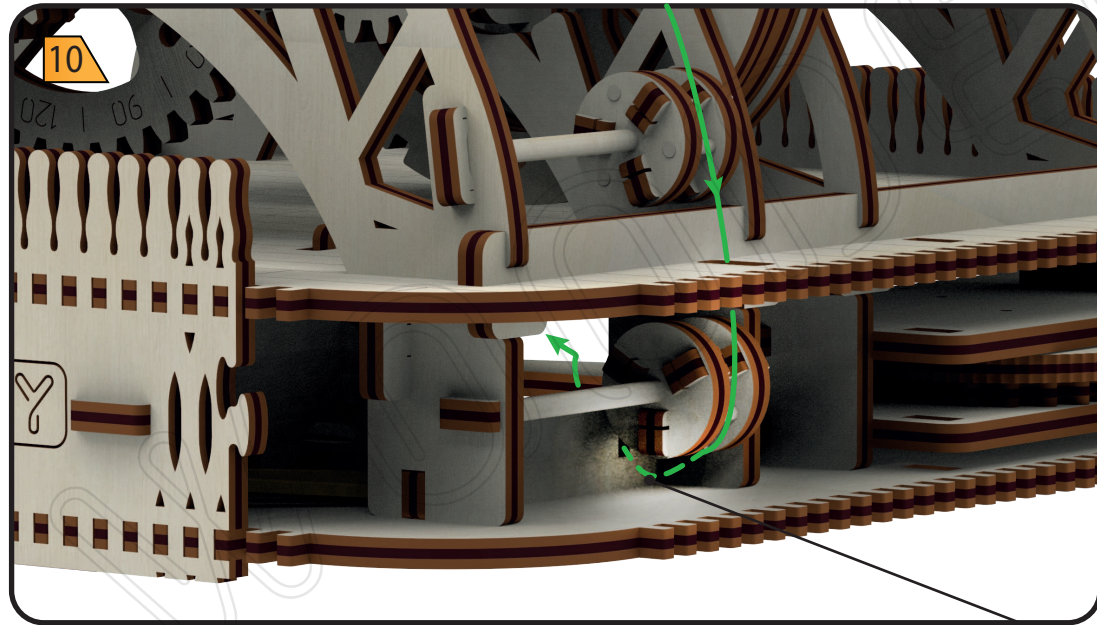
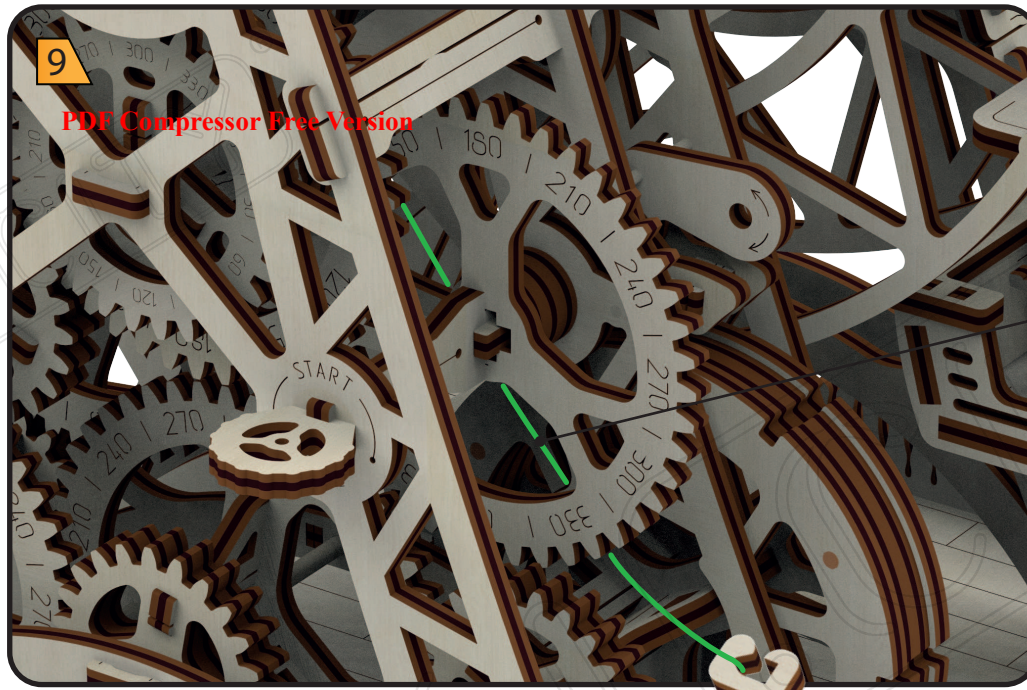


6

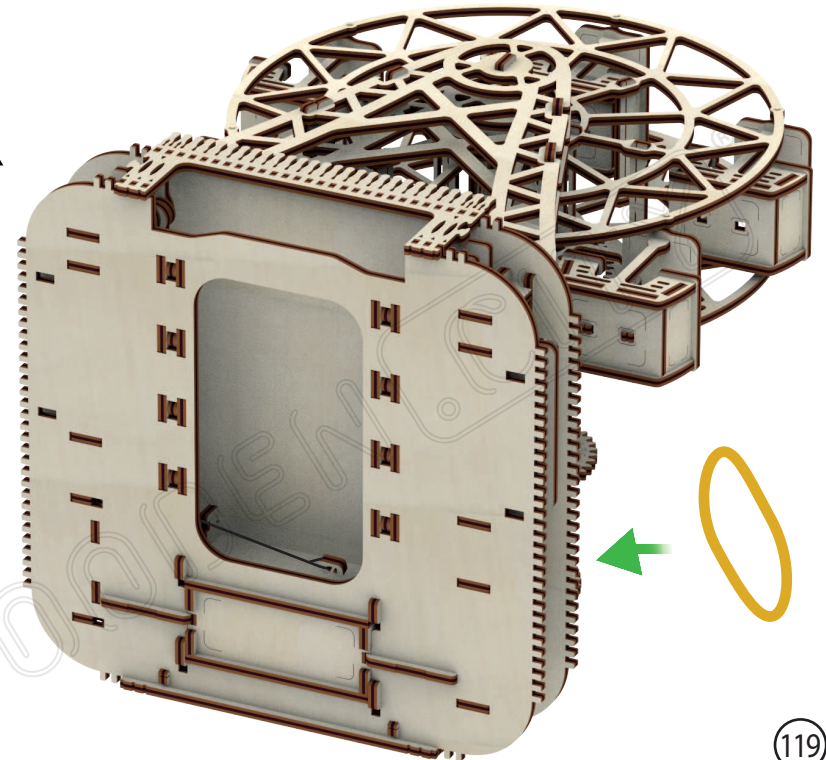


7

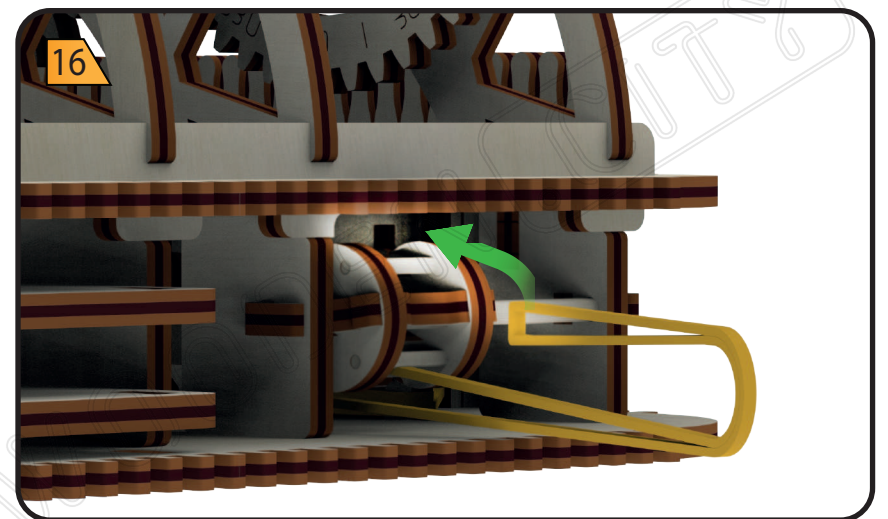
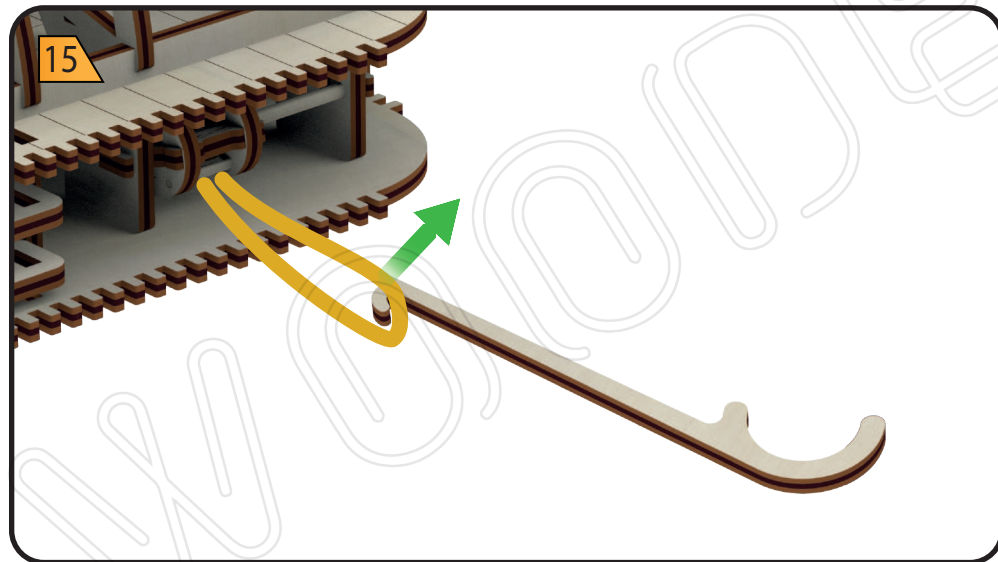
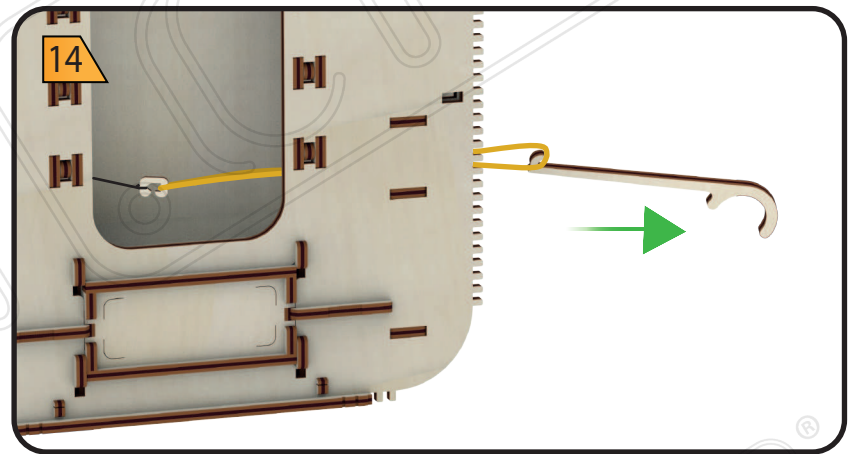
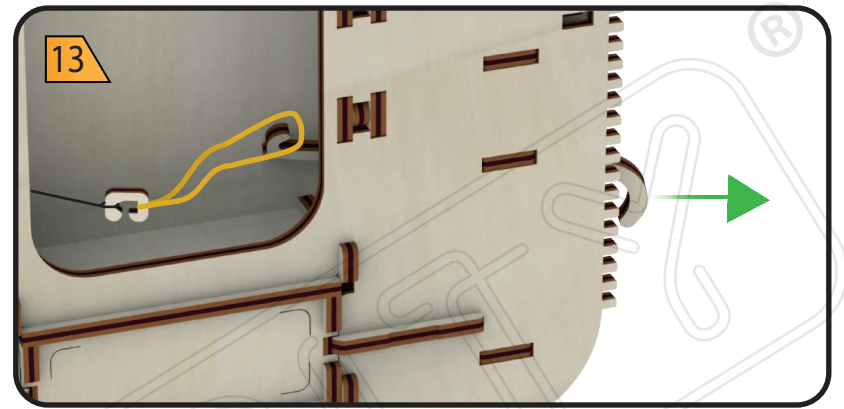
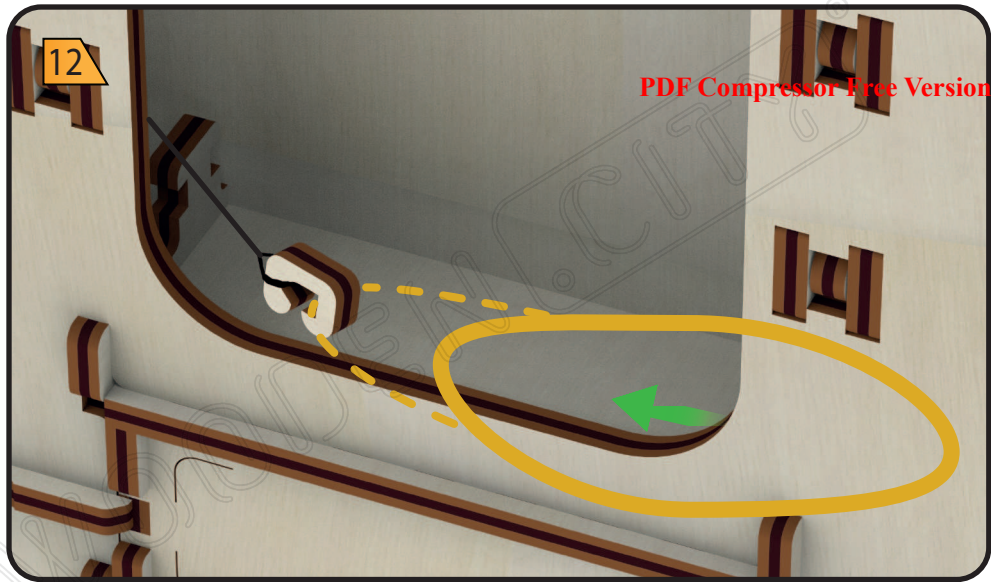




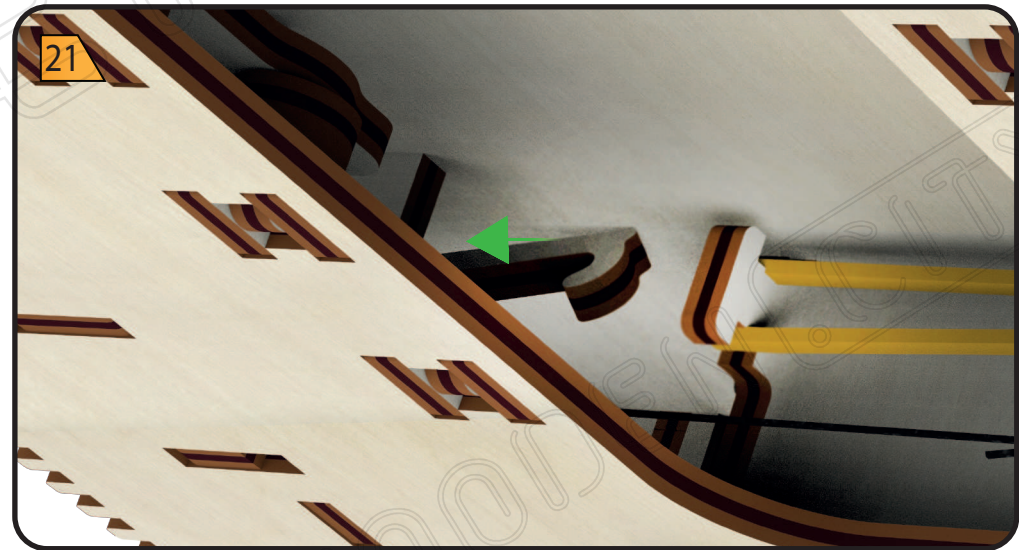
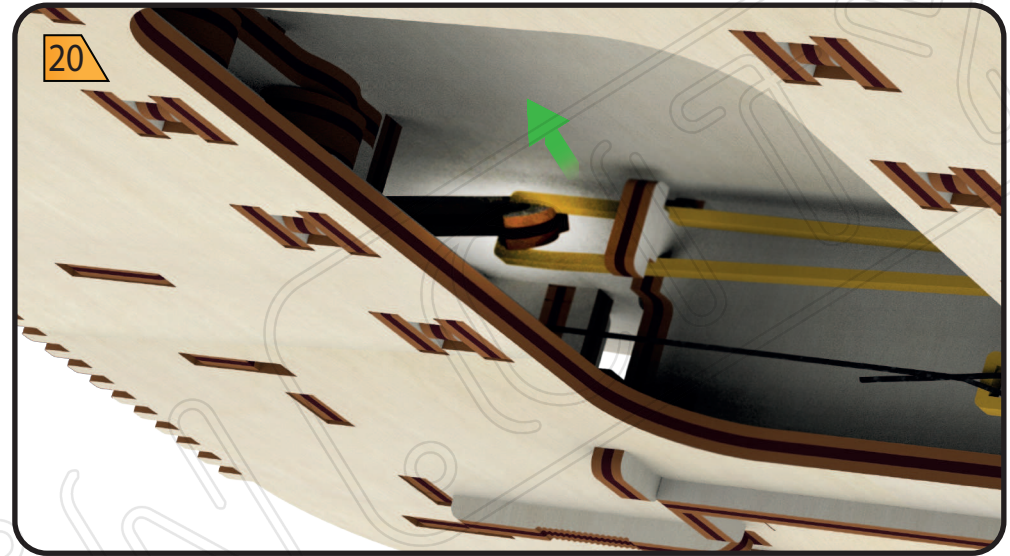
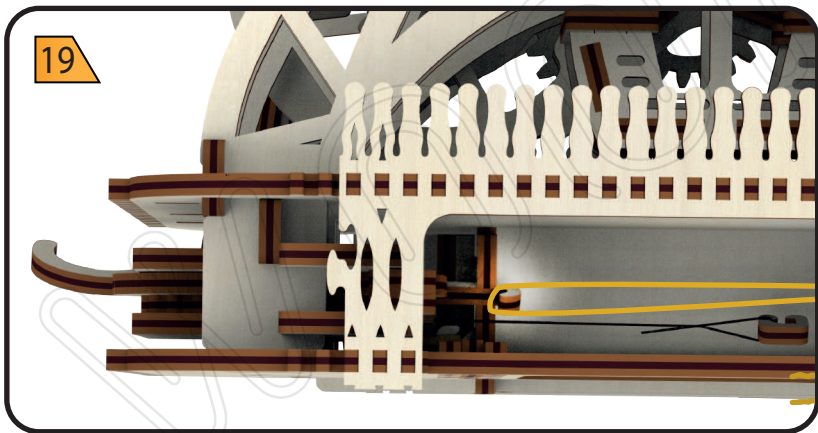
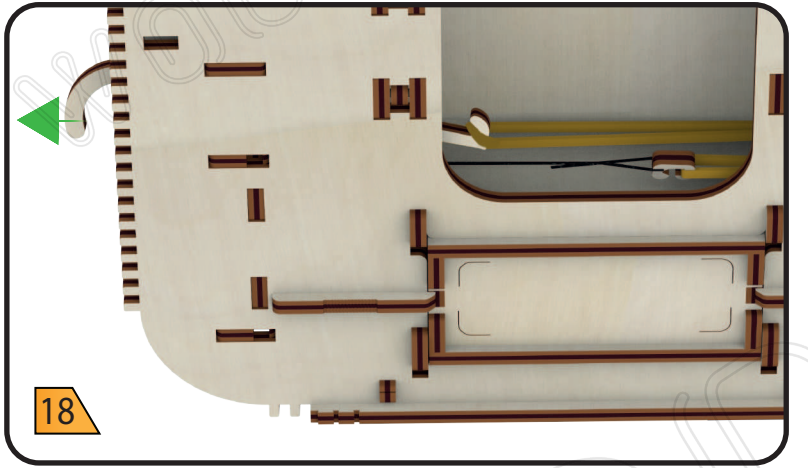
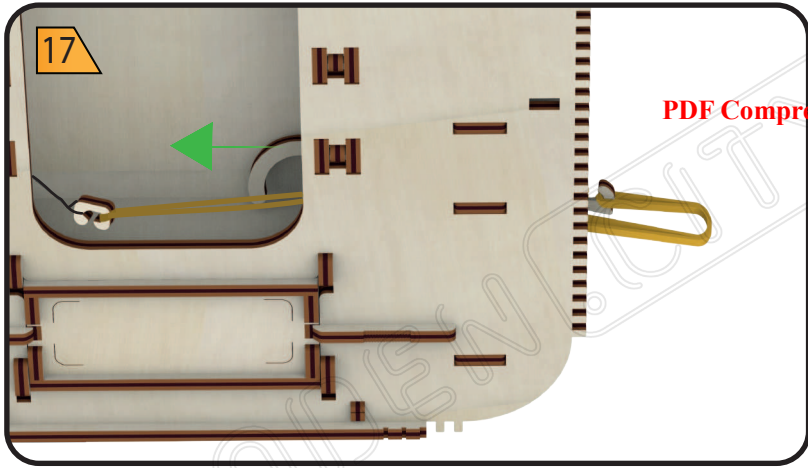
11





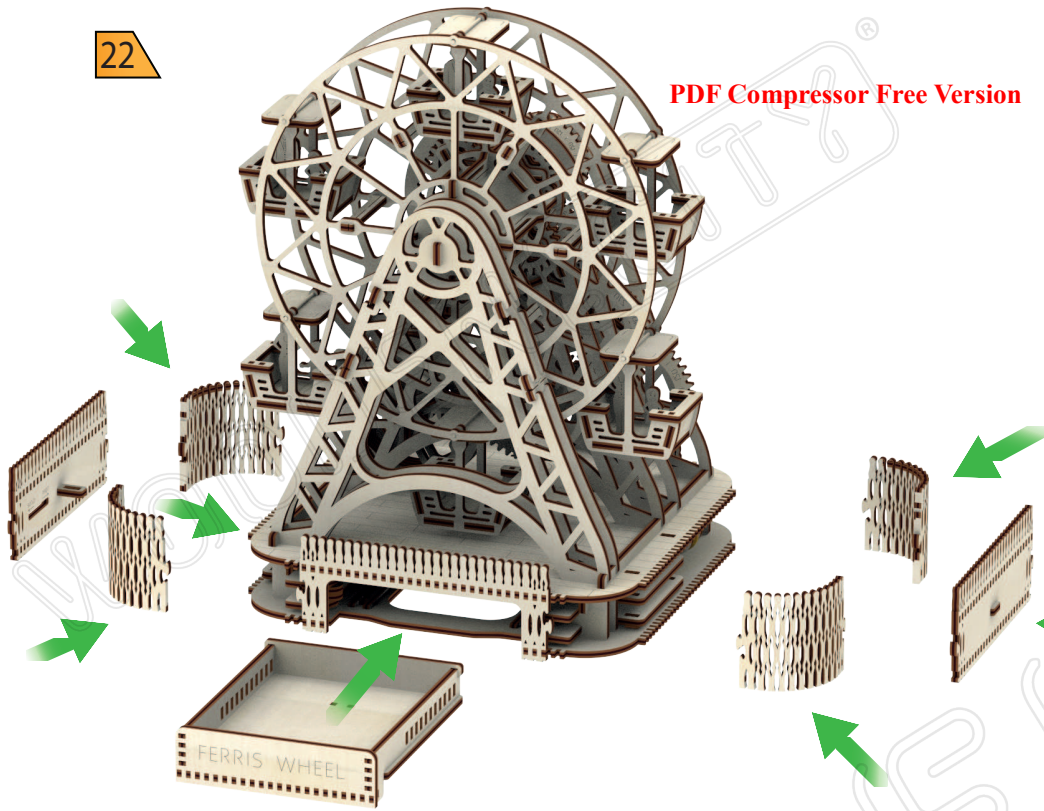


PDF Compressor Free Version

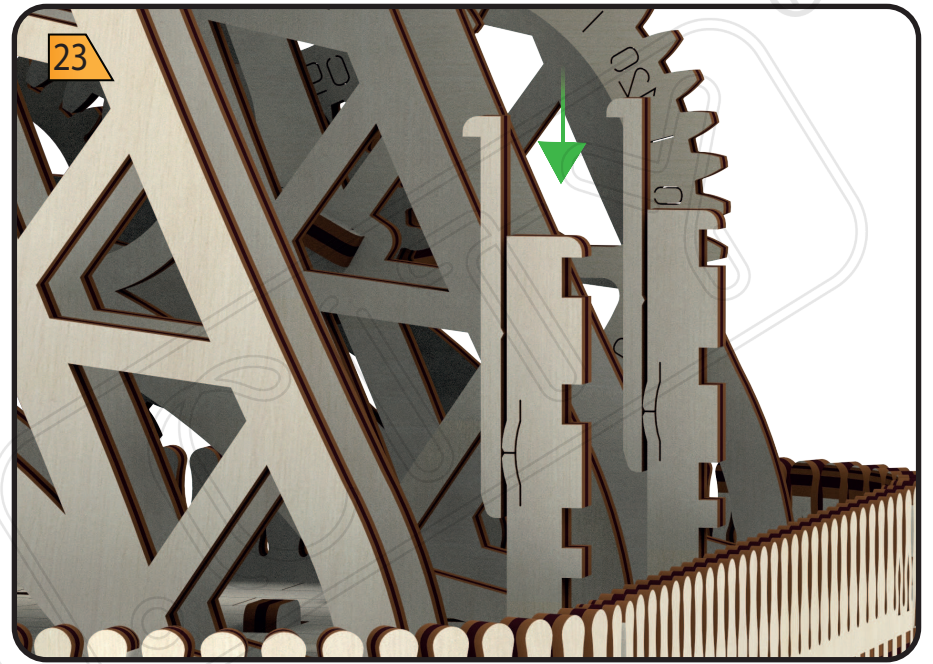


22

PDF Compressor Free Version



23



24

