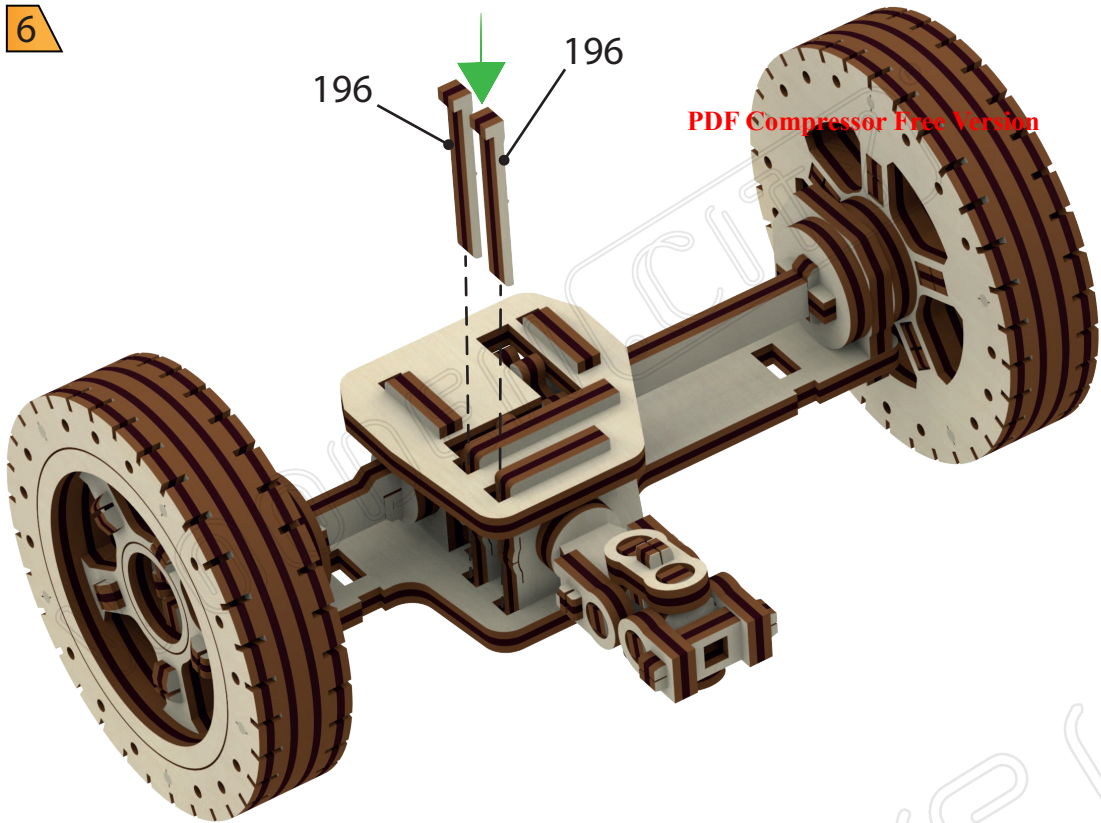
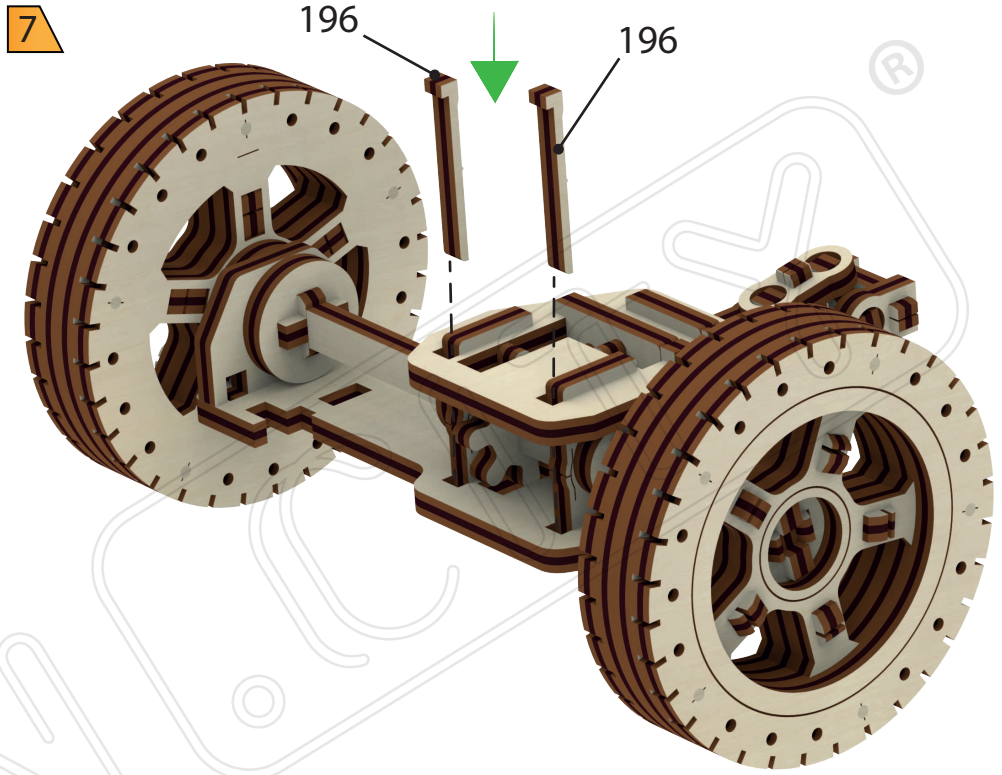




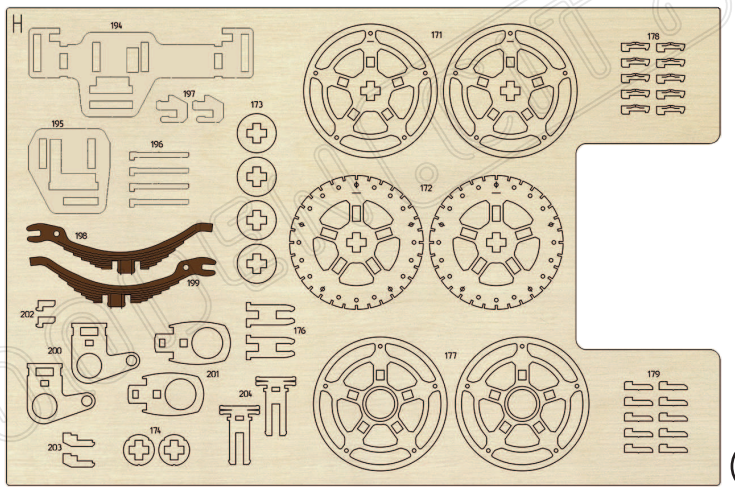
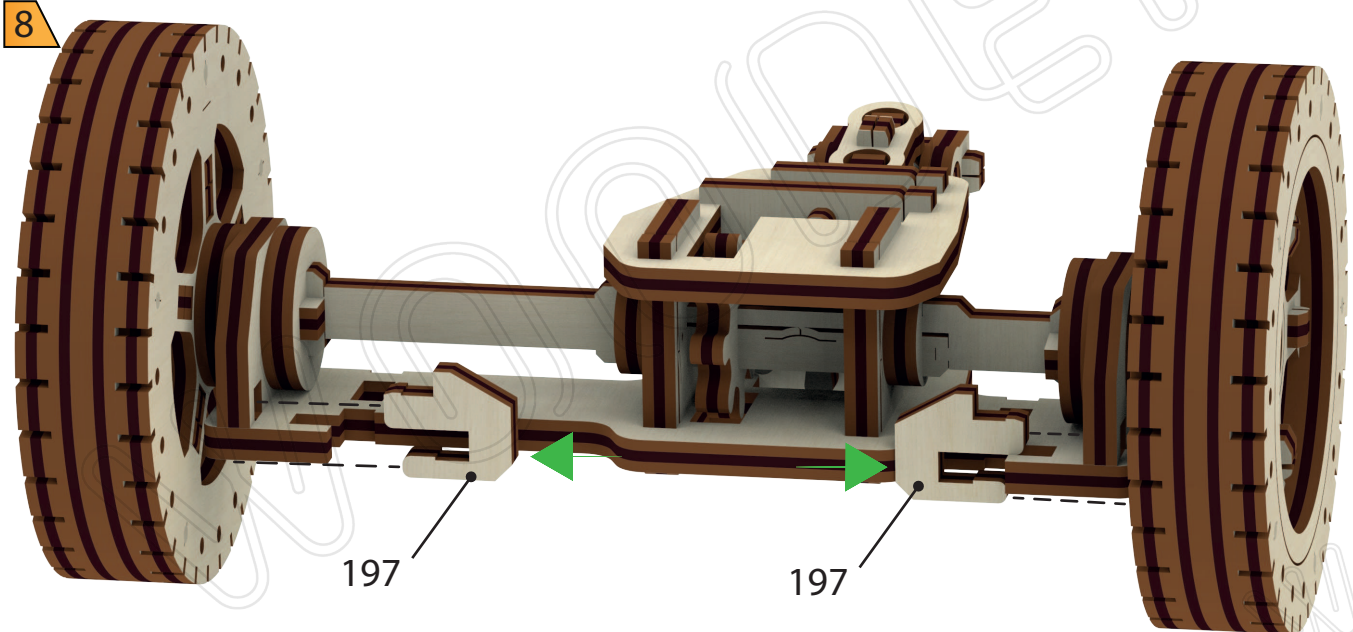
6



7

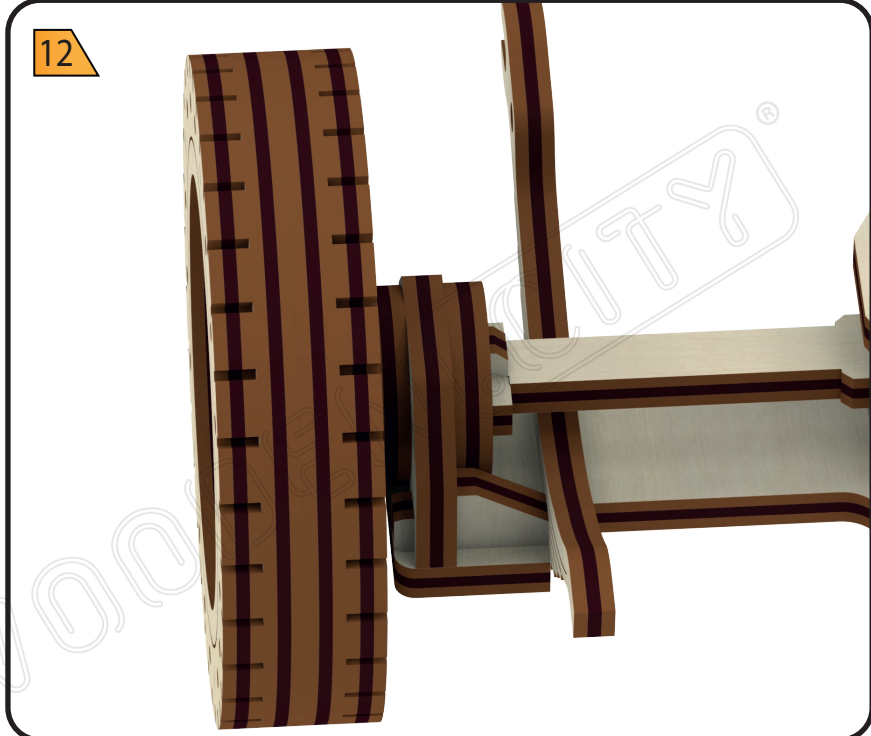
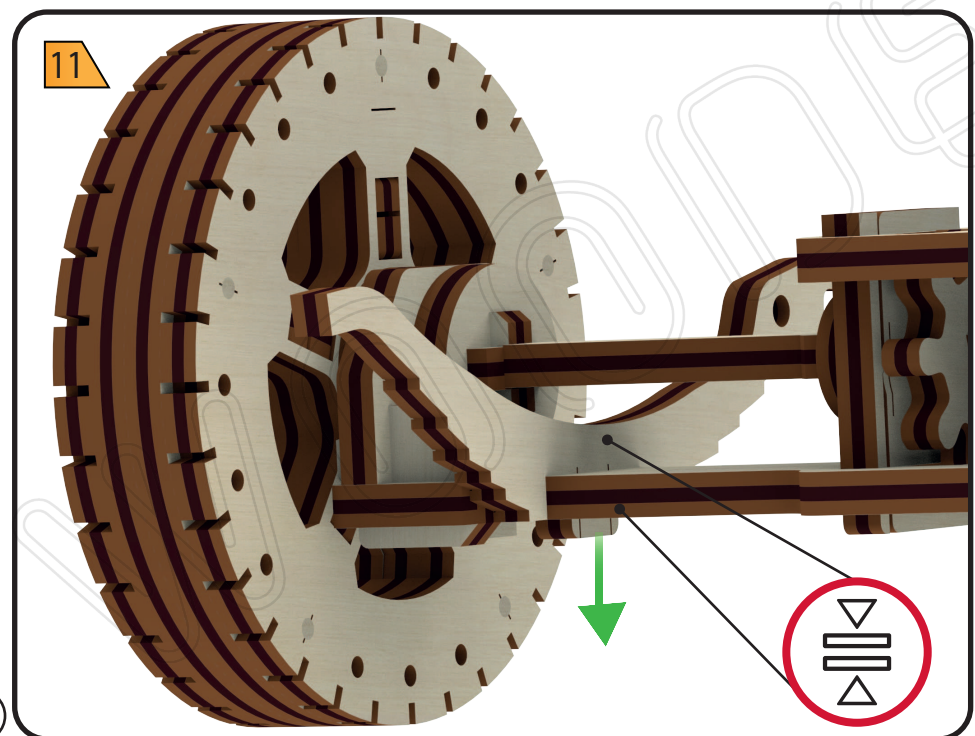
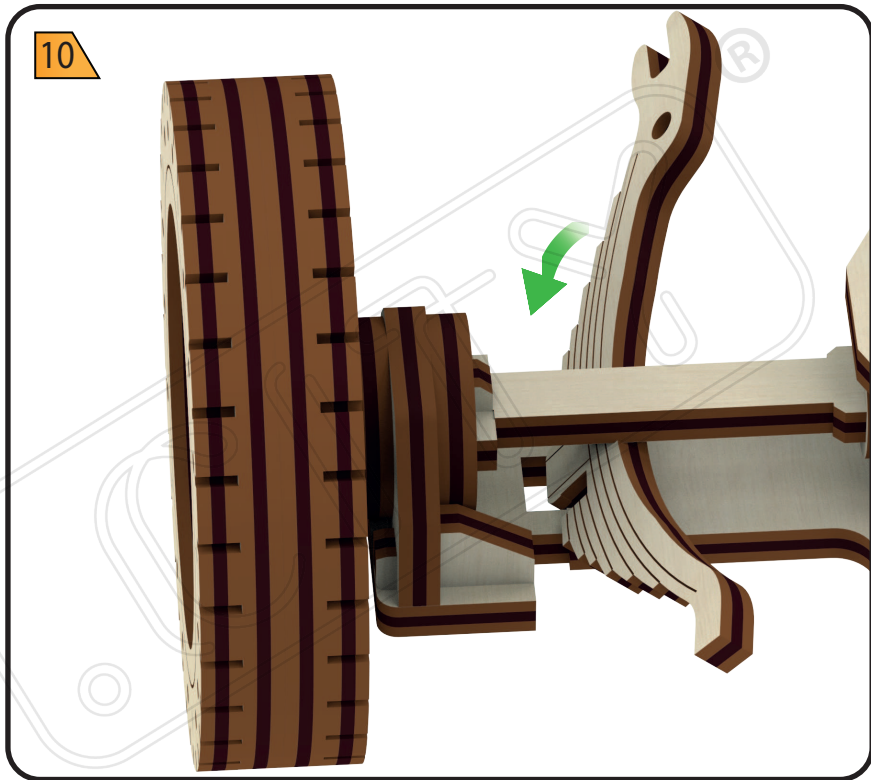
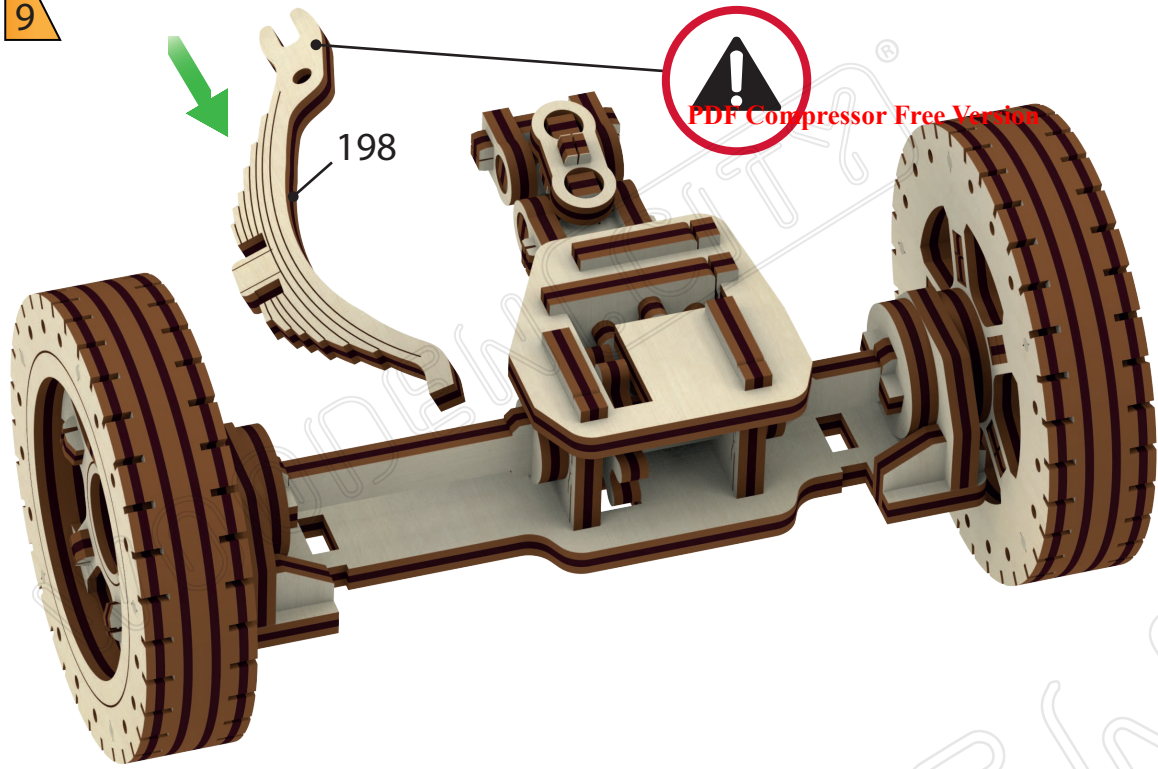


8





9



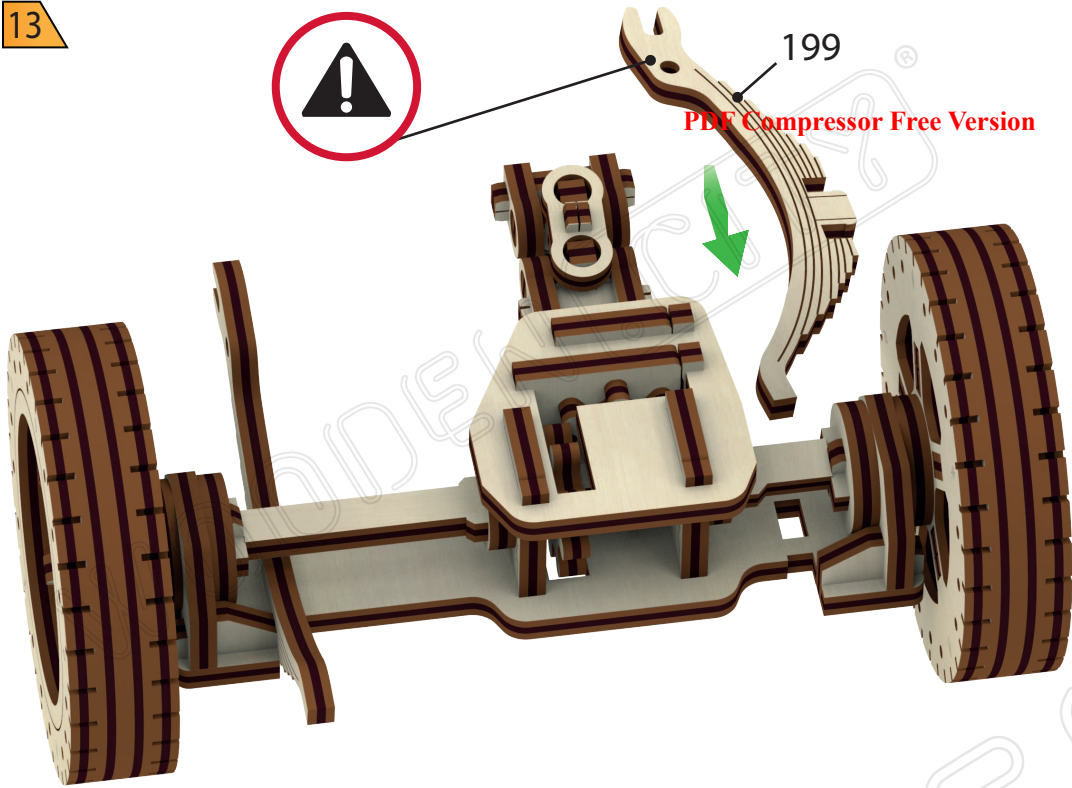


13

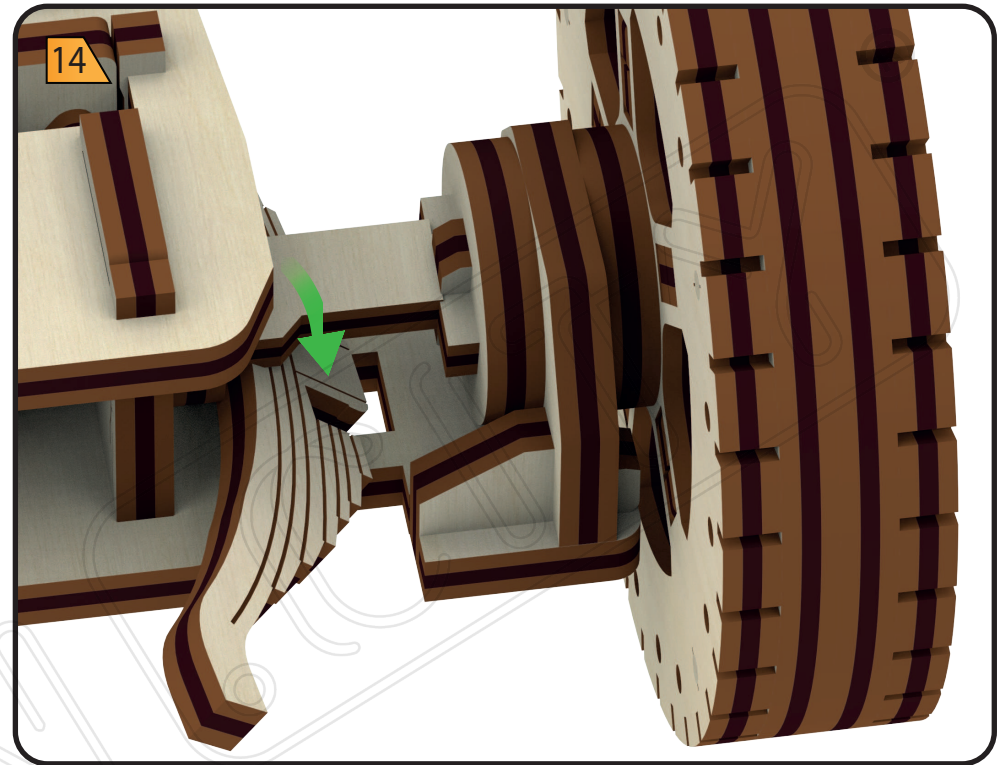


199

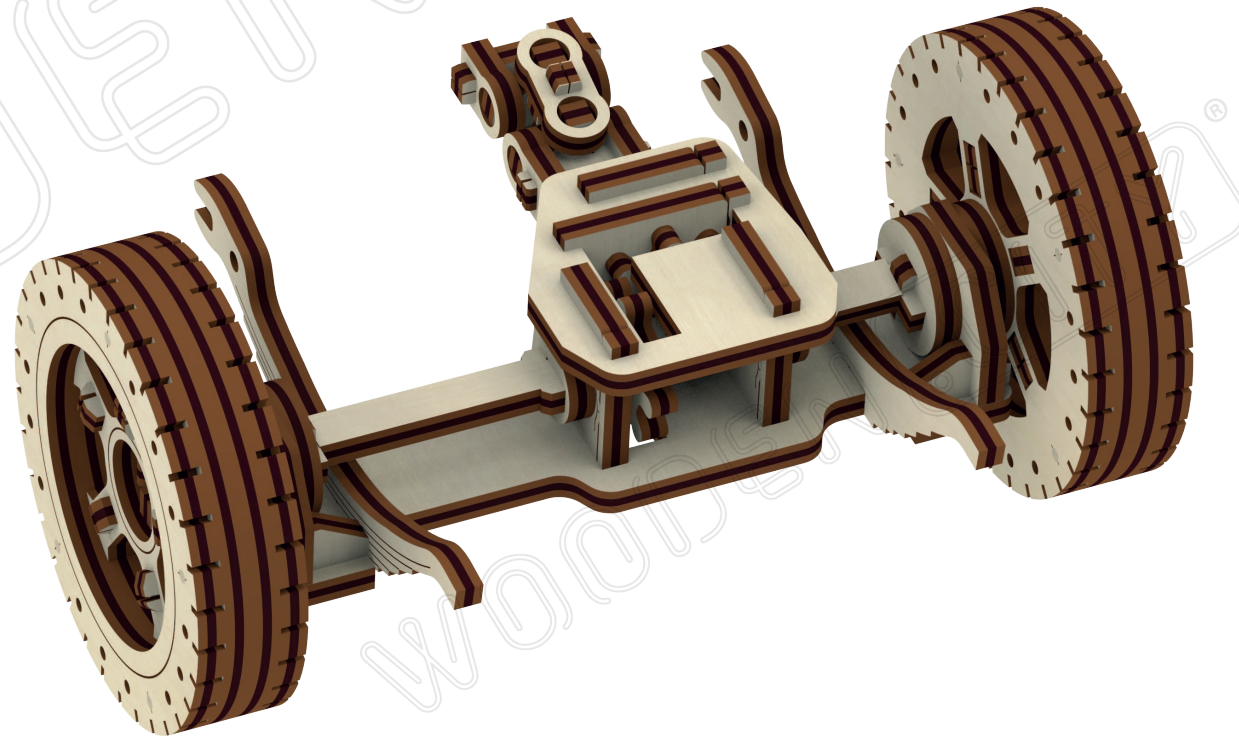
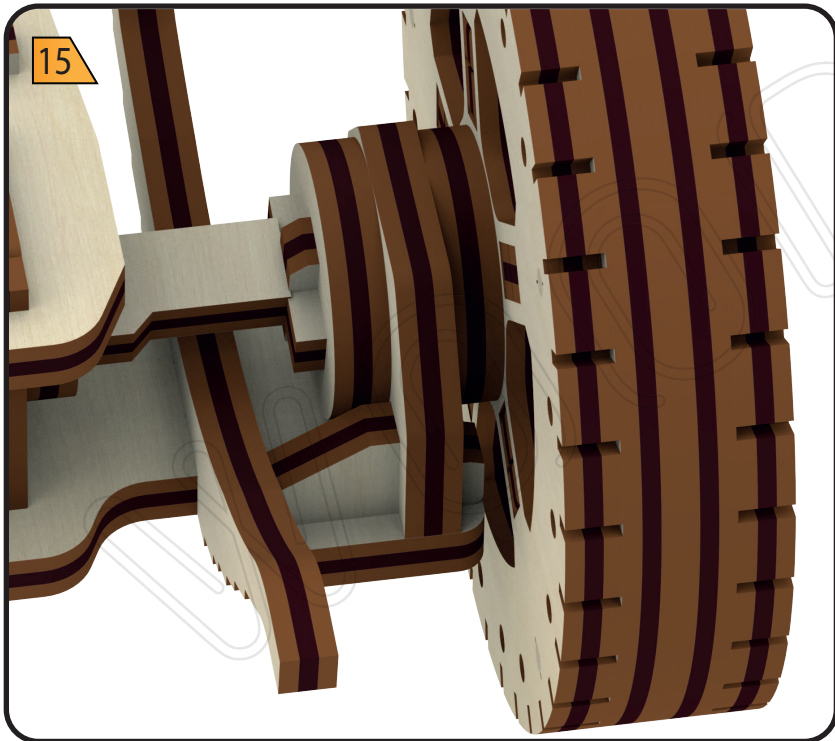
PDF Compressor Free Version



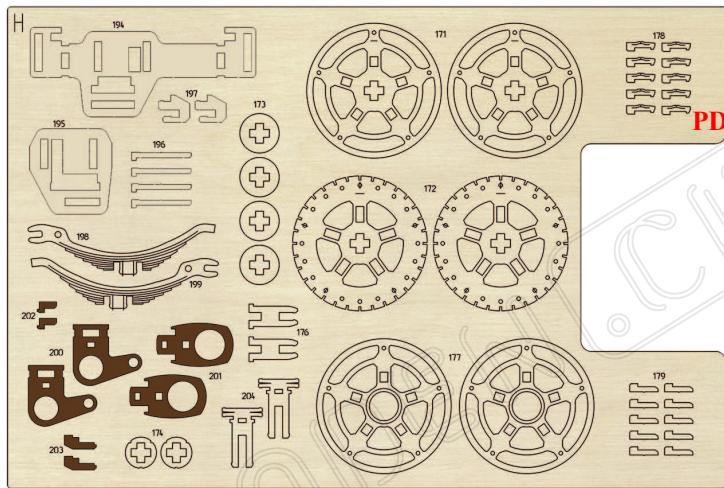
14



15

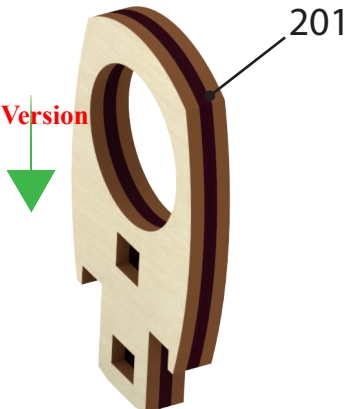






PDF Compressor Free Version

1



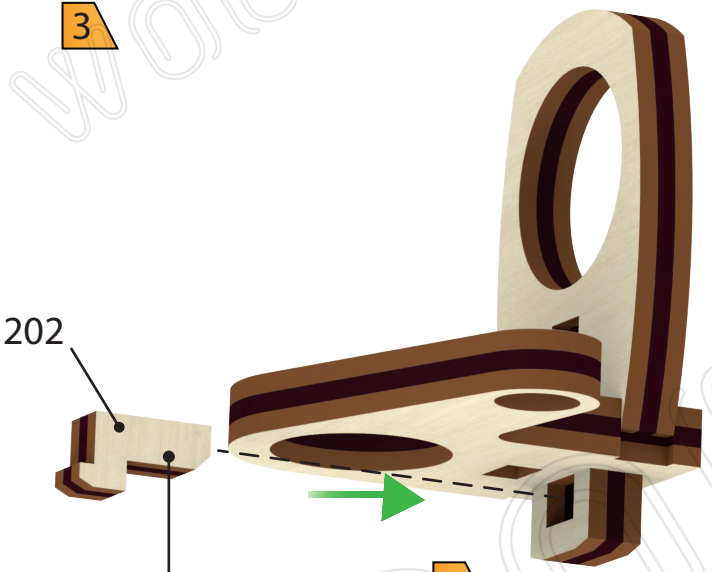
2



4



3



5



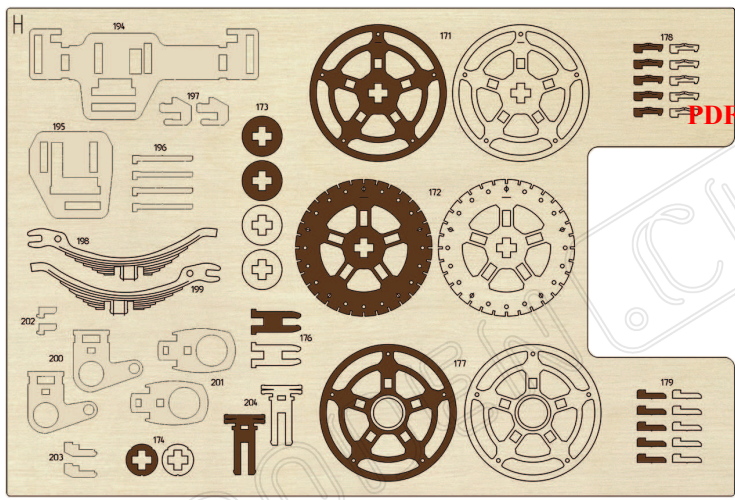
1 ... 5



+

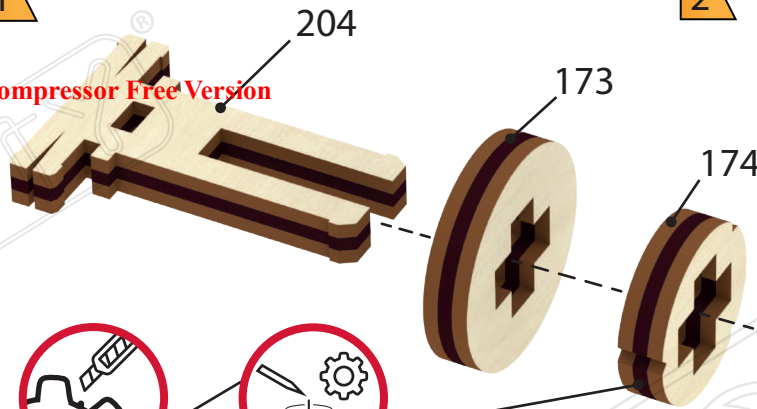




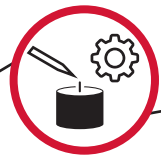
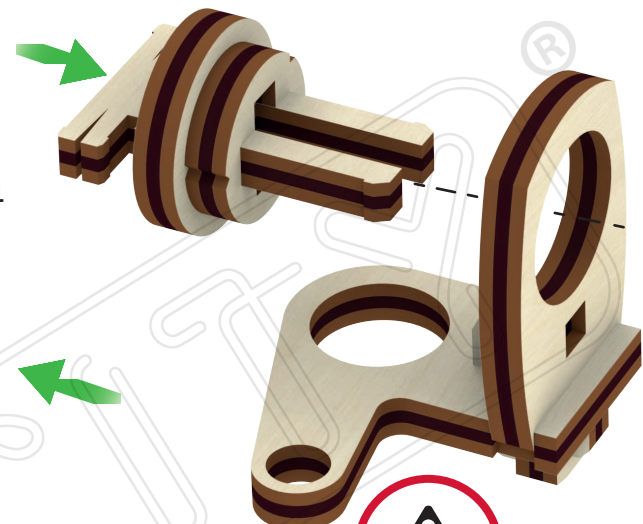


1

PDF Compressor Free Version

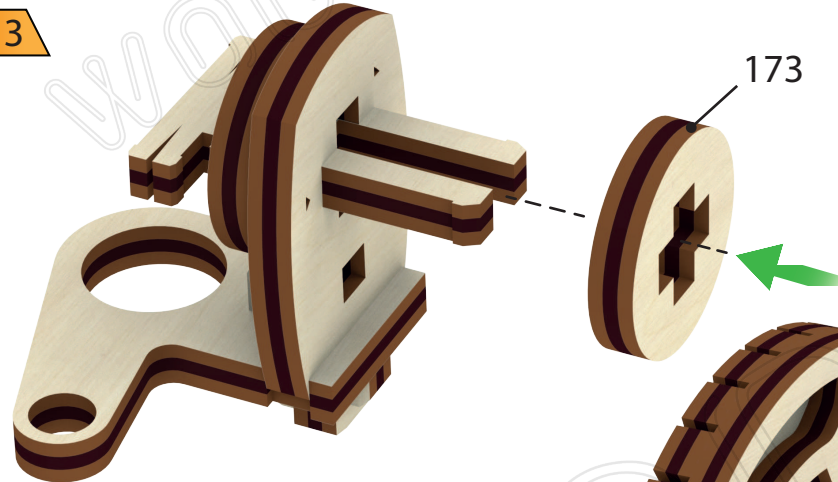


2

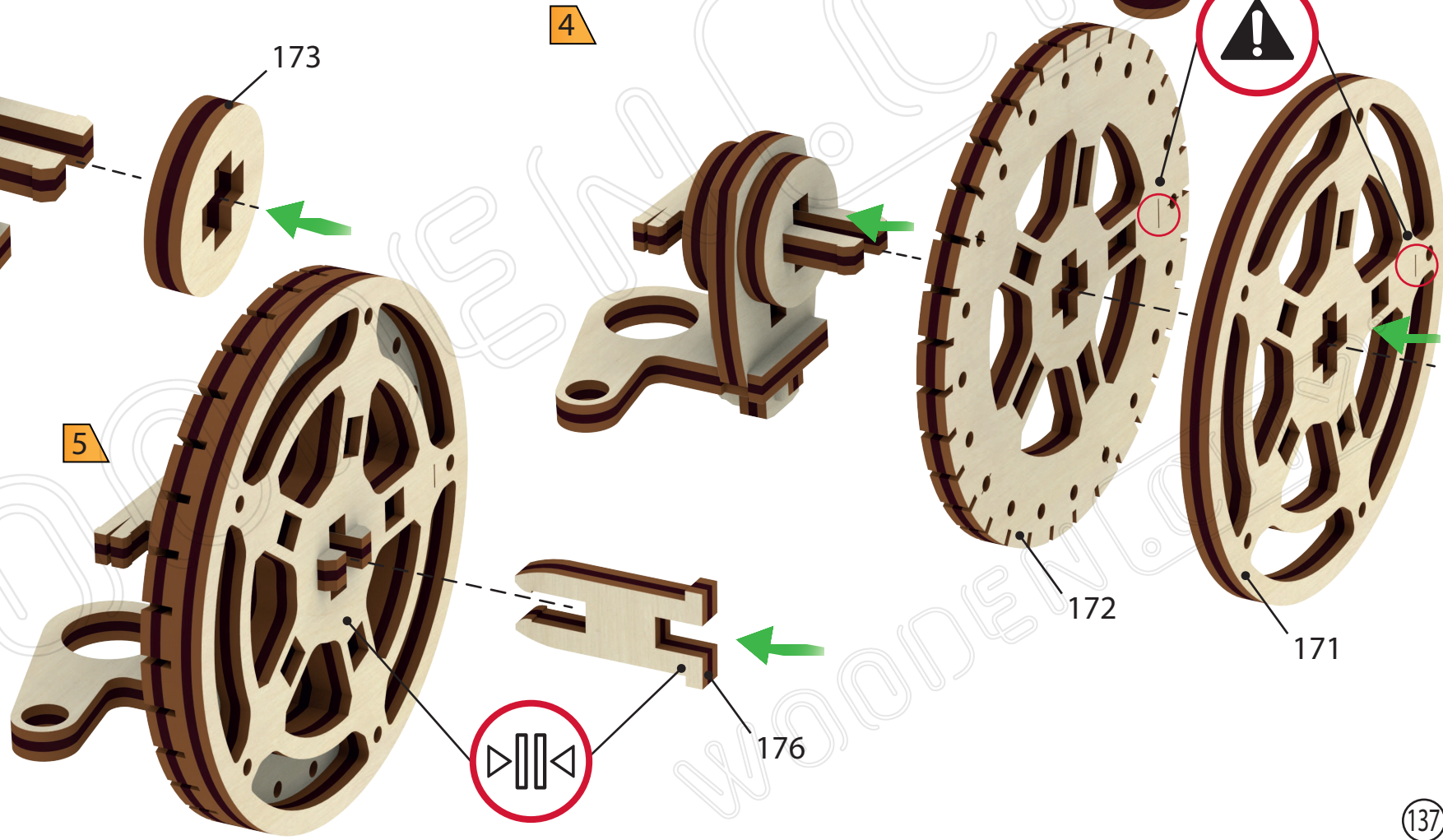


4

3



5

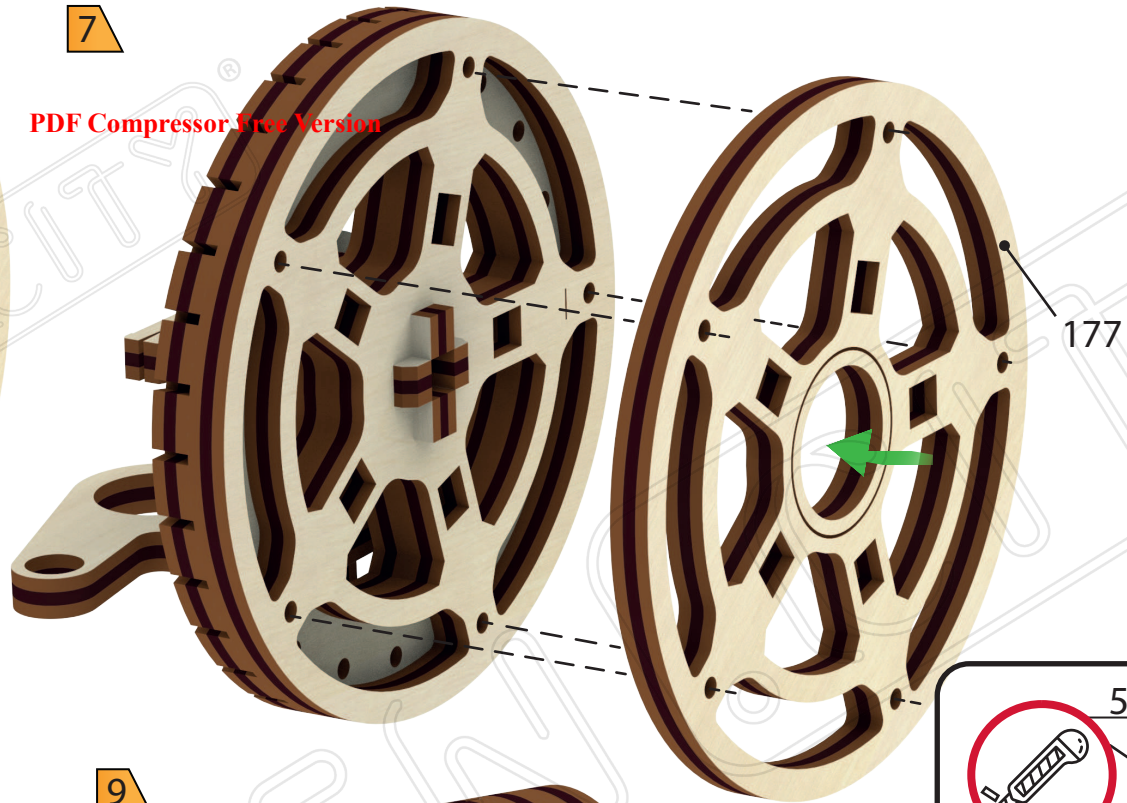




6

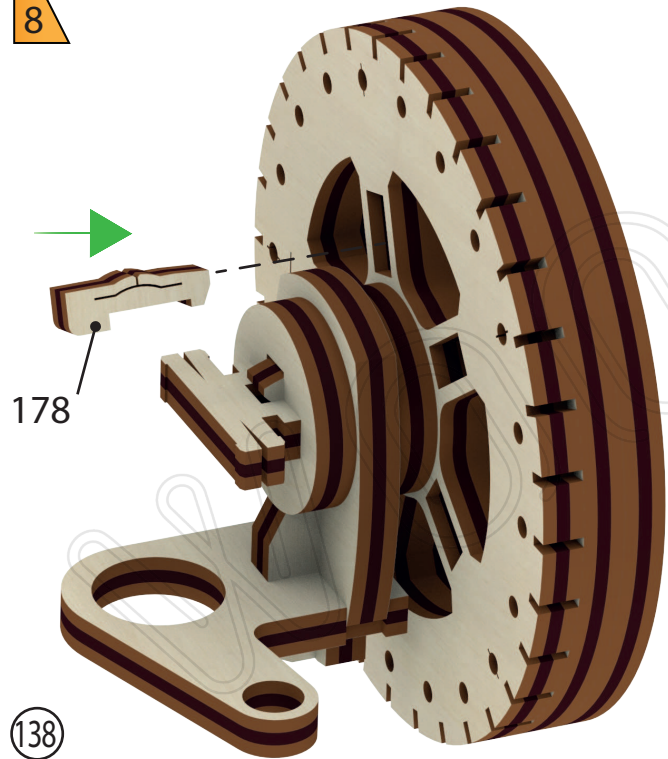


7



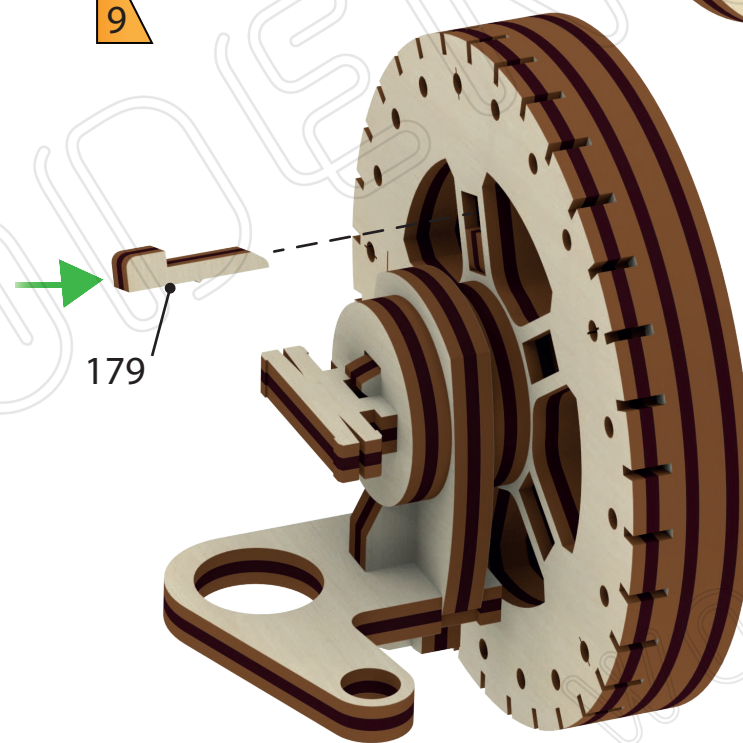
177

8

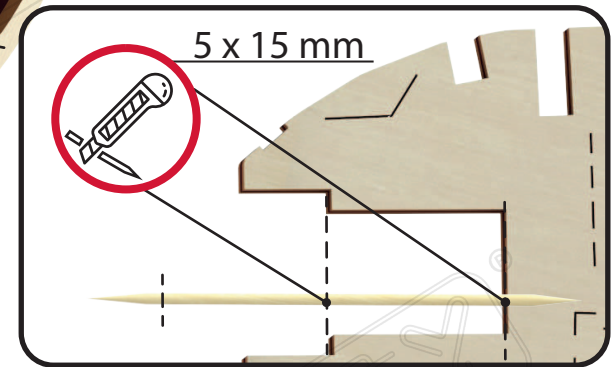


178

9

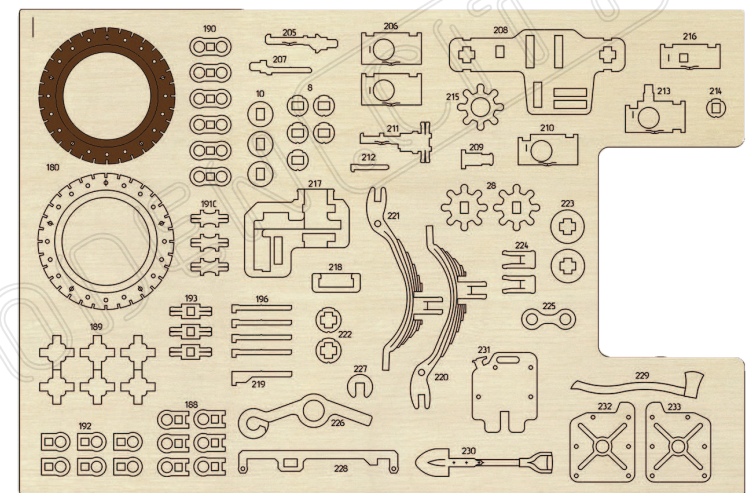


179



5 x 15 mm

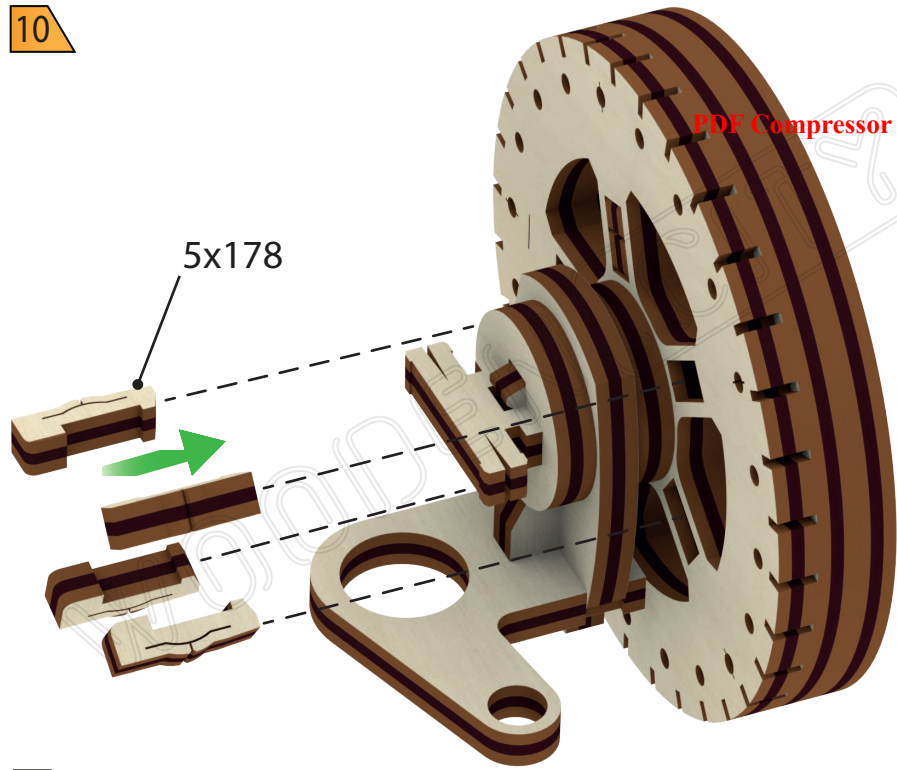
138





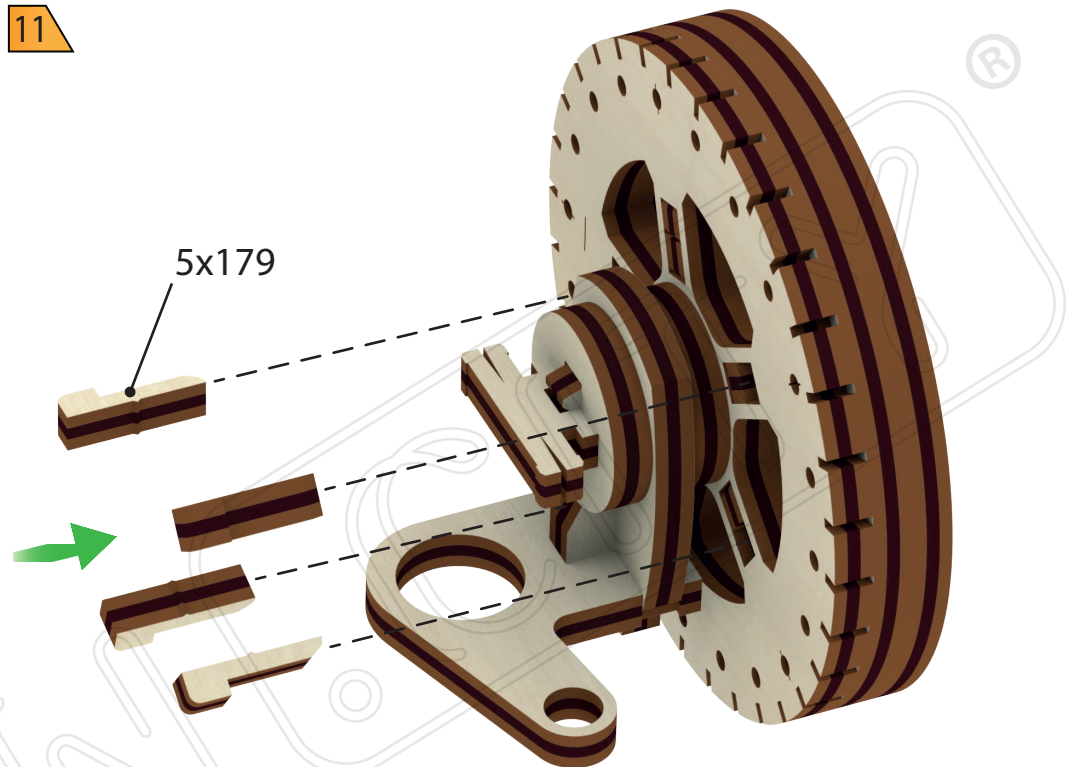
10

PDF Compressor Free Version

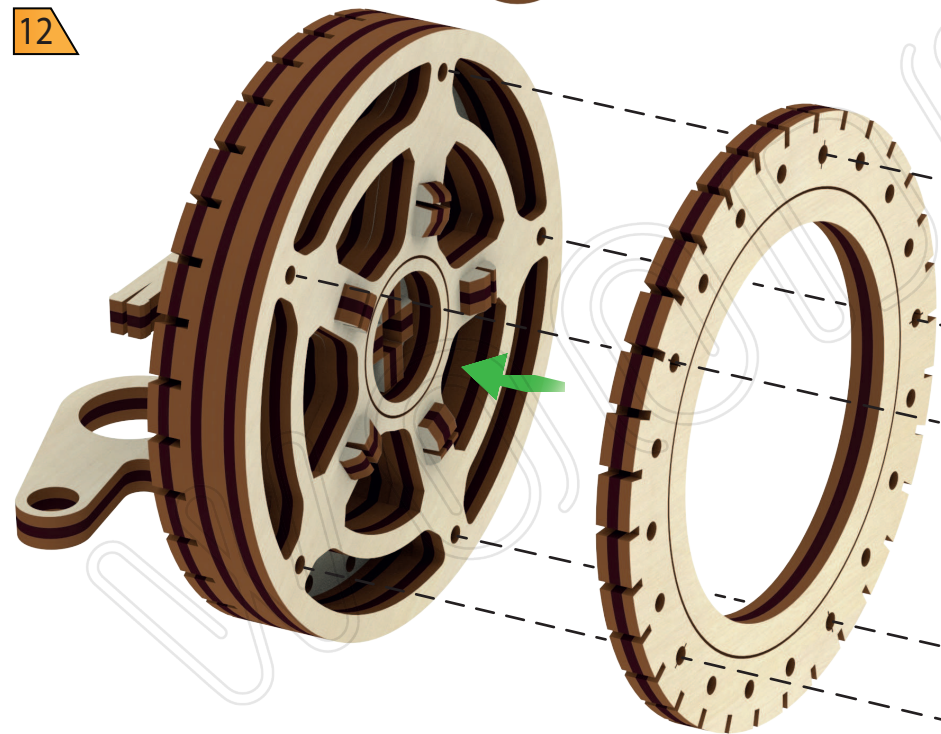


11

5x179

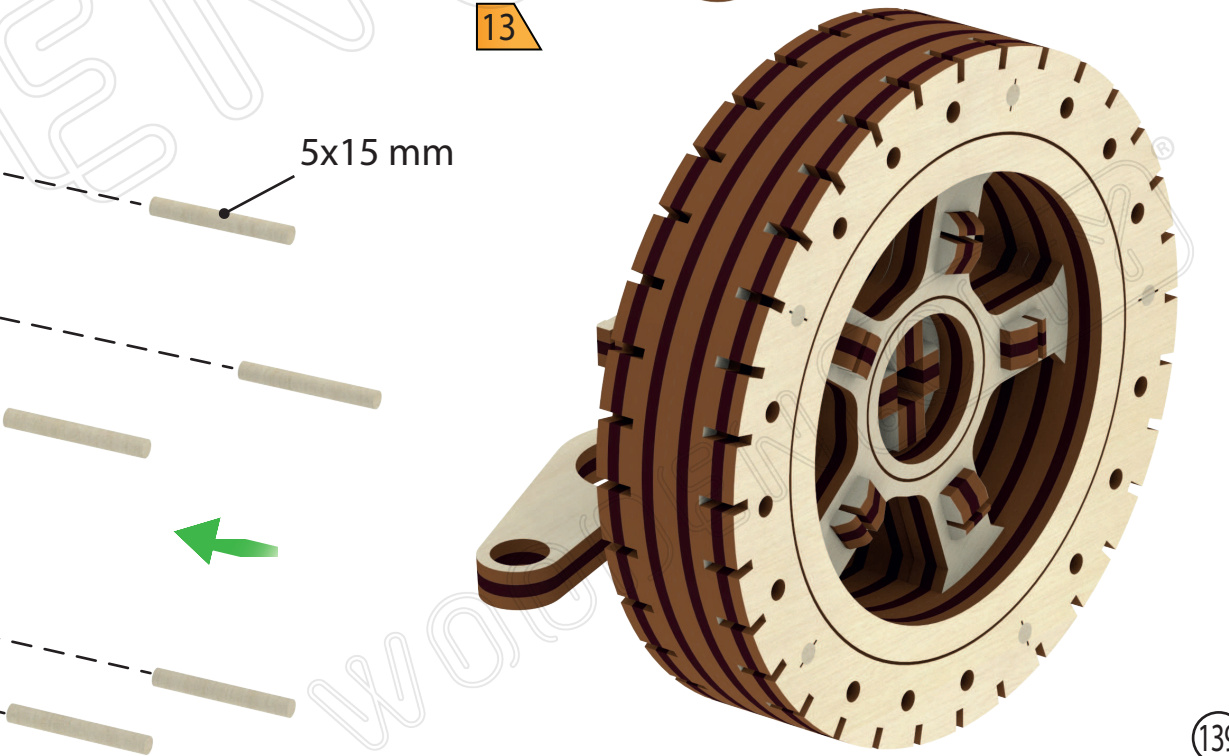


12

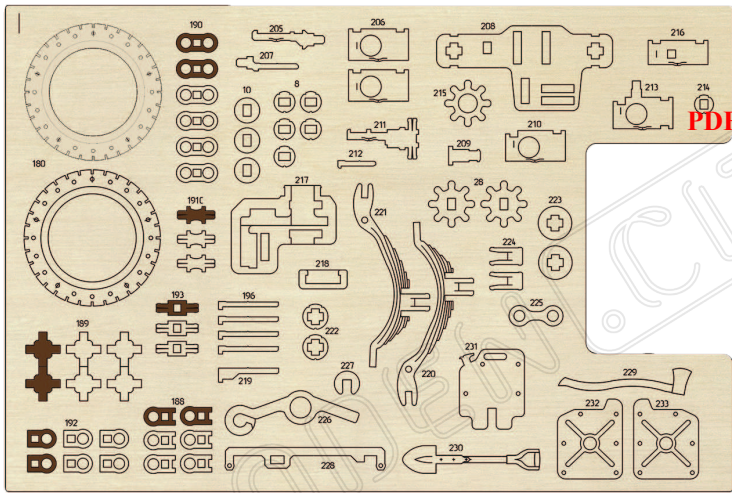


13

5x15 mm

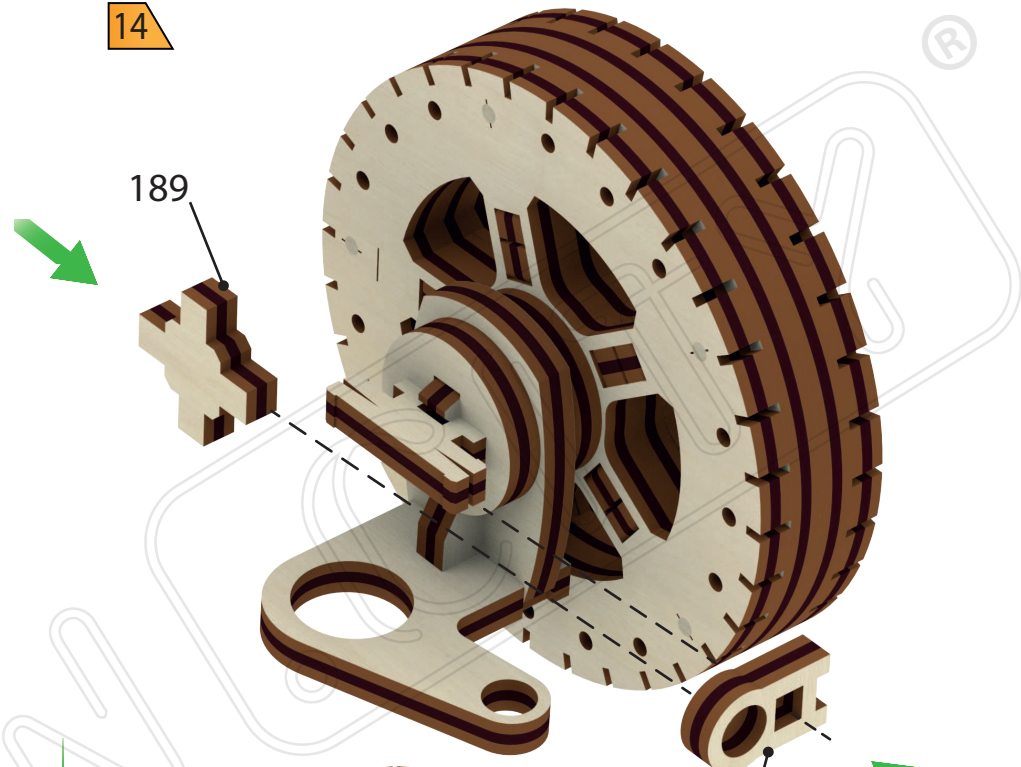




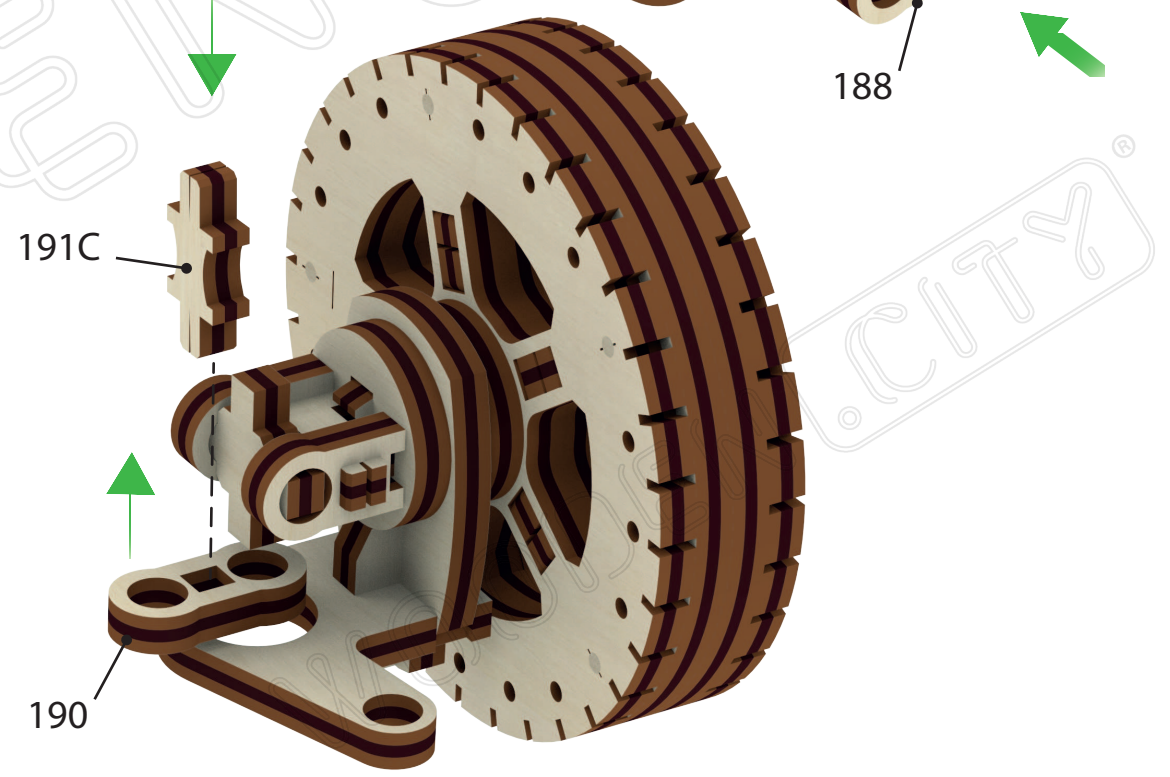
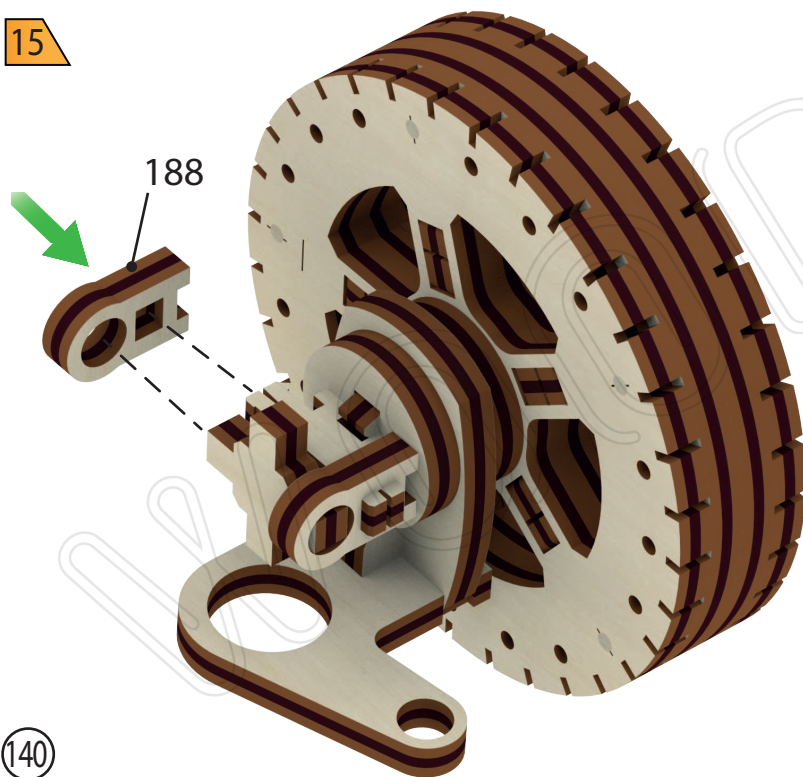


PDF Compressor Free Version

14



15



140



17

190

189

PDF Compressor Free Version

18

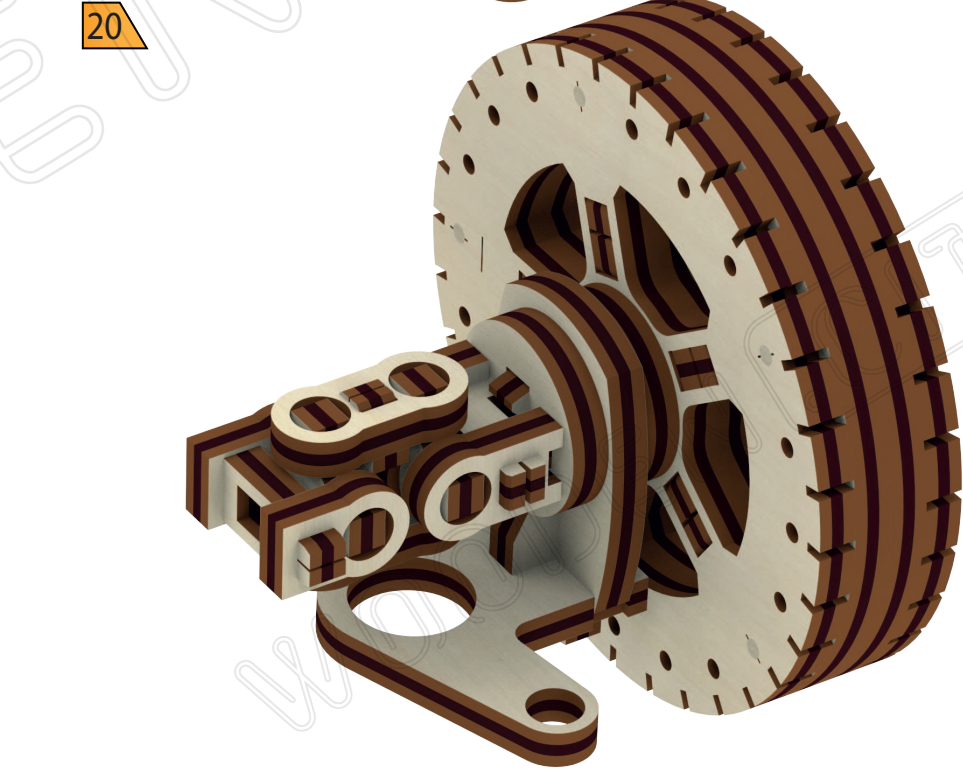
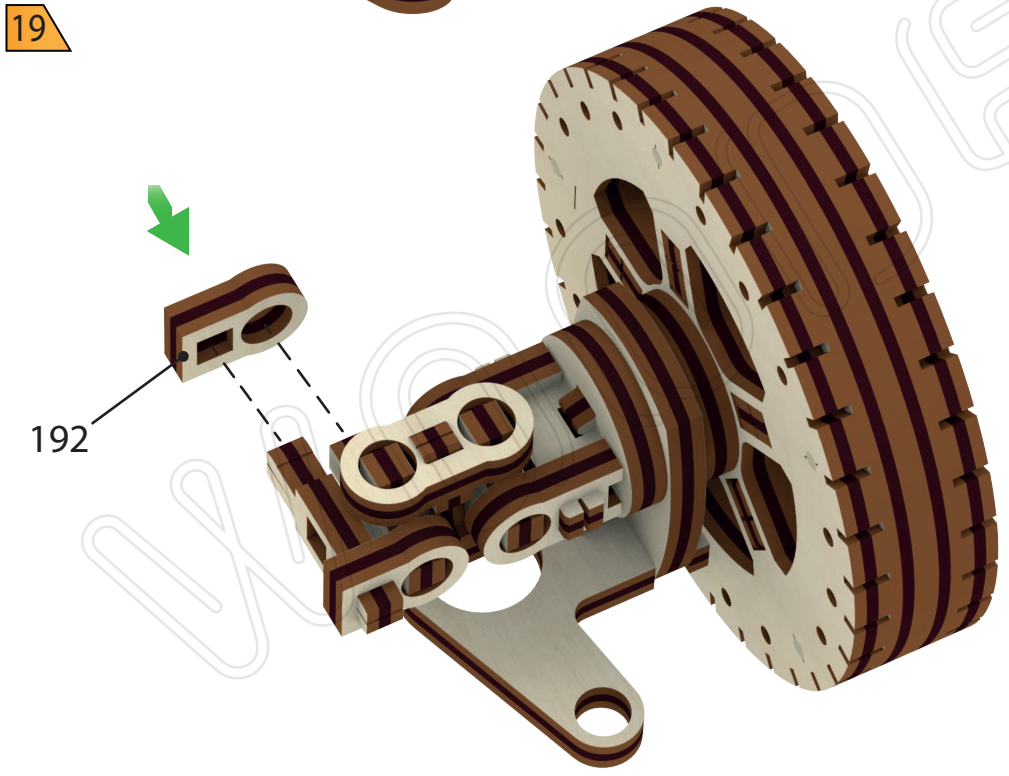
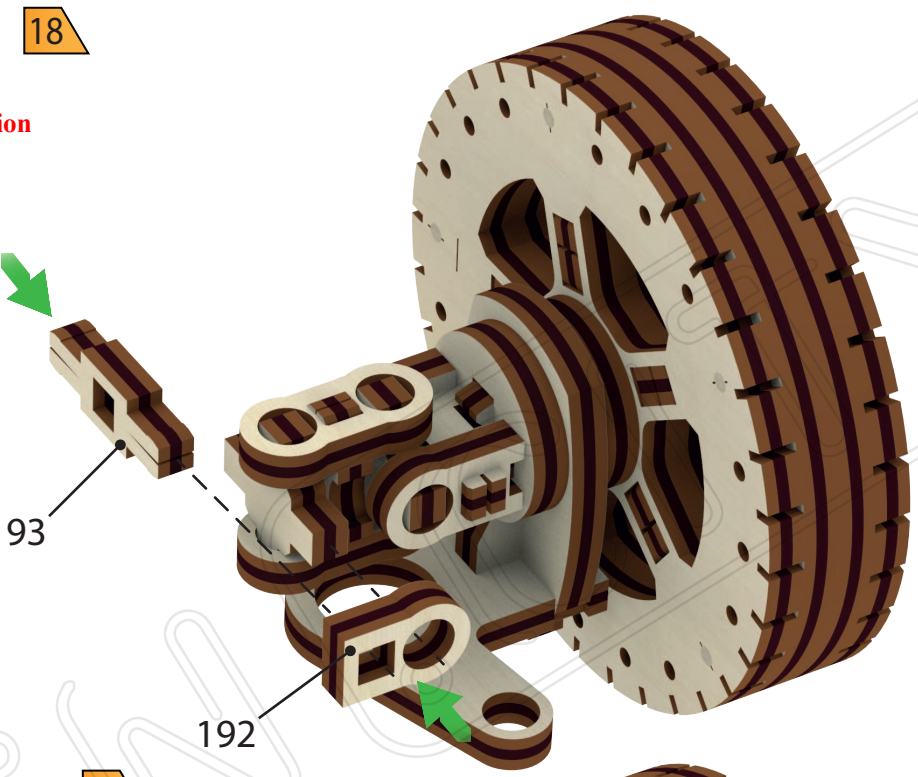
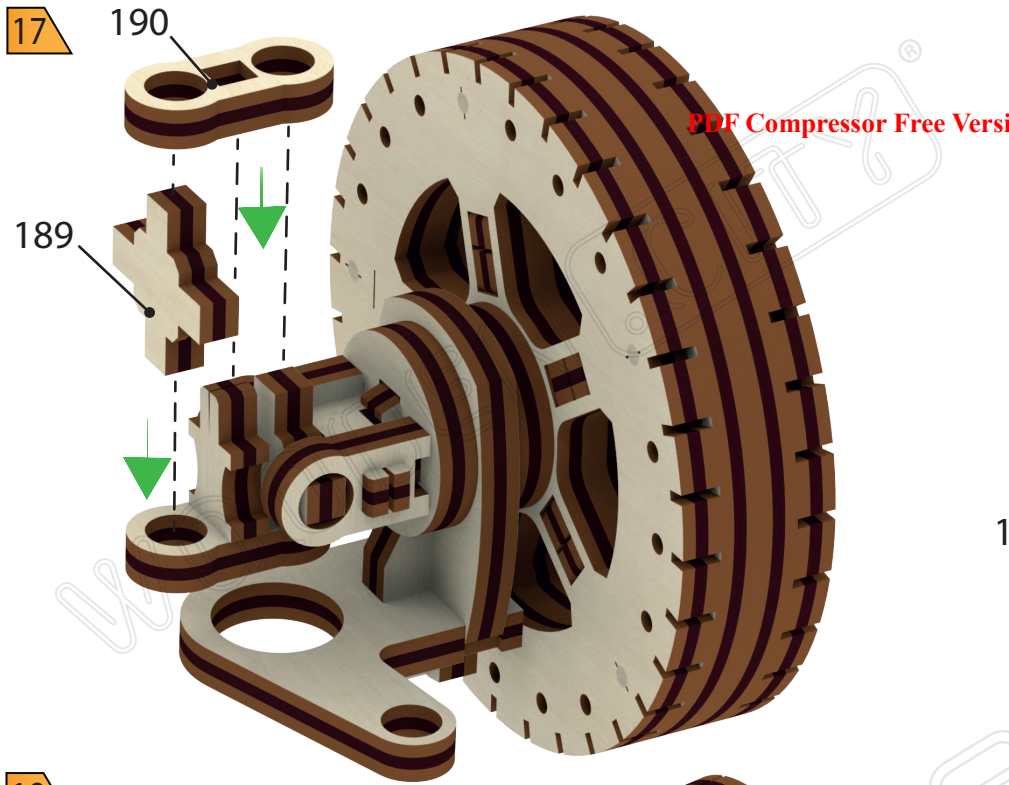
193

192

19

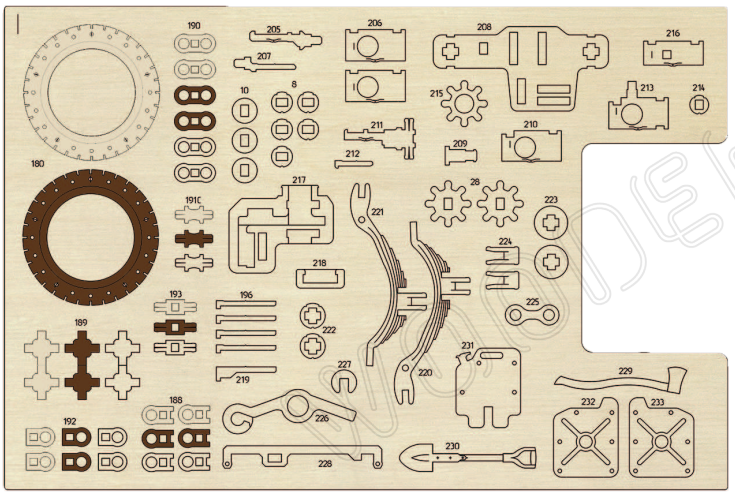
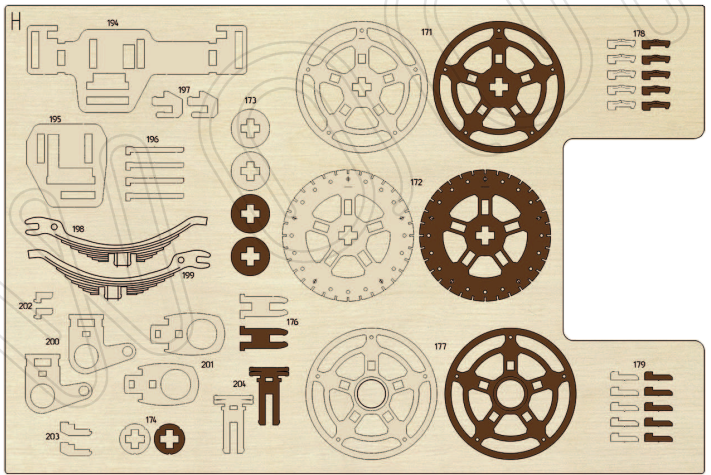
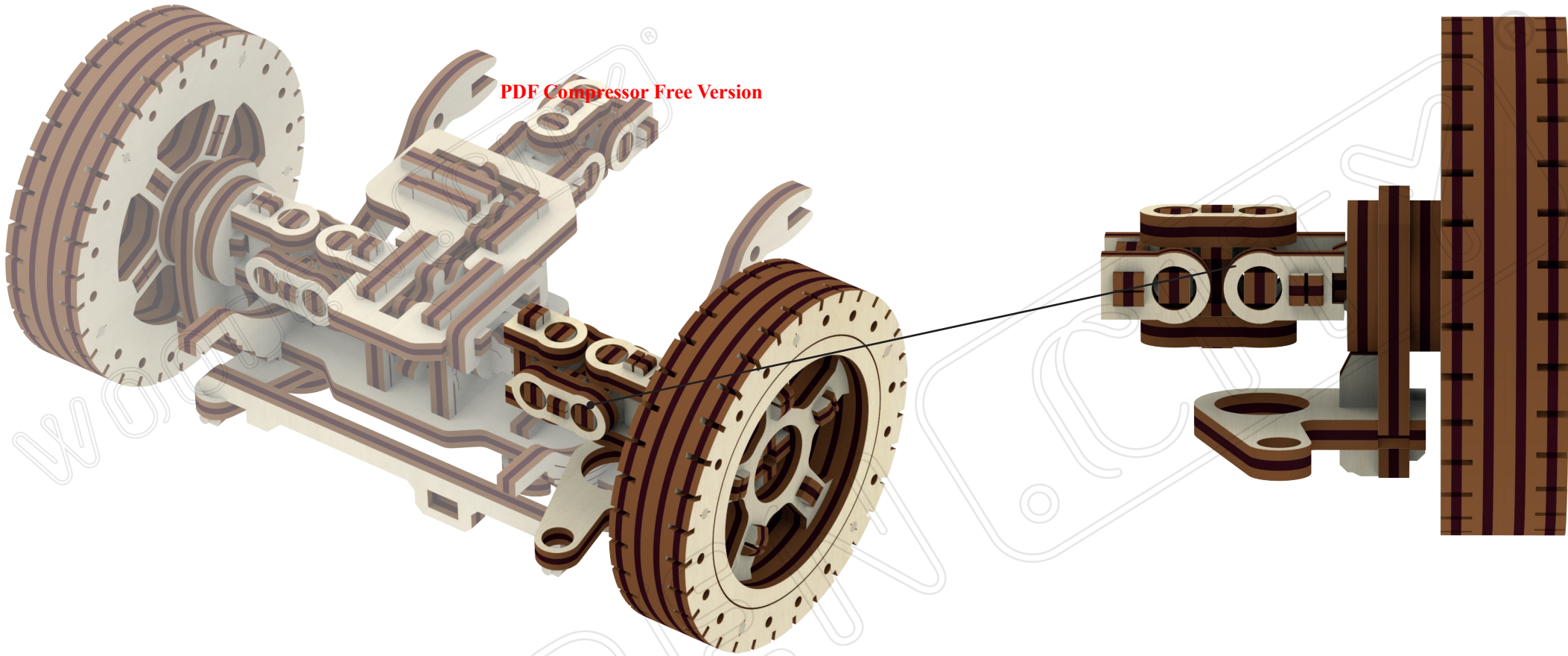
192

20



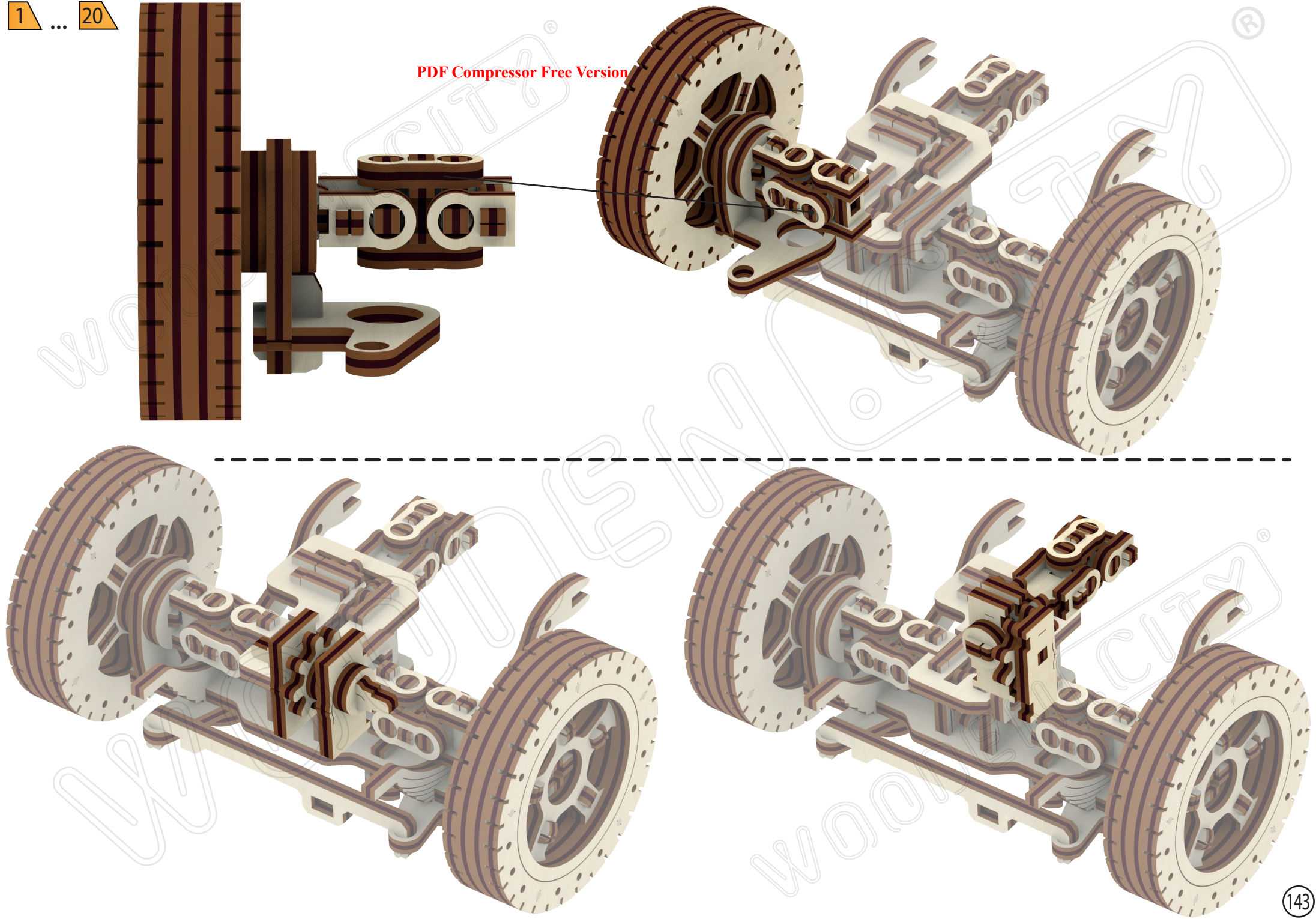


PDF Compressor Free Version

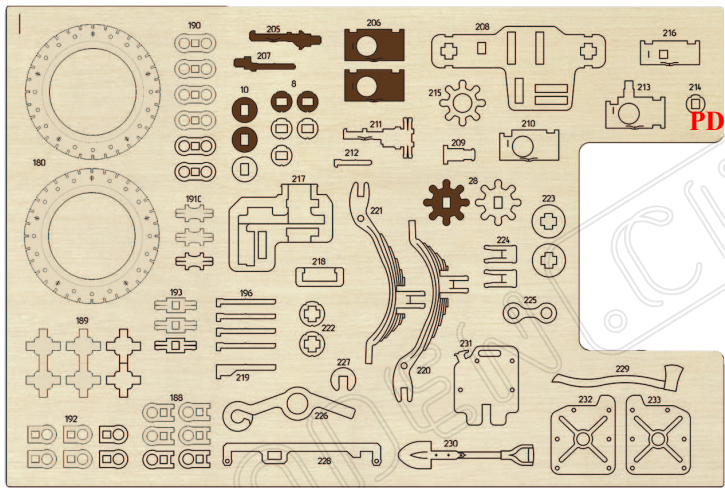




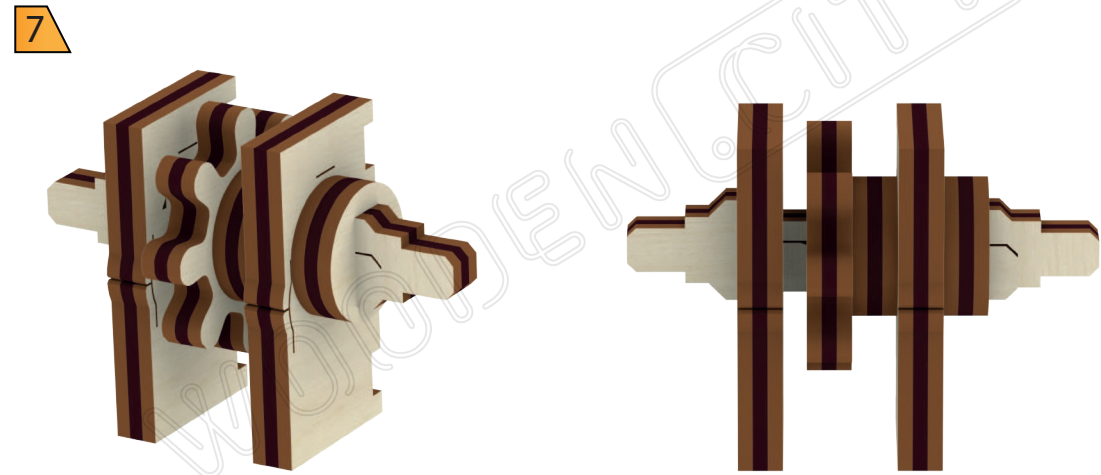
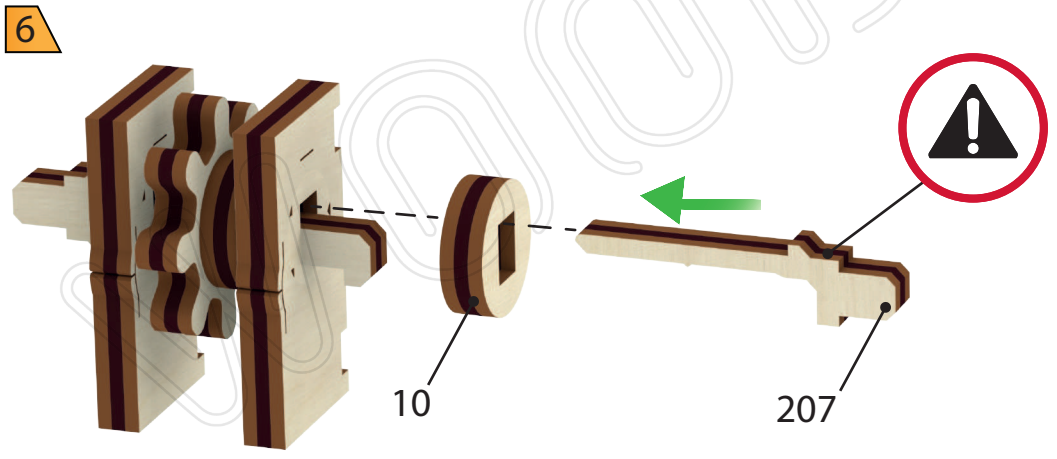
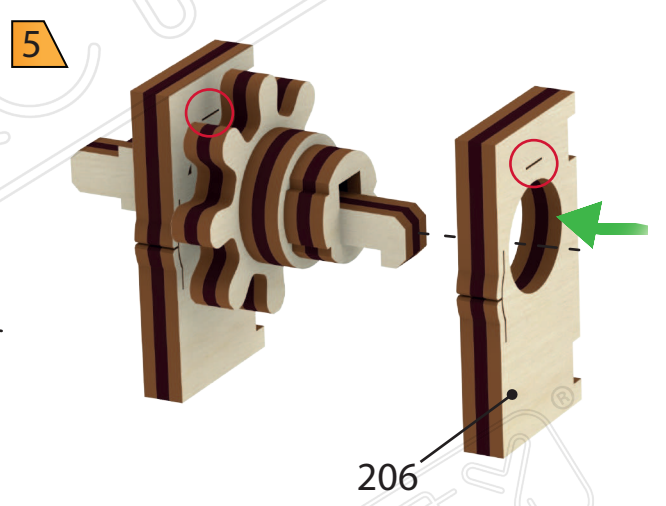
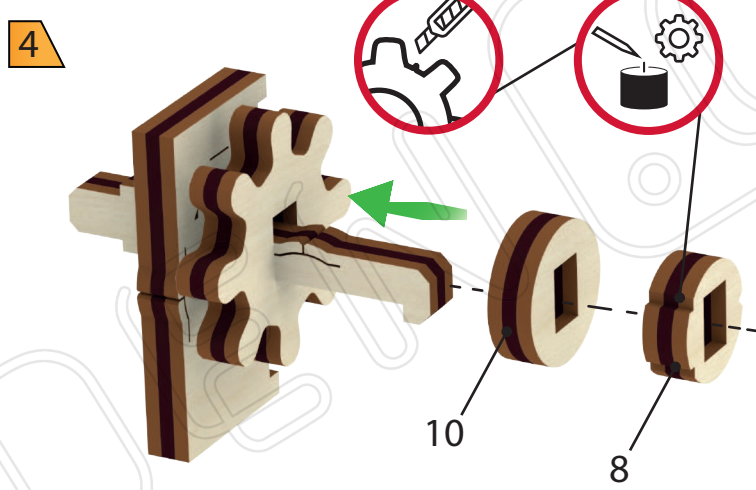
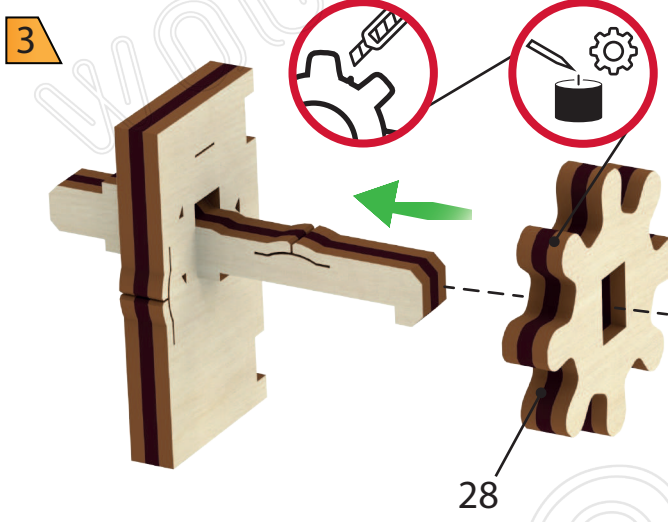
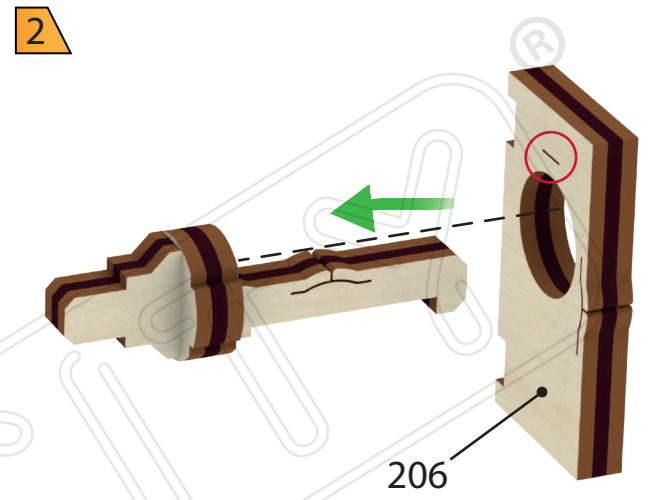
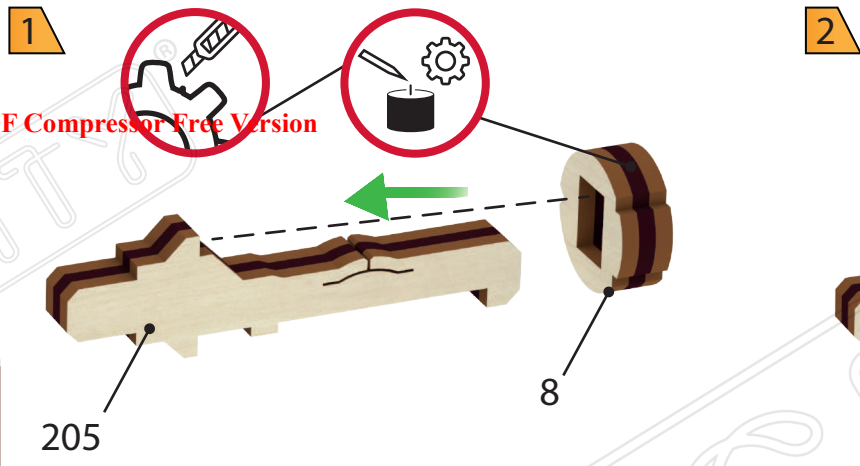
PDF Compressor Free Version



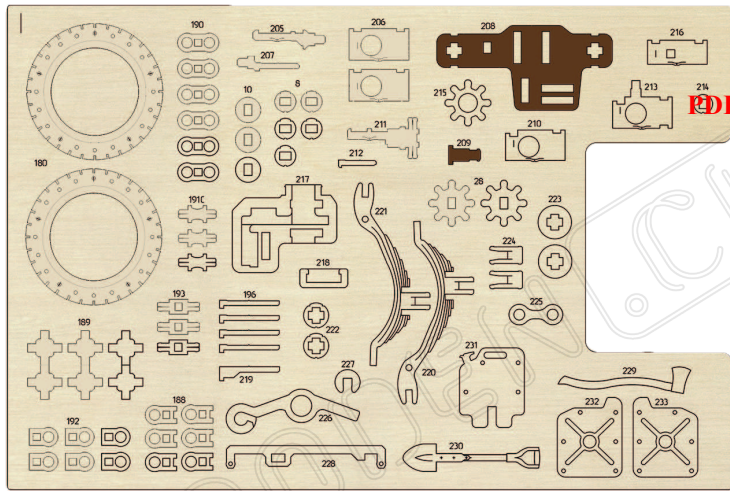




PDF Compressor Free Version

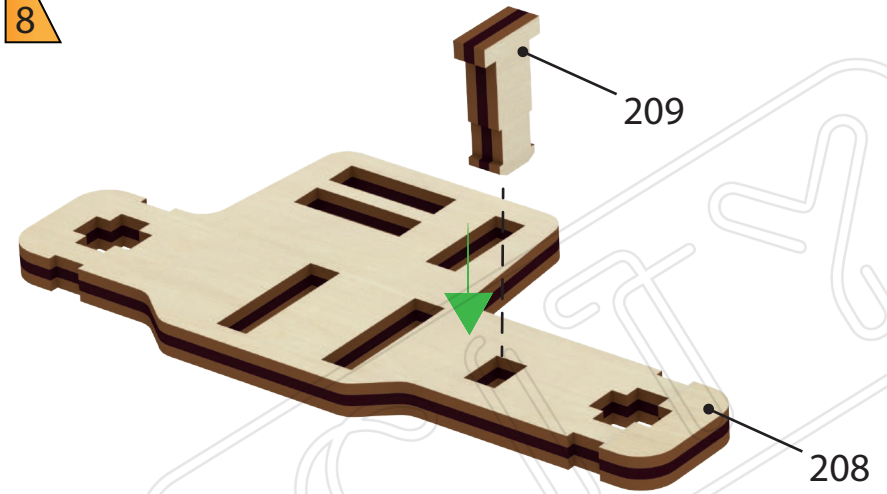




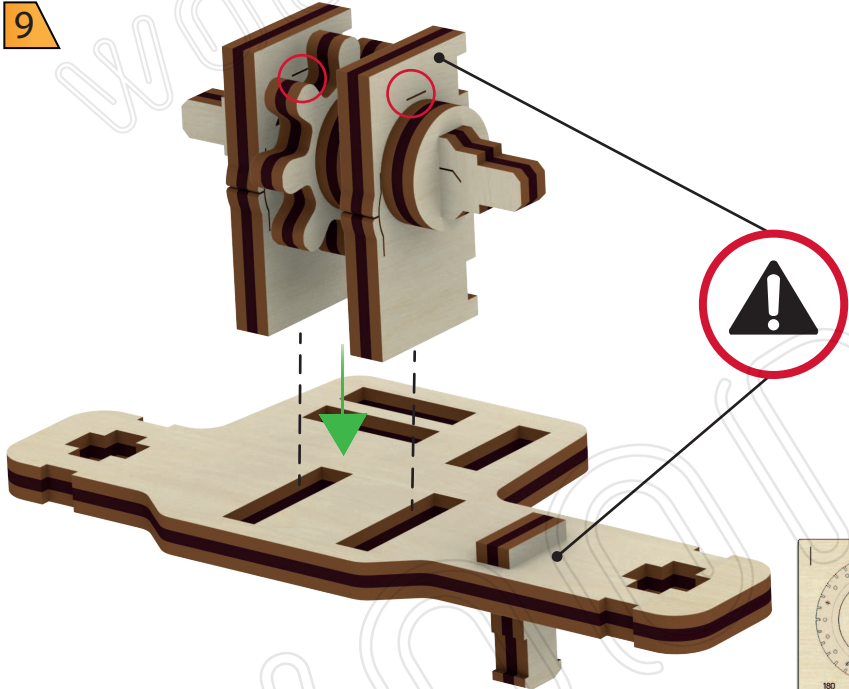


PDF Compressor Free Version

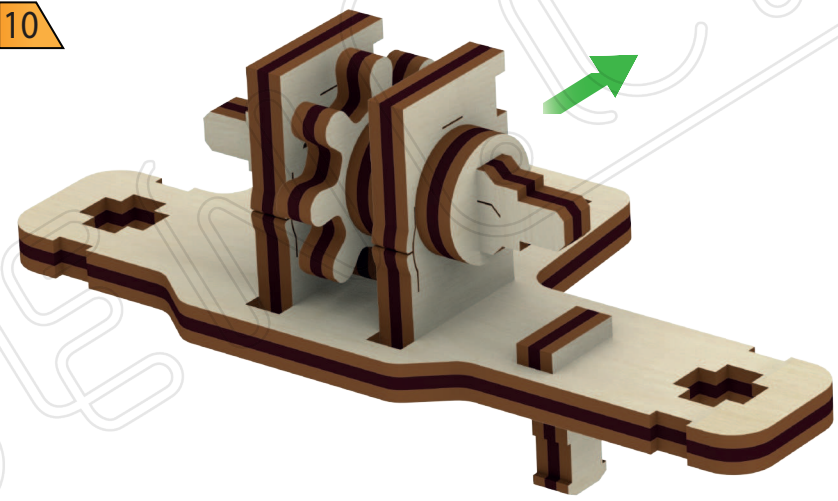
8



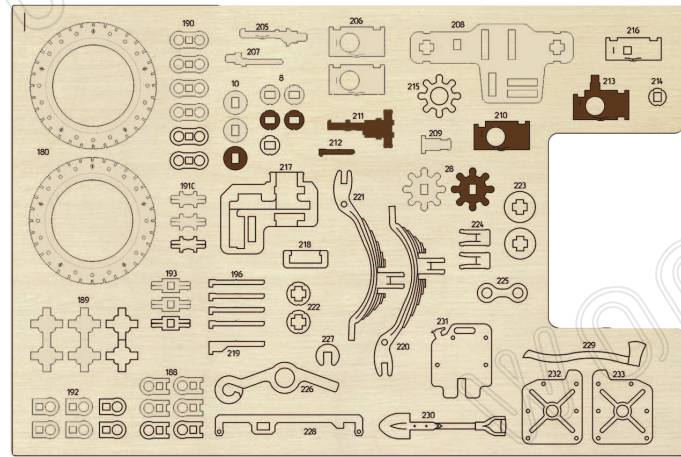
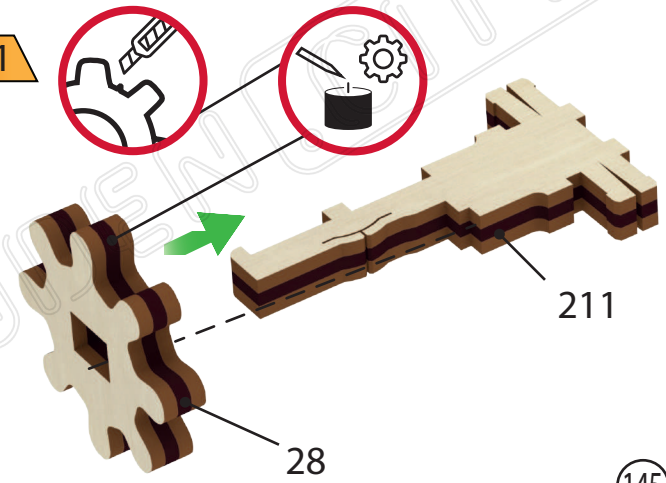
9



10

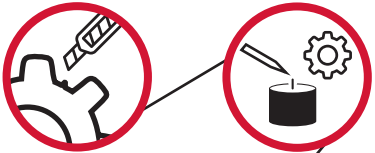


1



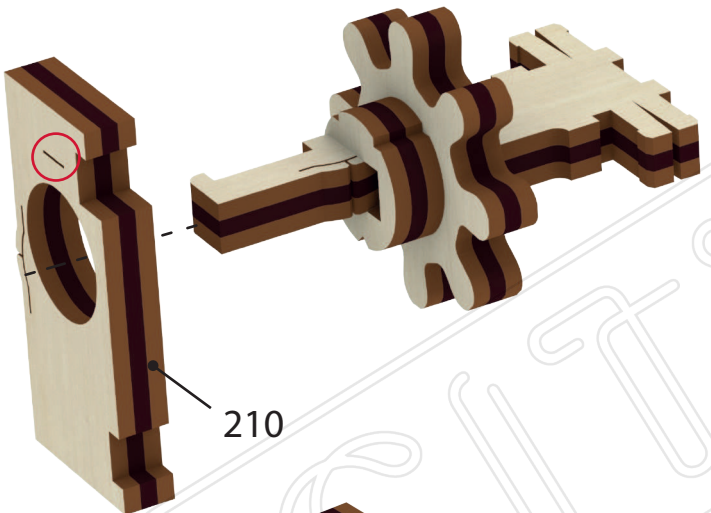


2



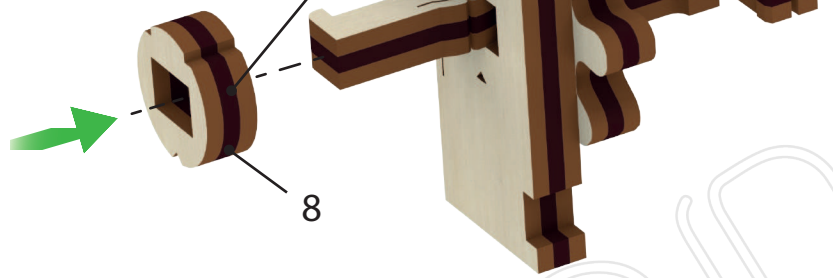
8

3



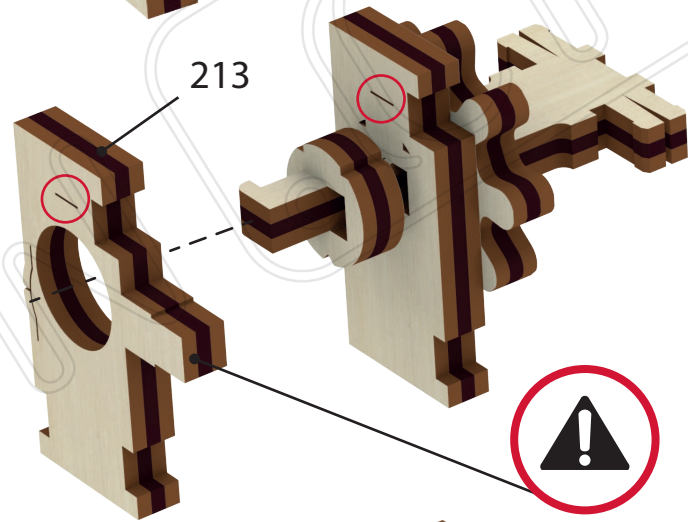
210

4



8

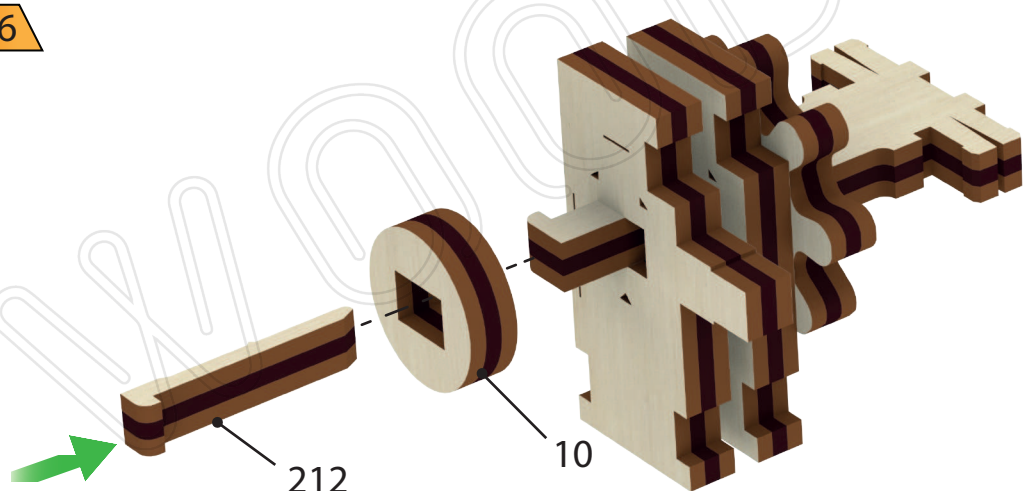
5



213



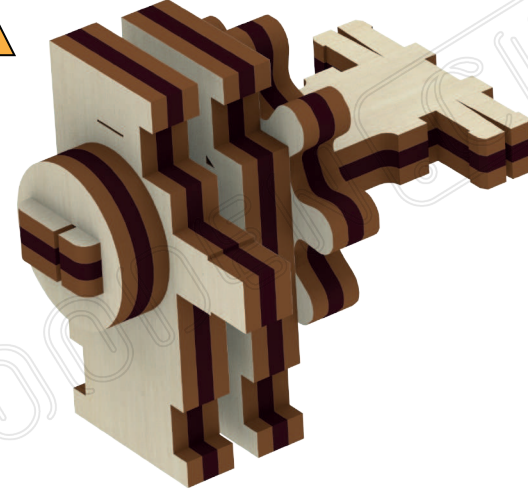
6



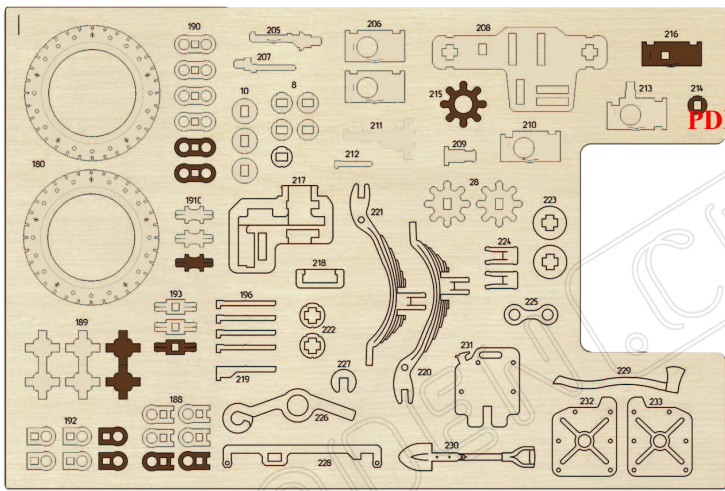
212

10

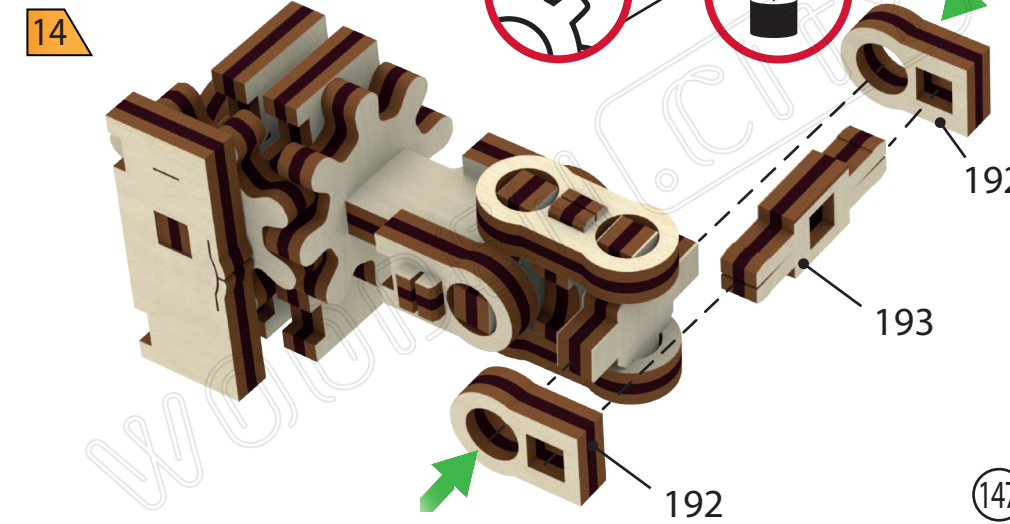
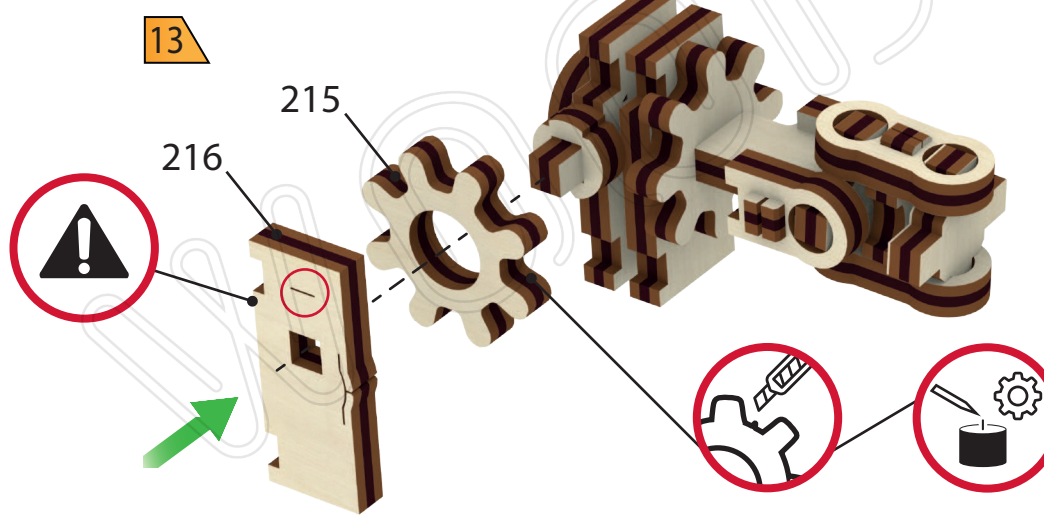
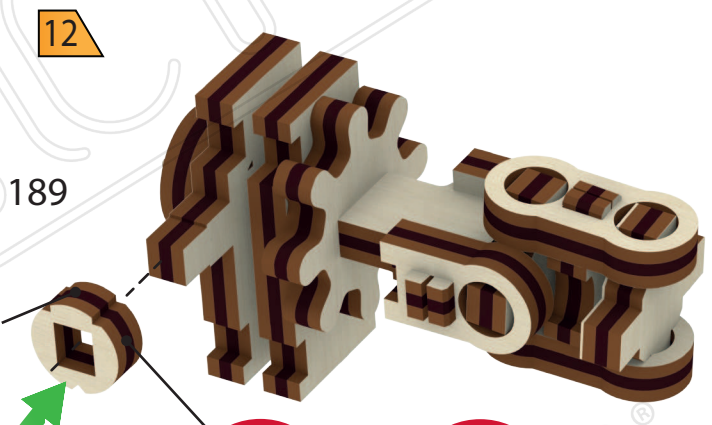
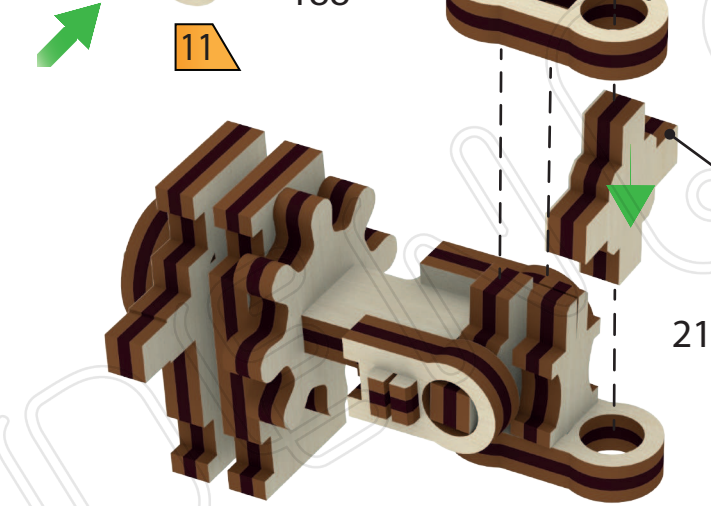
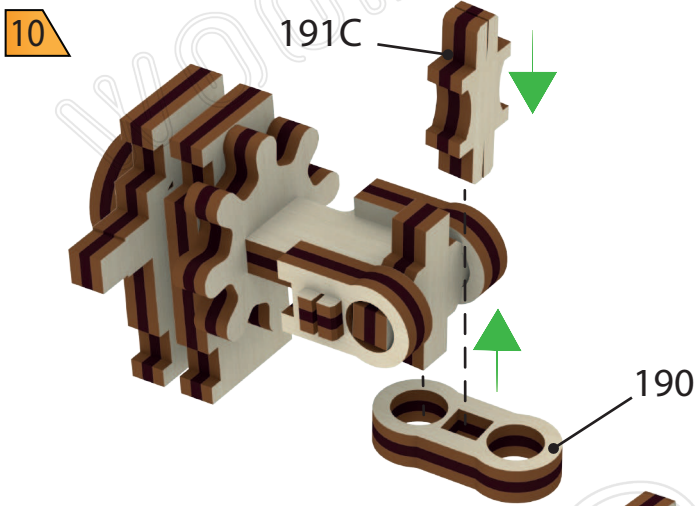
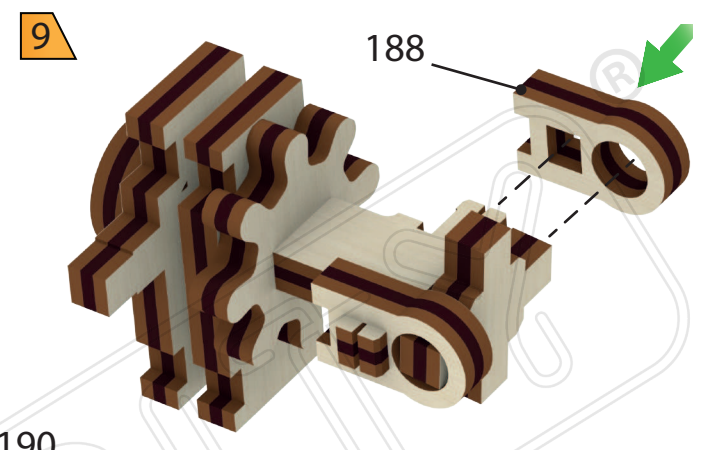
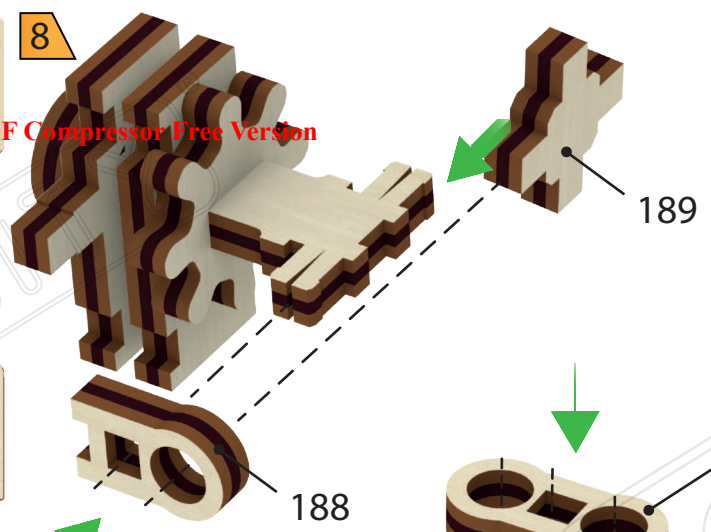
7



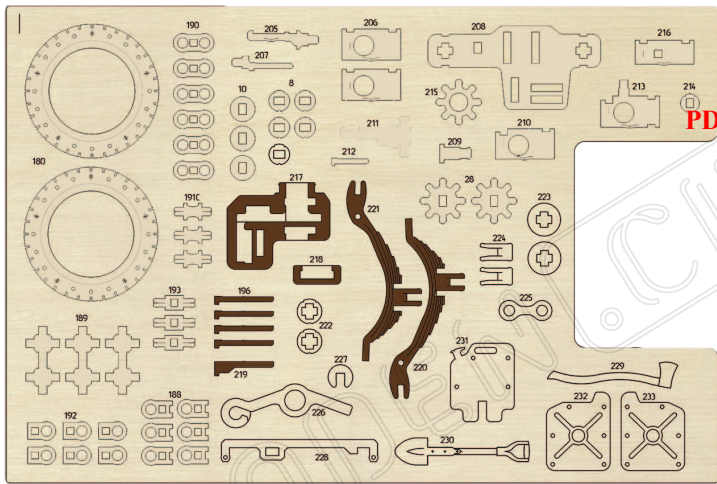




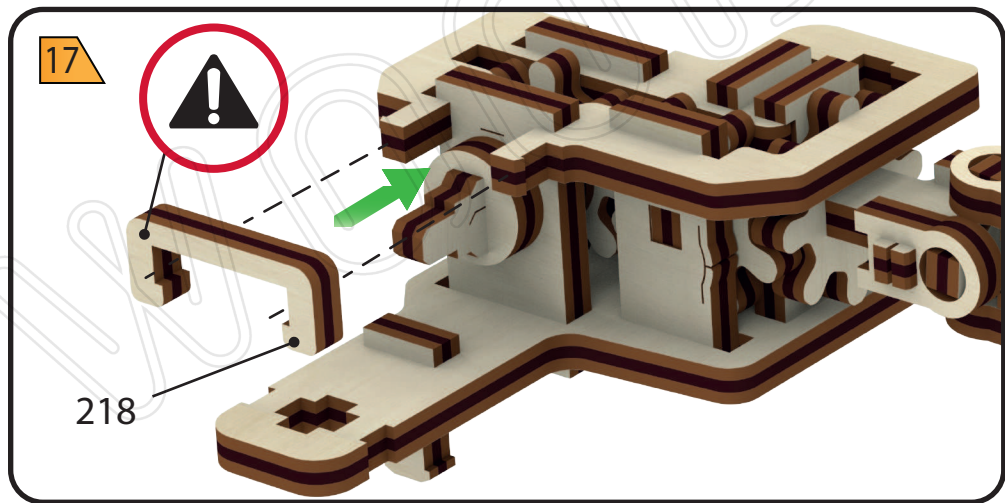
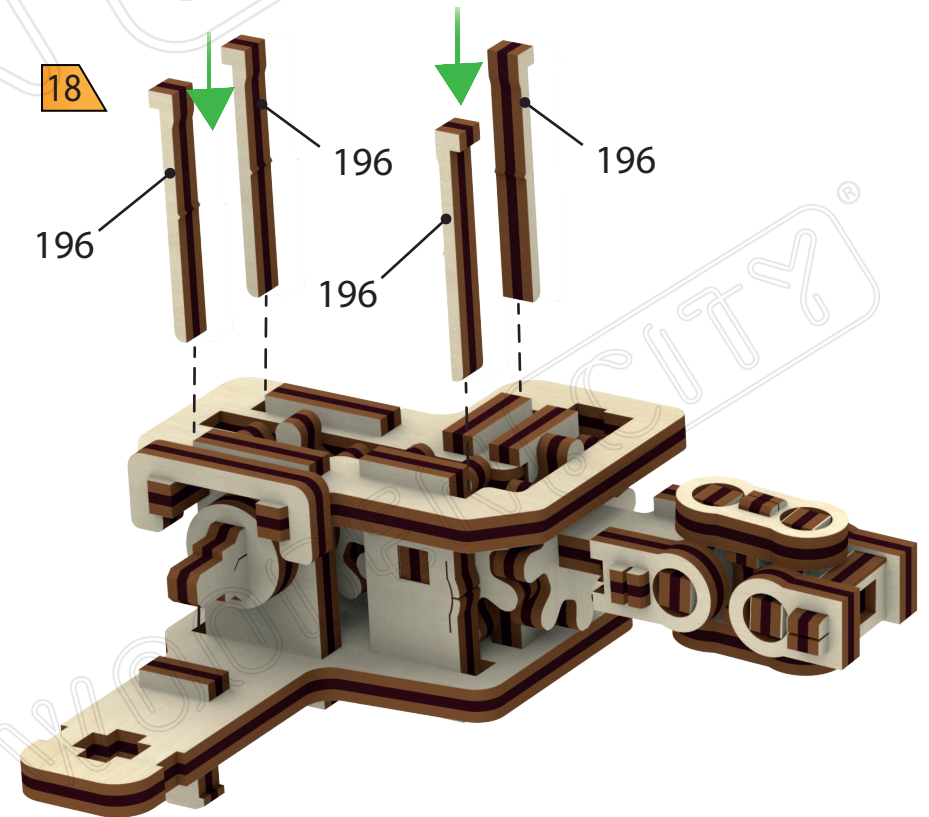
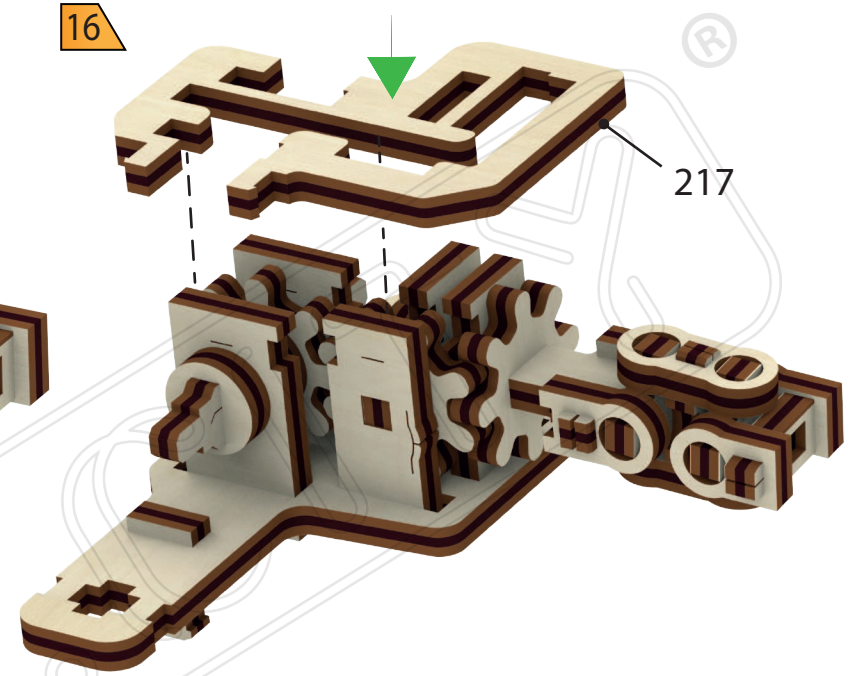
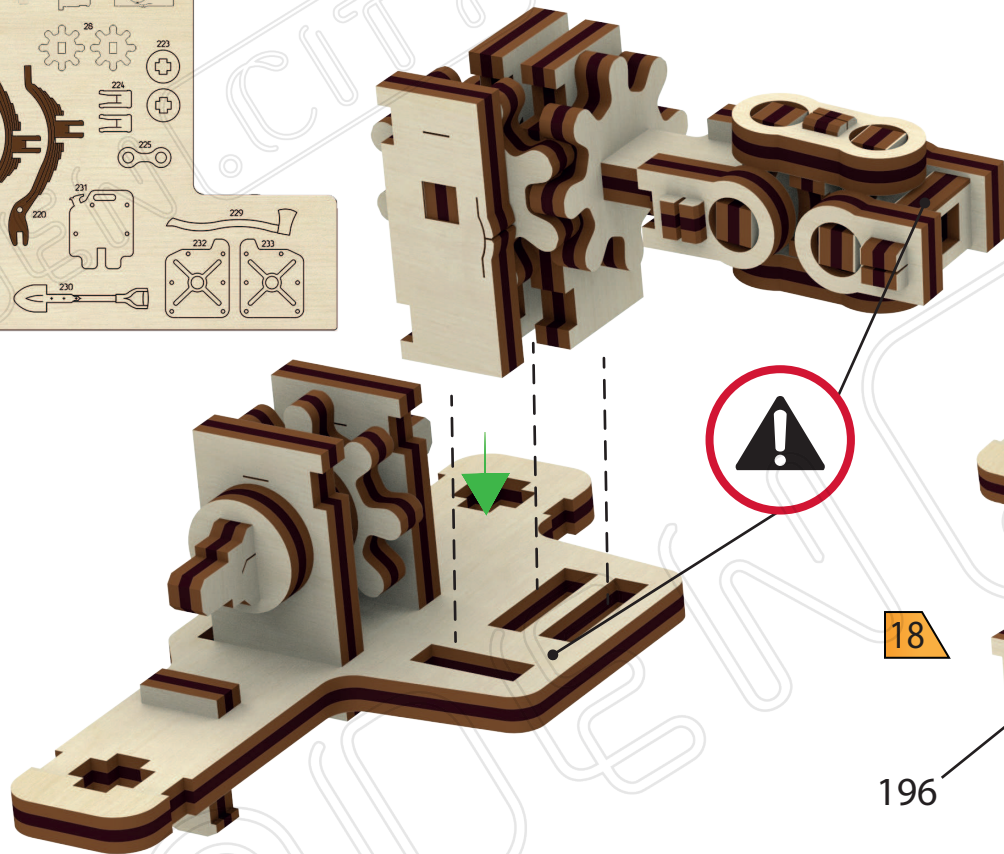
PDF Compressor Free Version





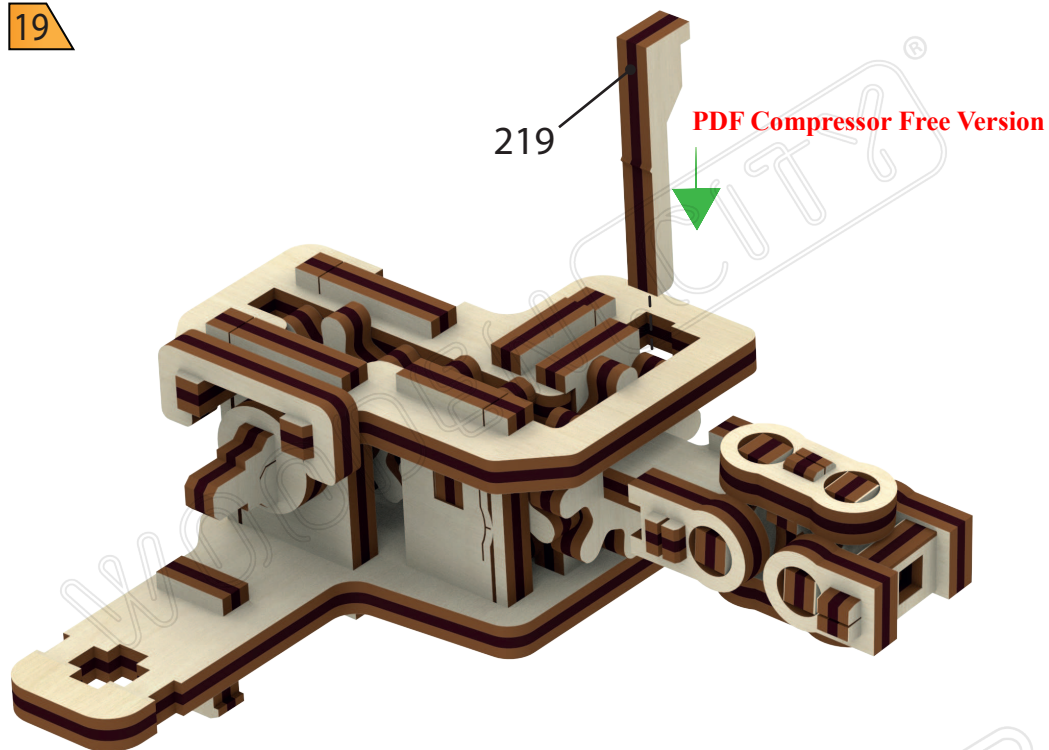


15 PDF Compressor Free Version

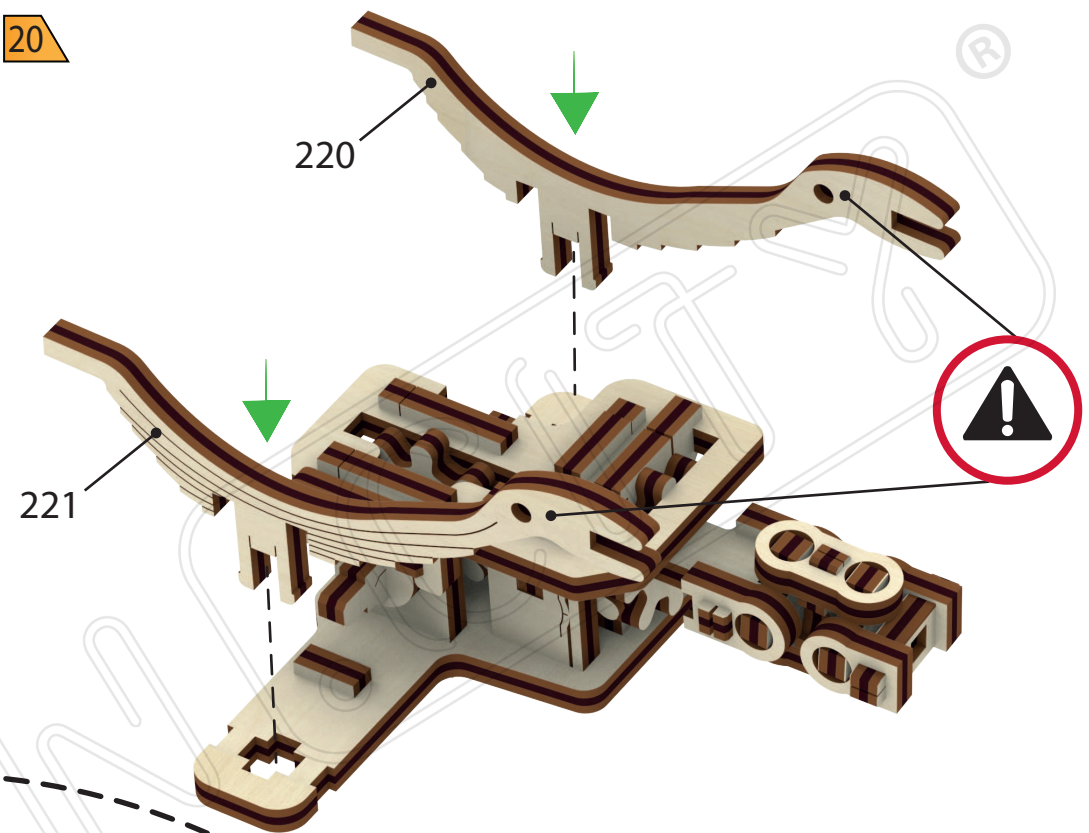




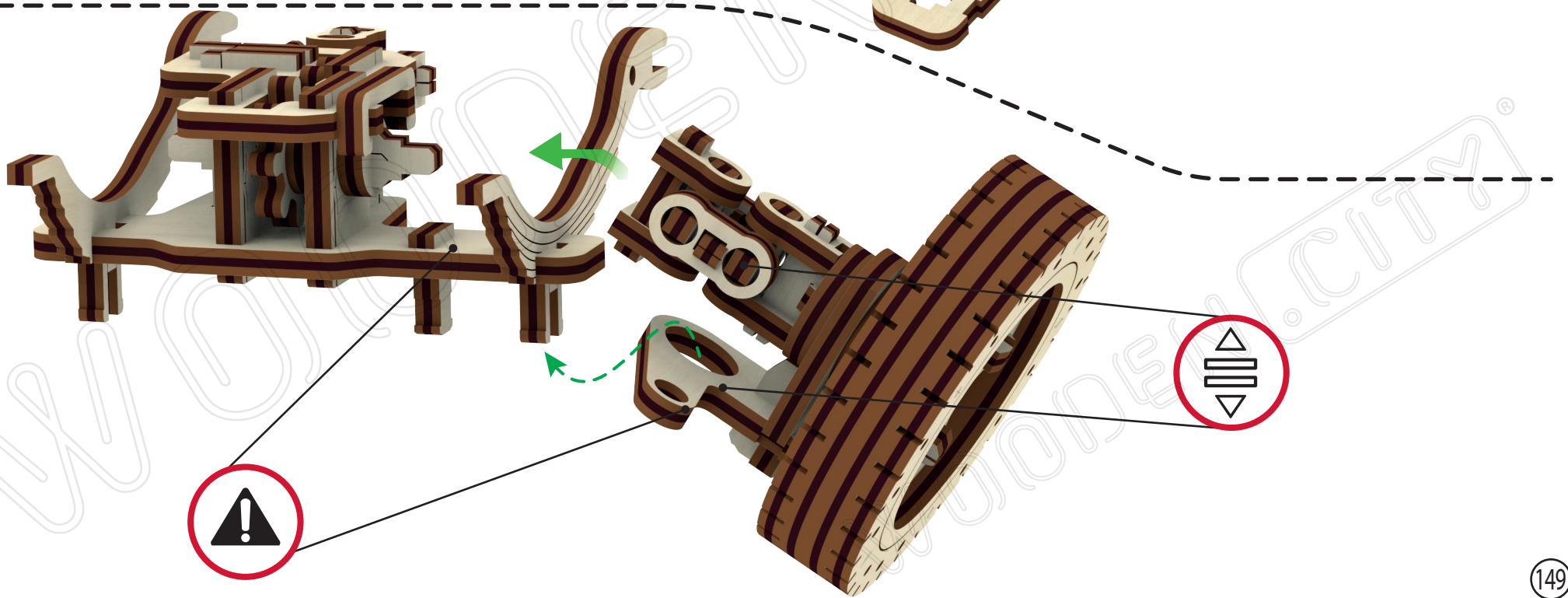
19



20

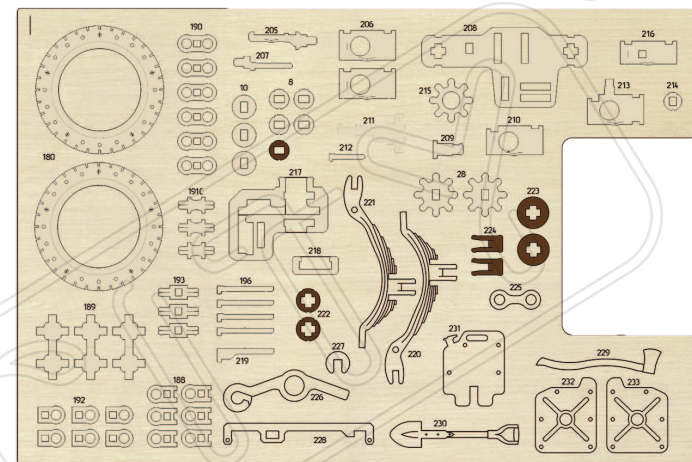
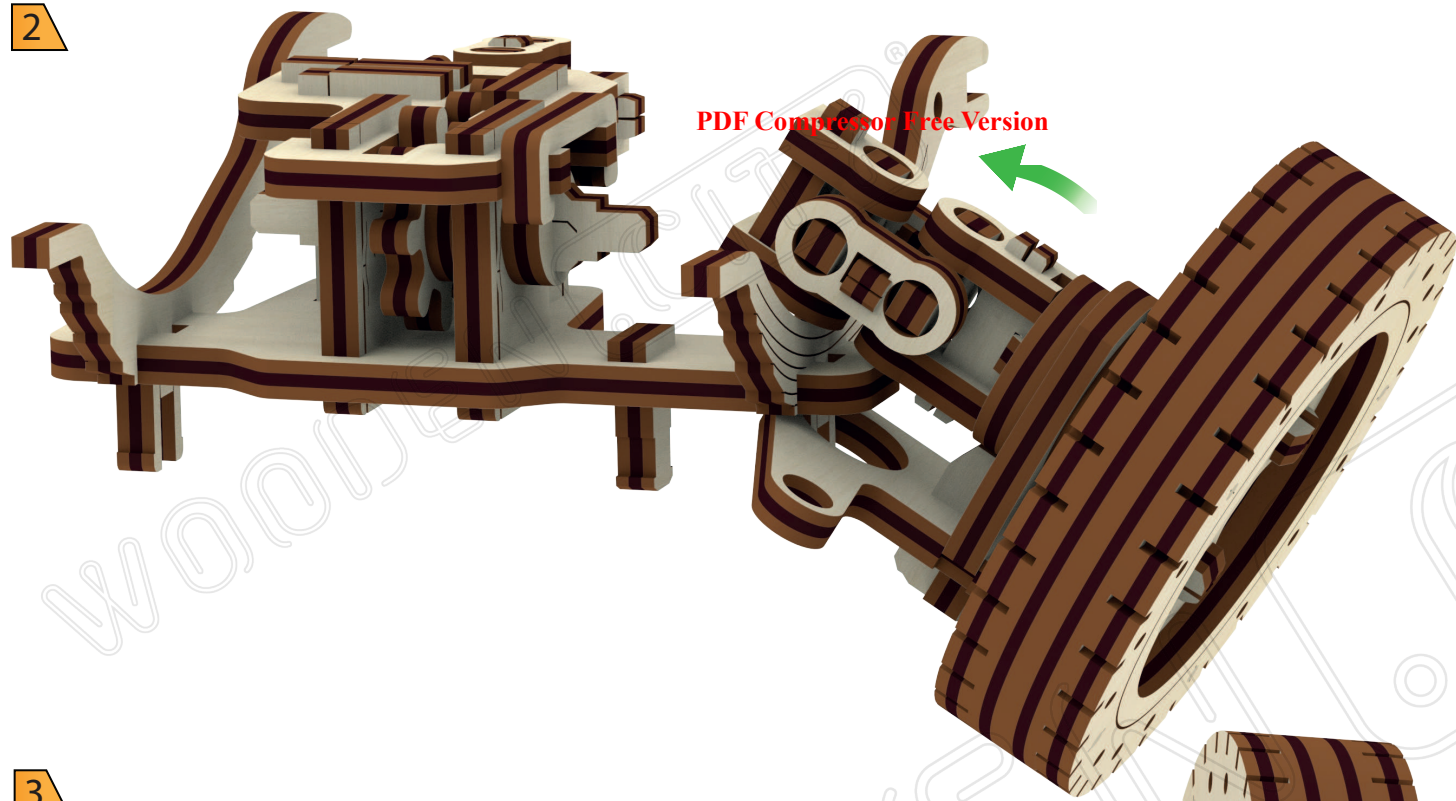


1

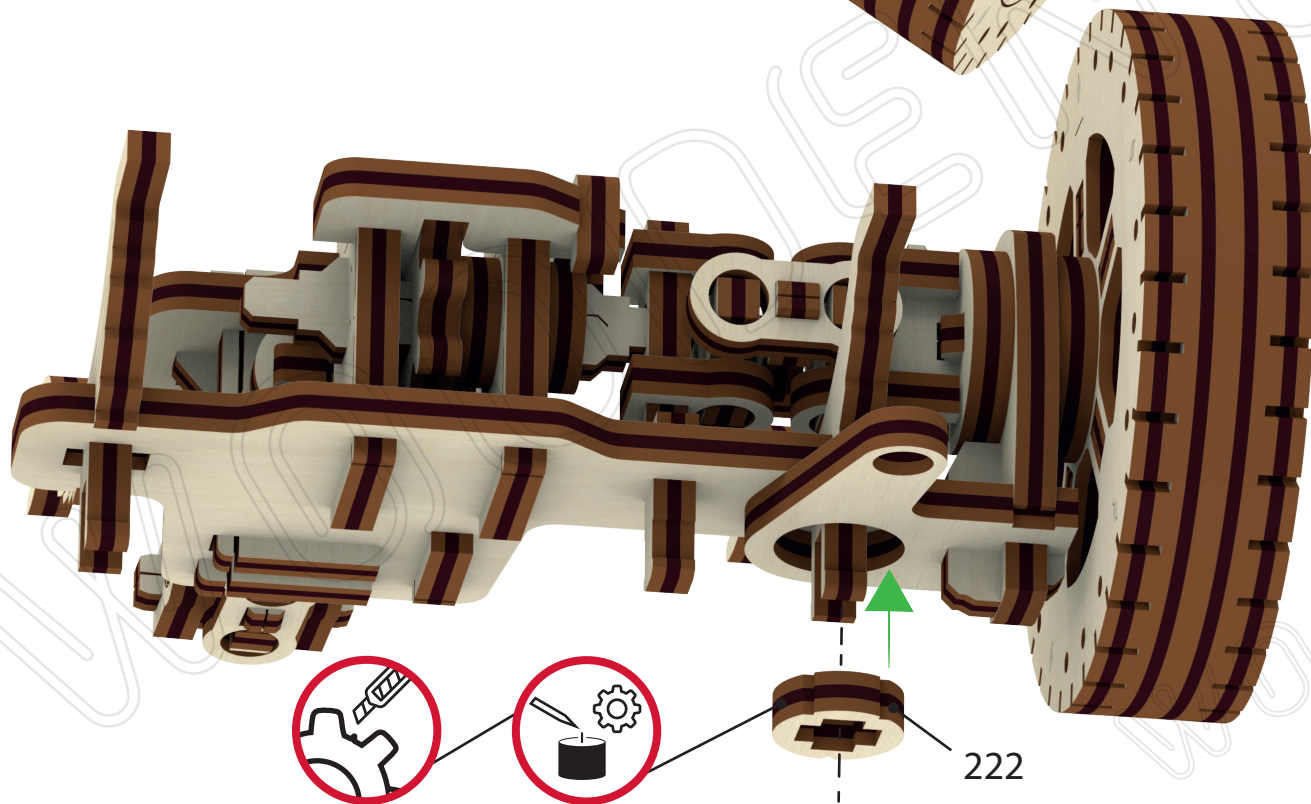




2



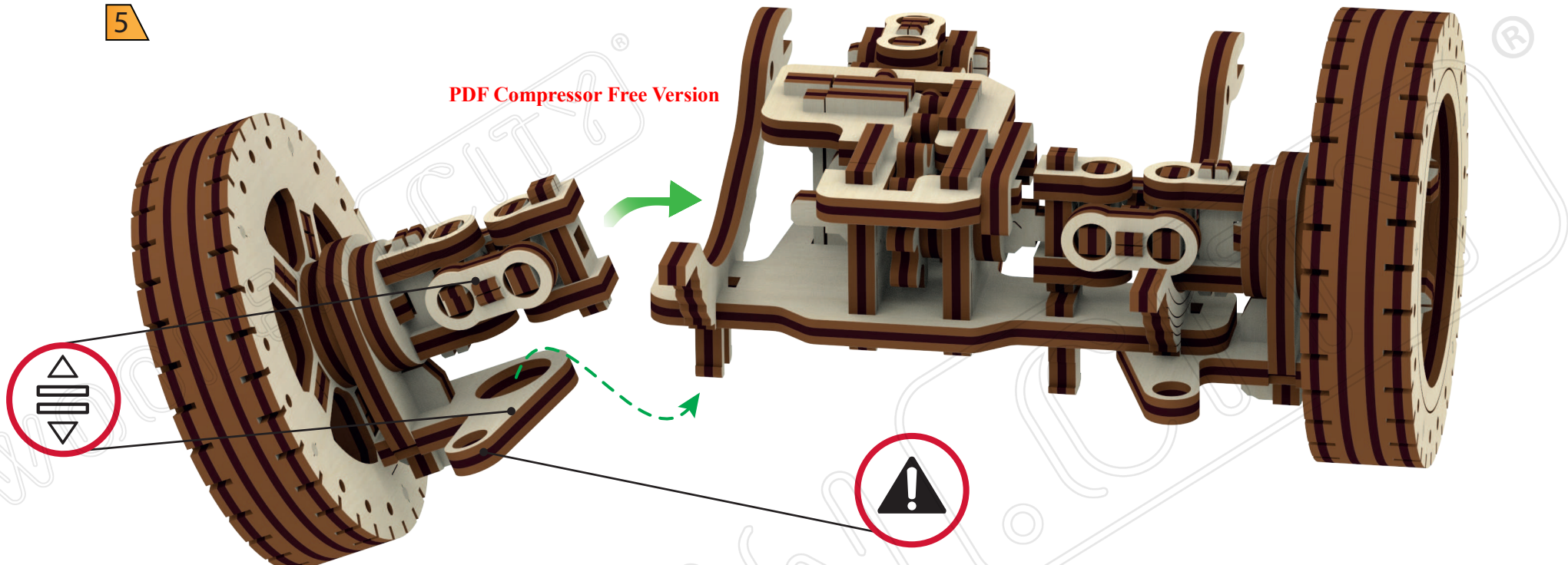
3



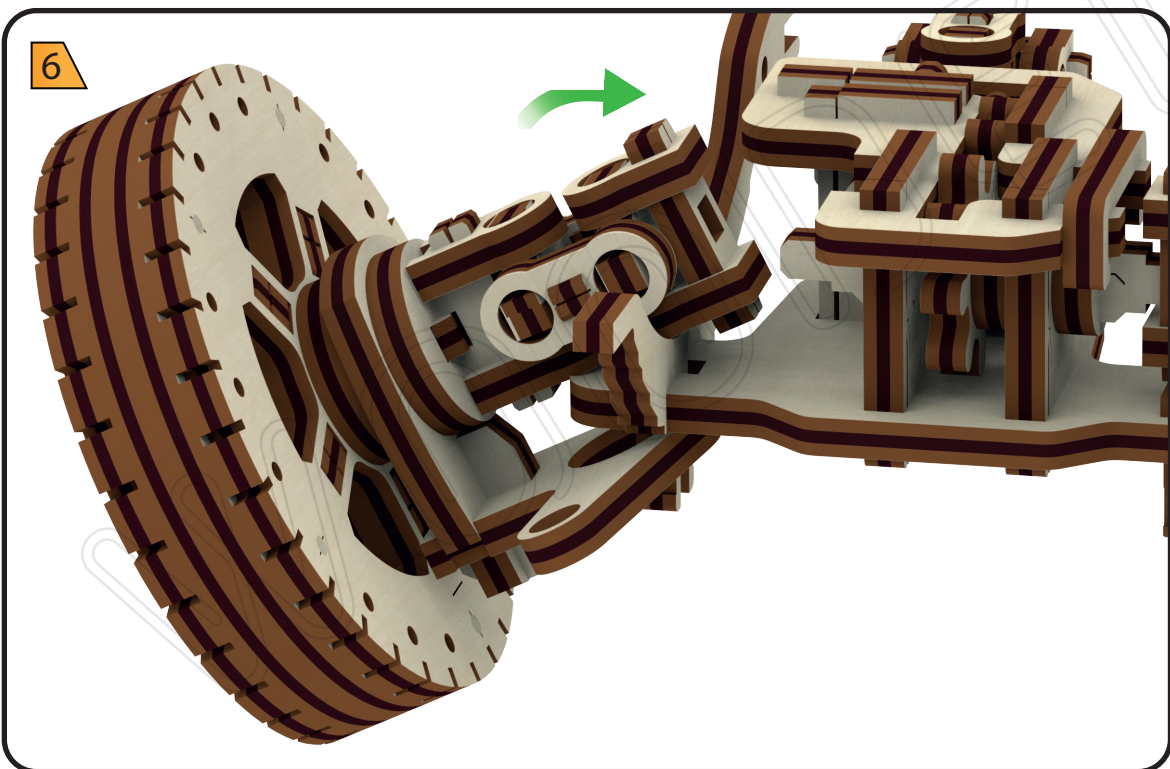


5

PDF Compressor Free Version



6



7

