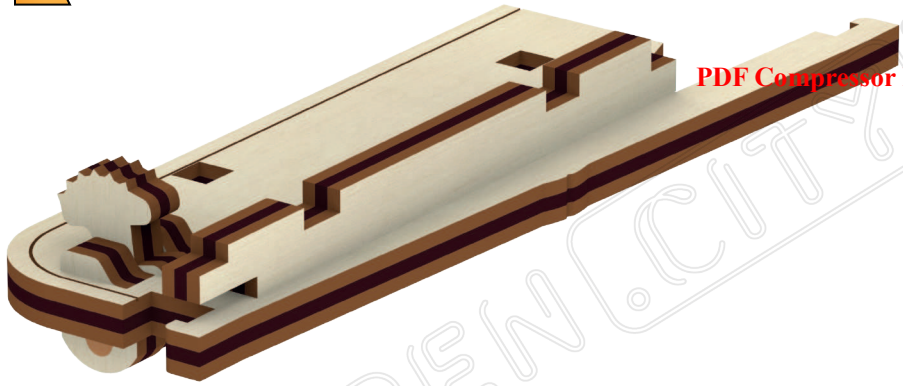
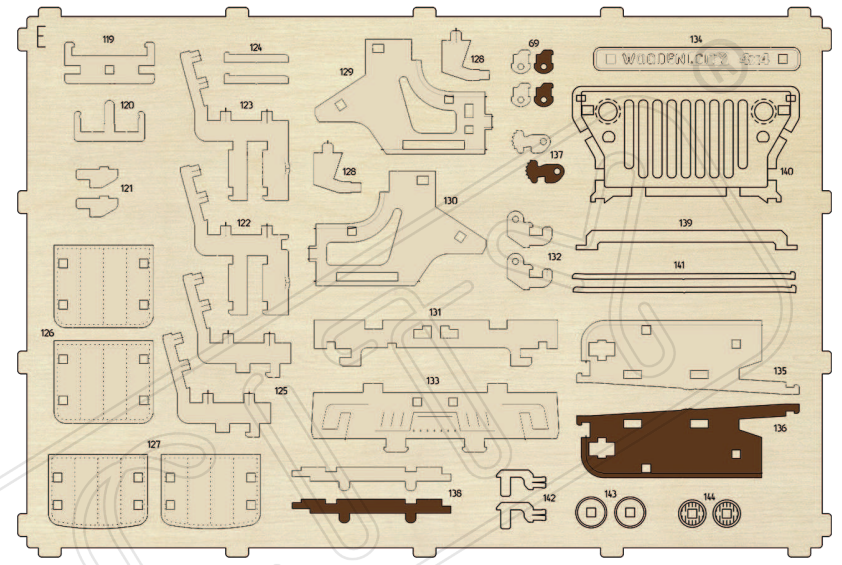
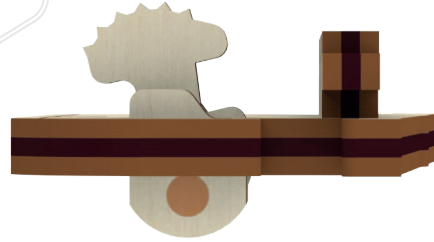


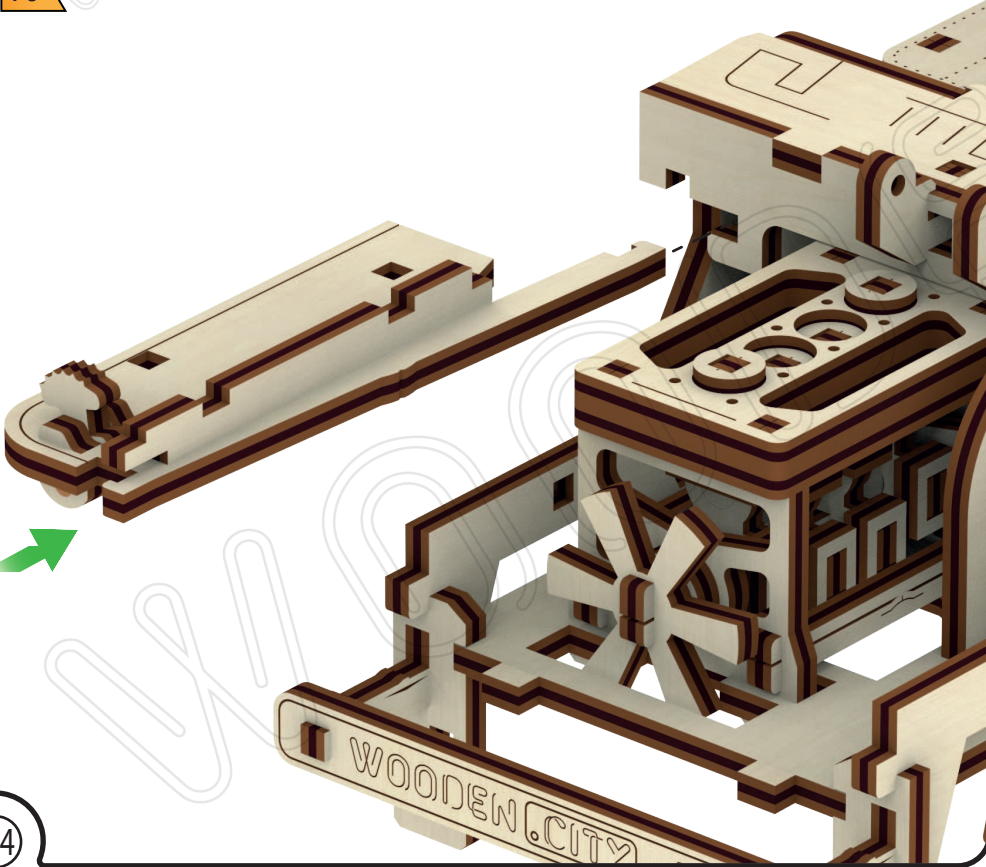
9



PDF Compressor Free Version

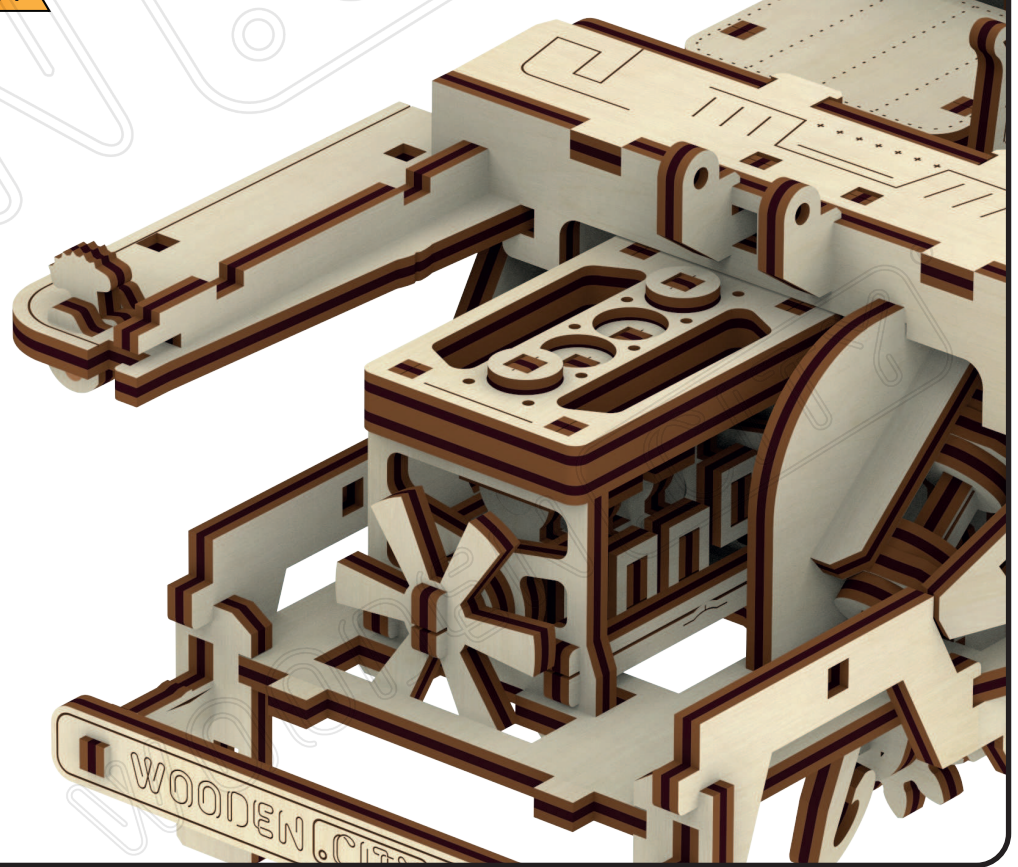


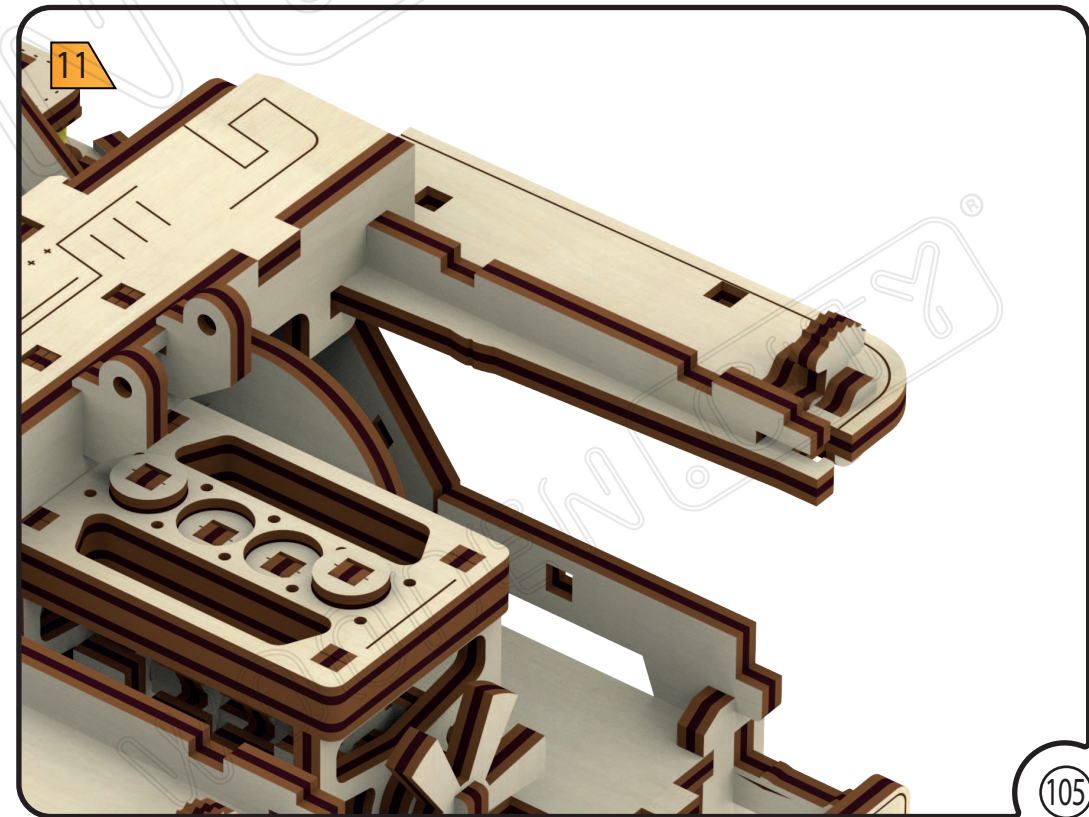
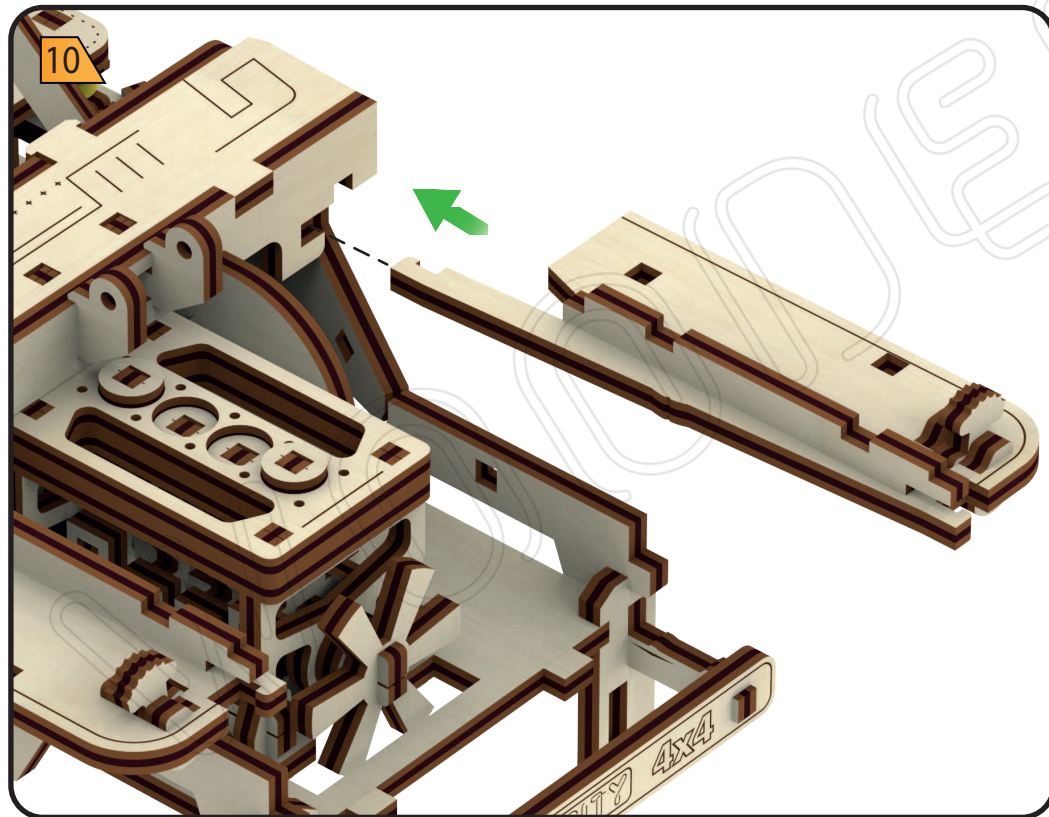
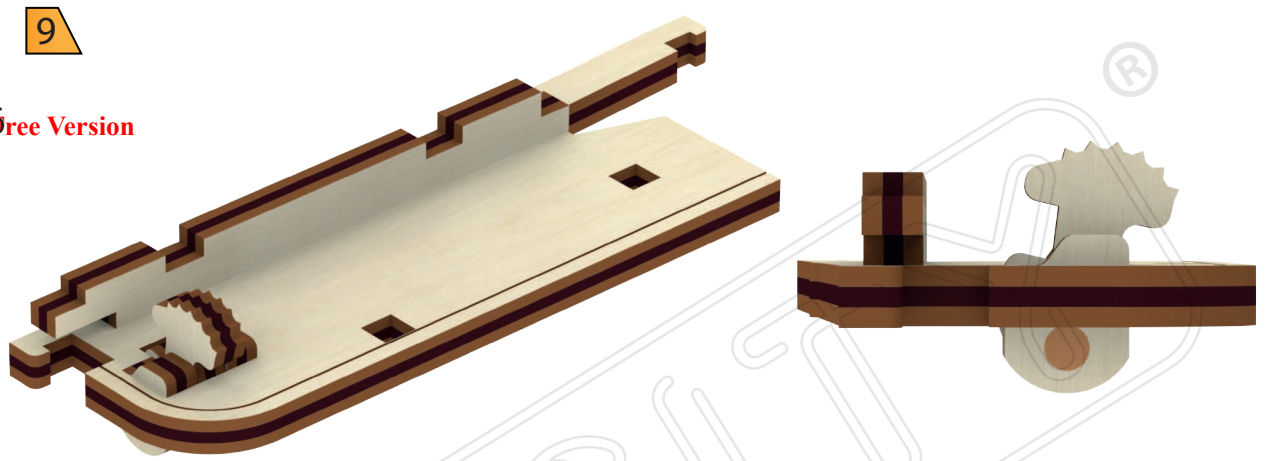
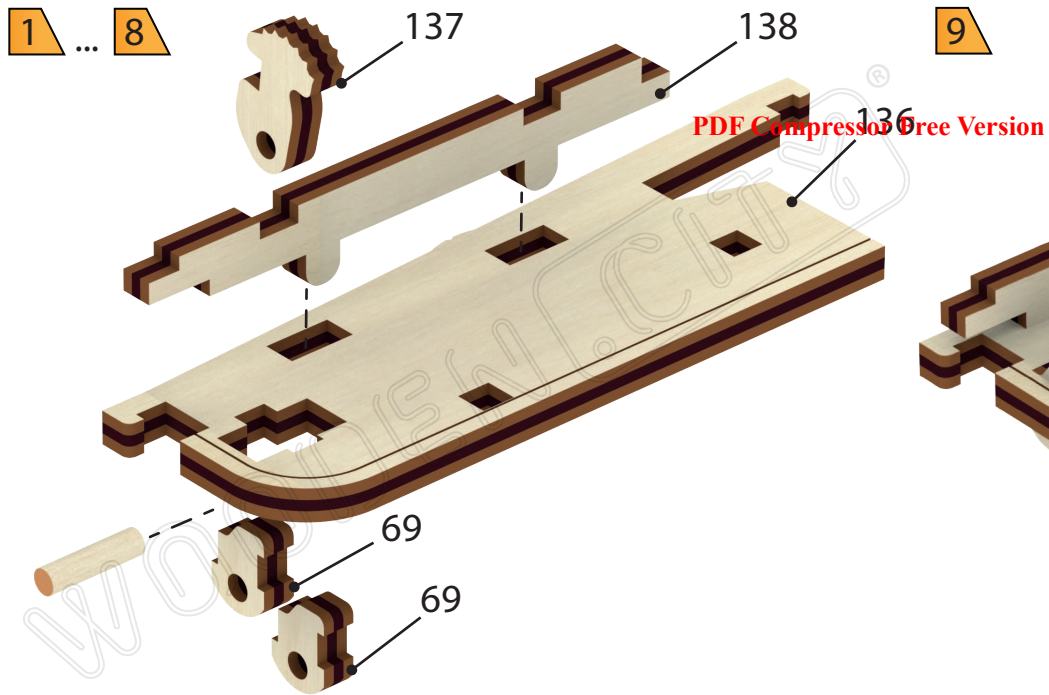
10

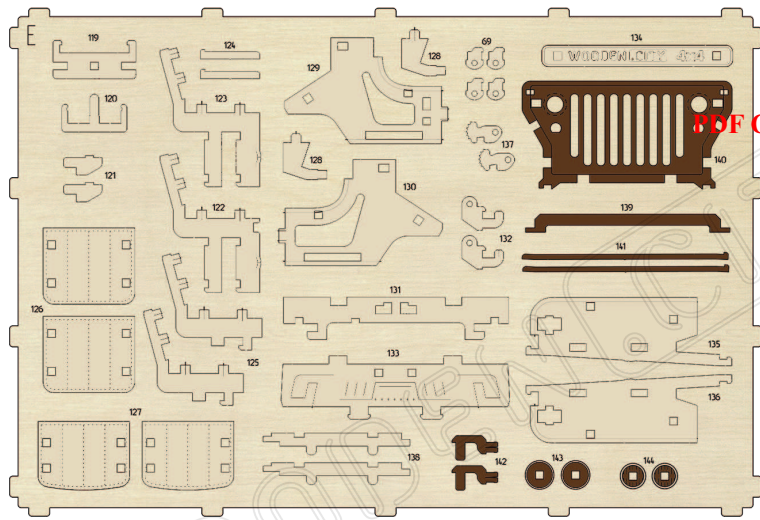


104

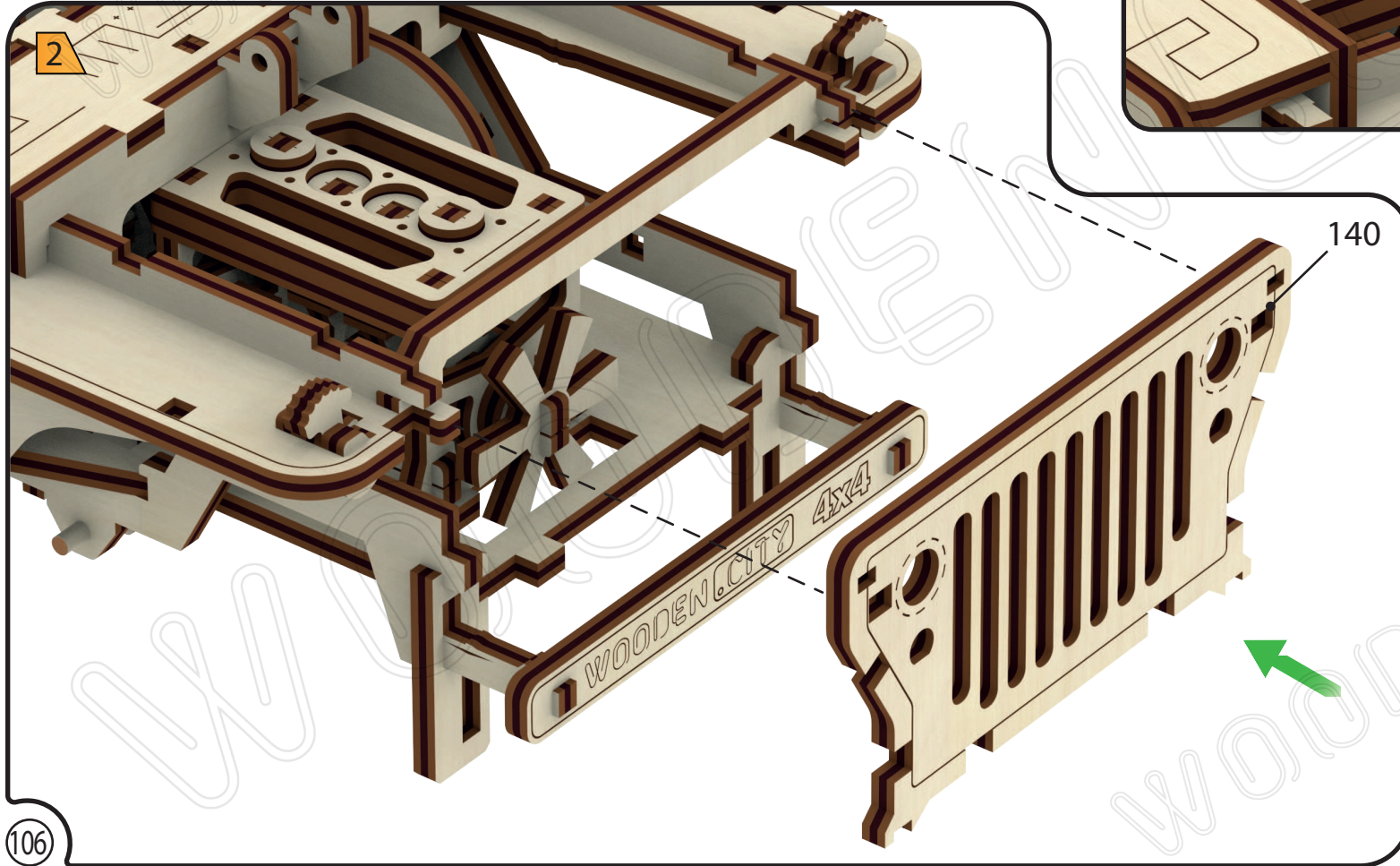
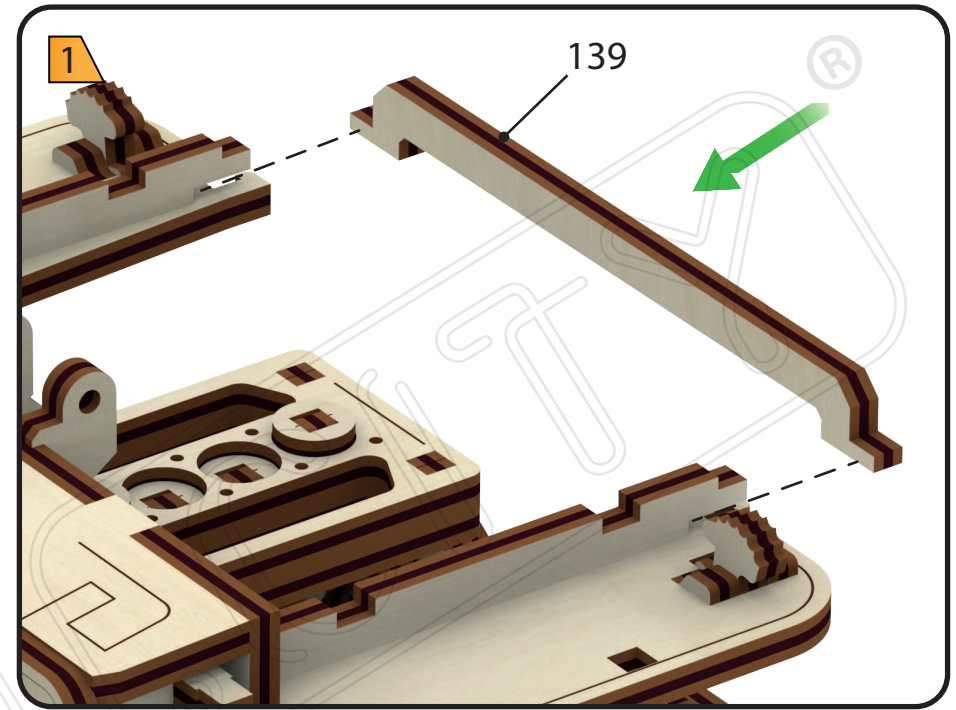
11

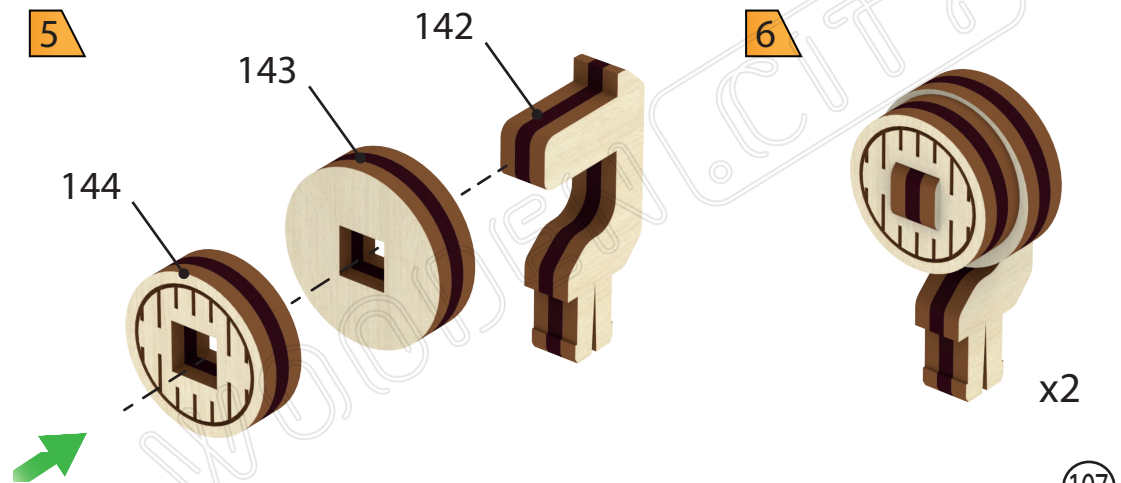
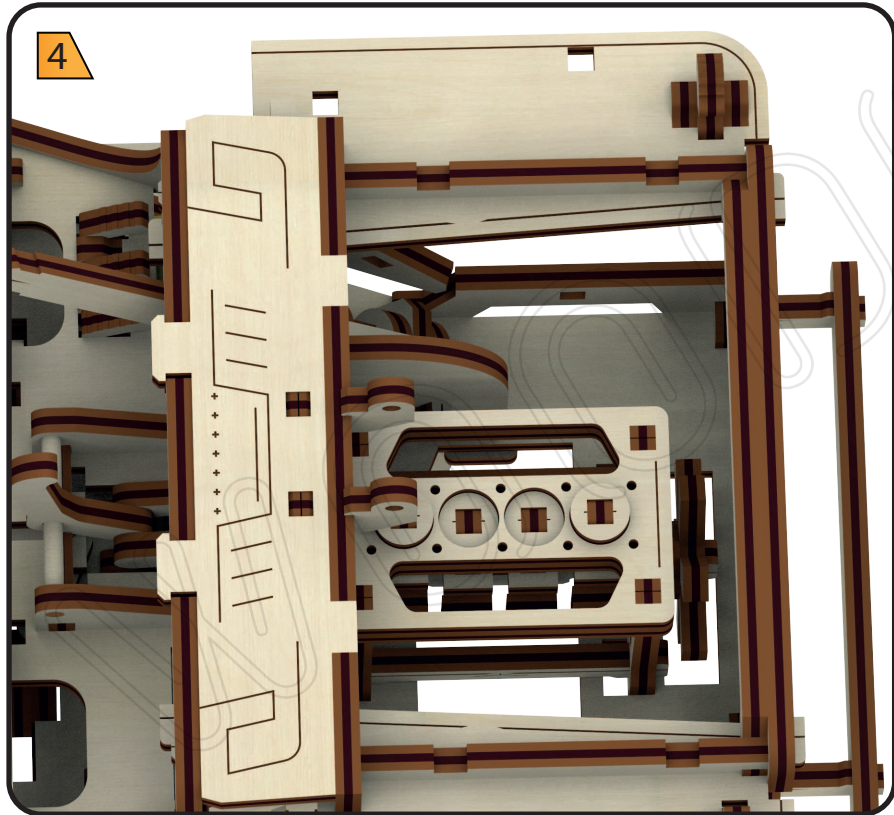
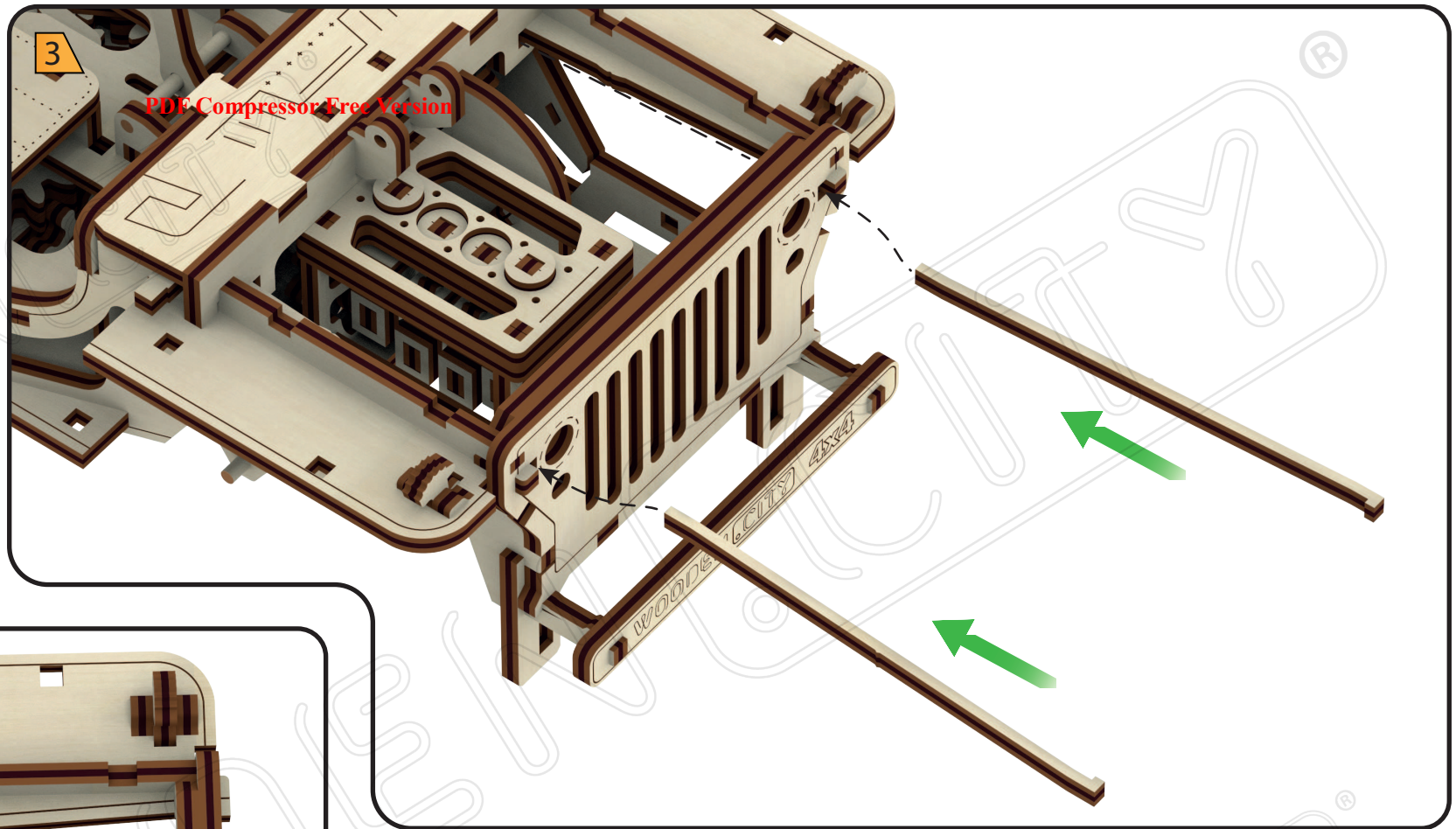


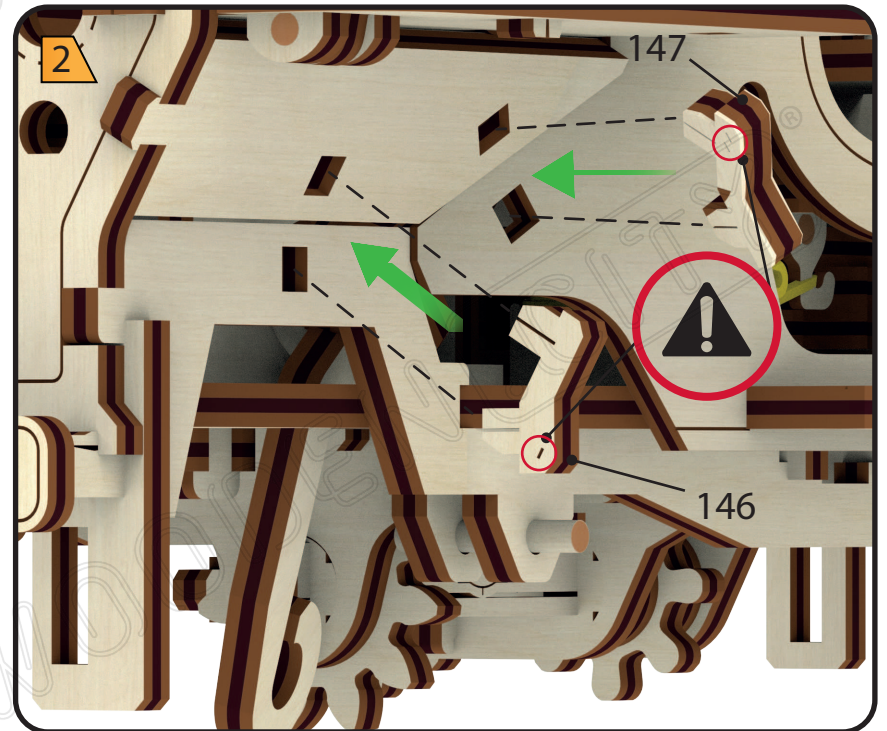
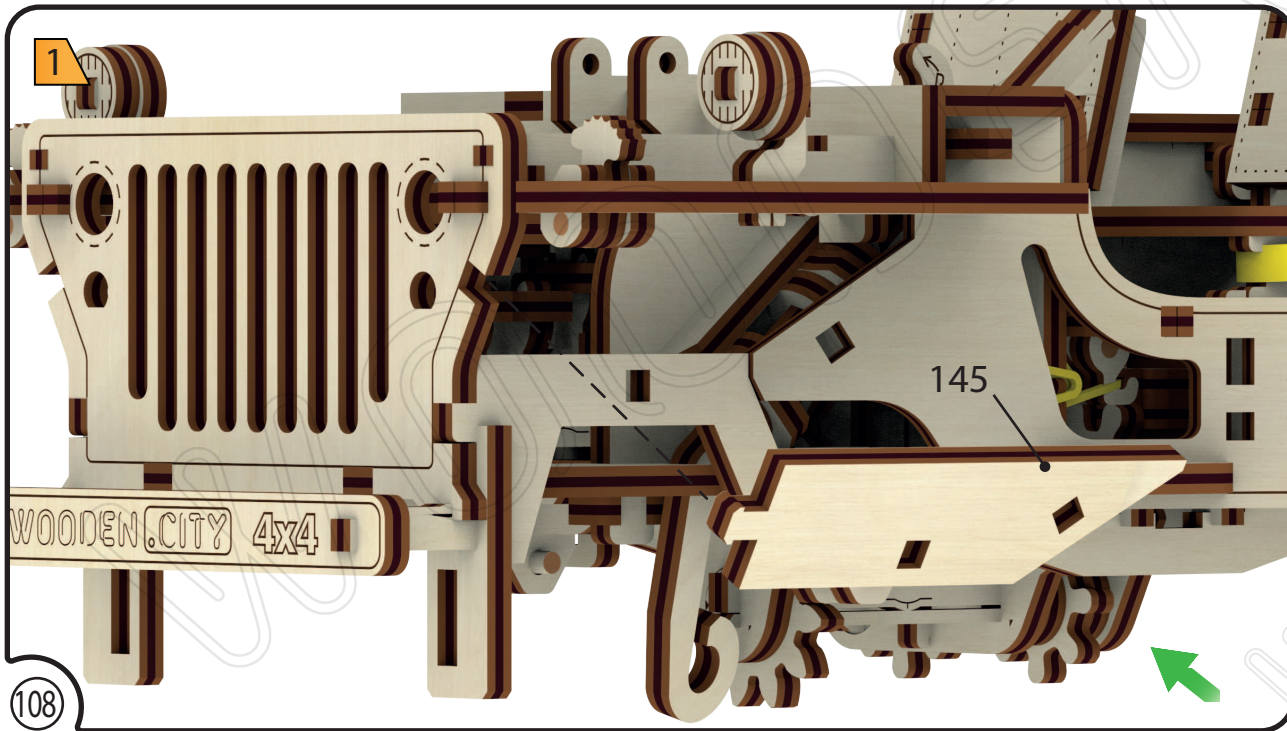
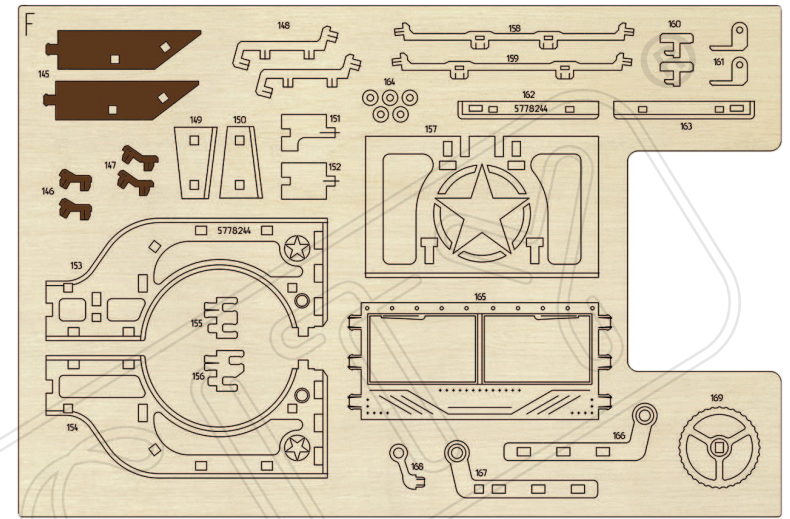
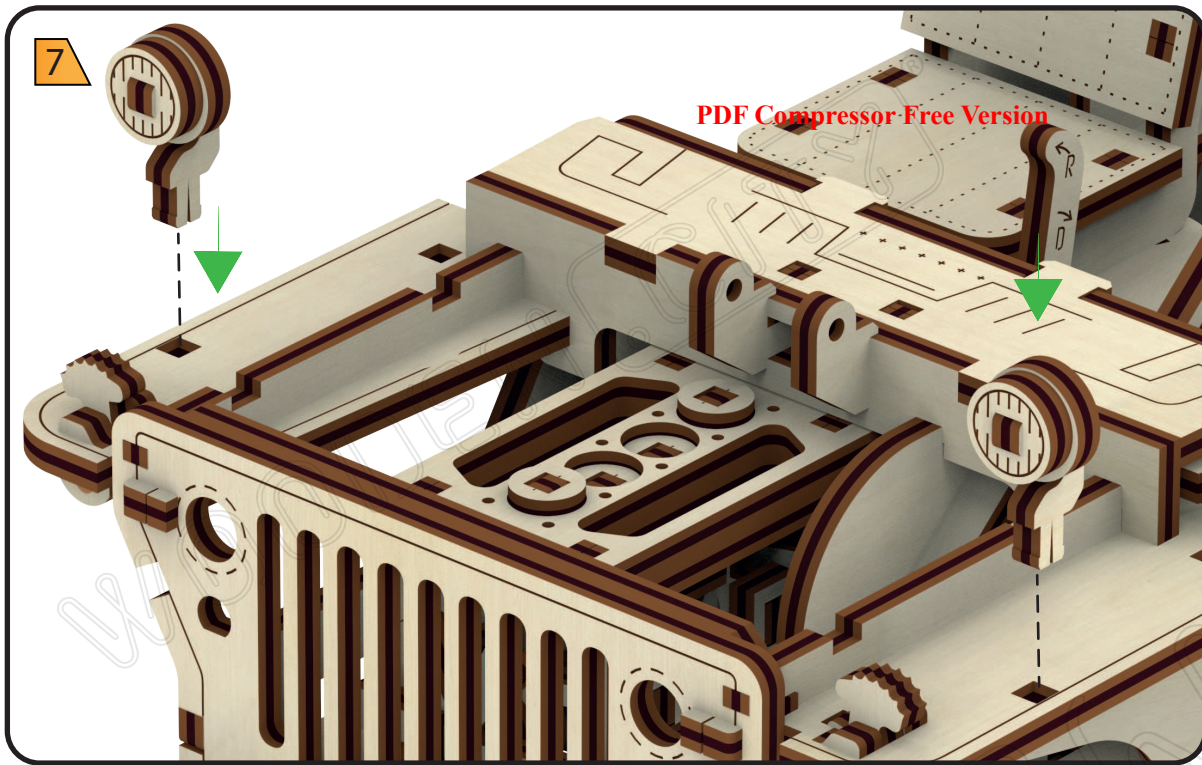


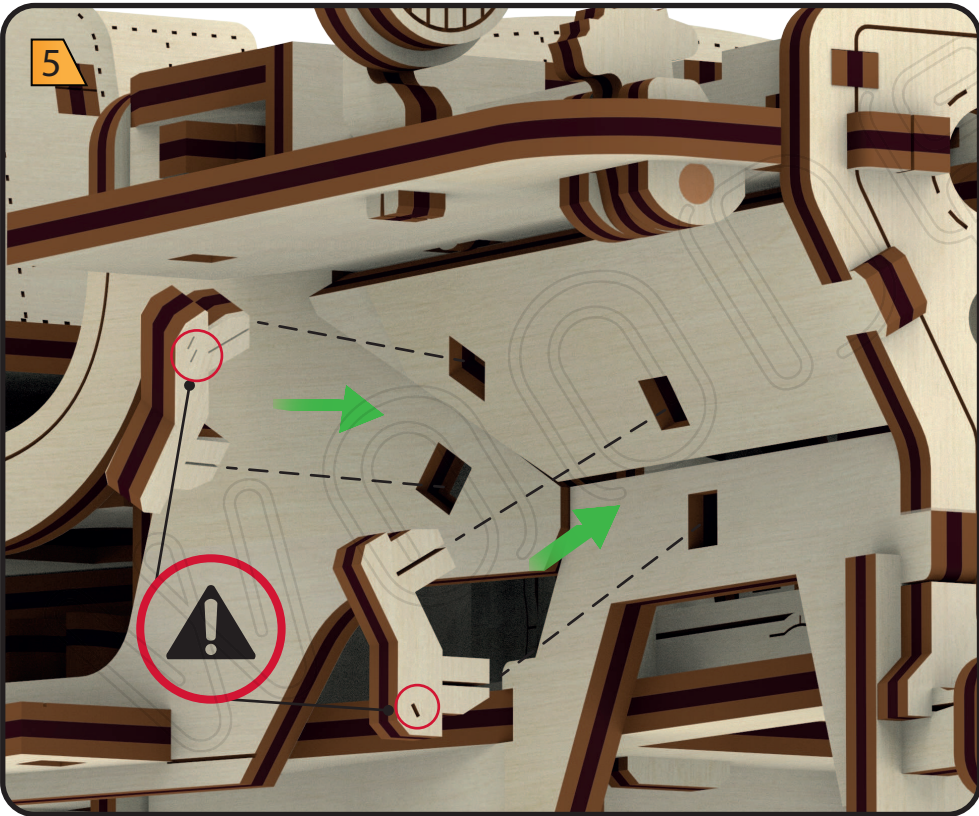
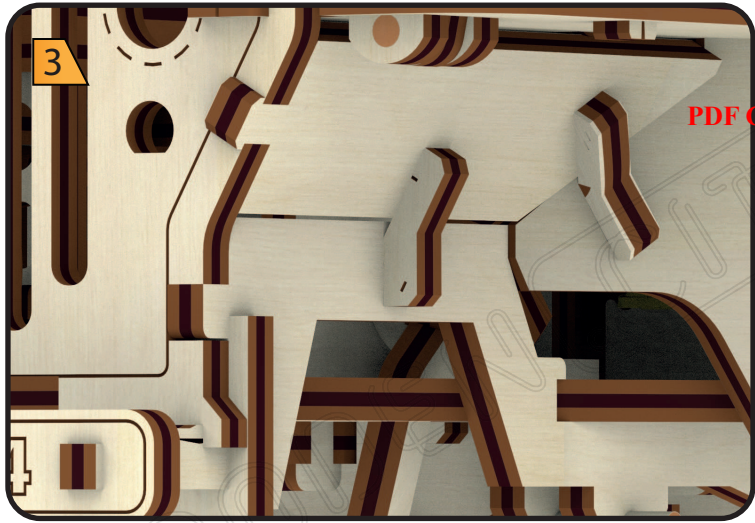


RF Compressor Free Version

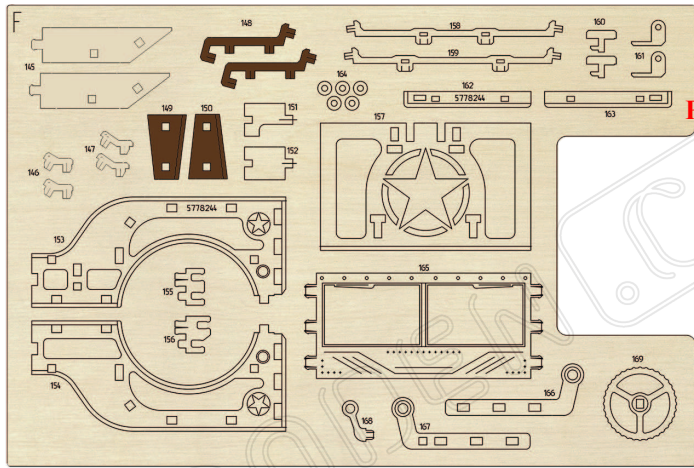




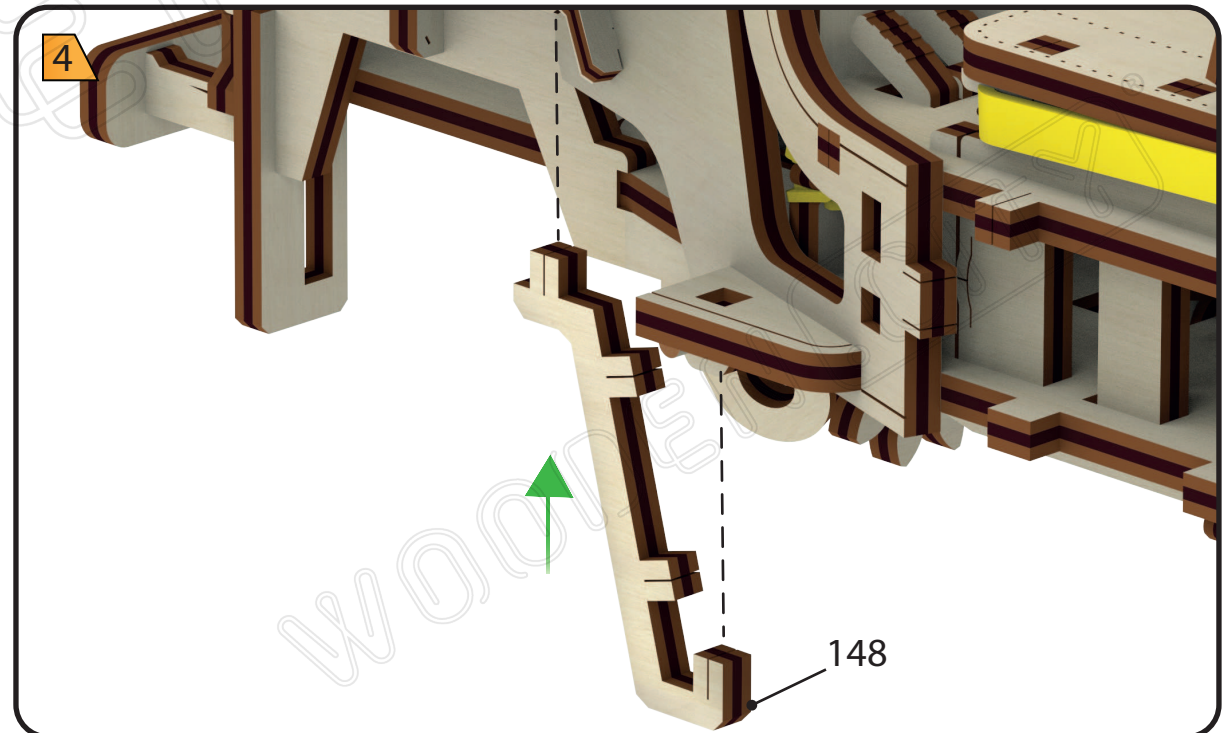
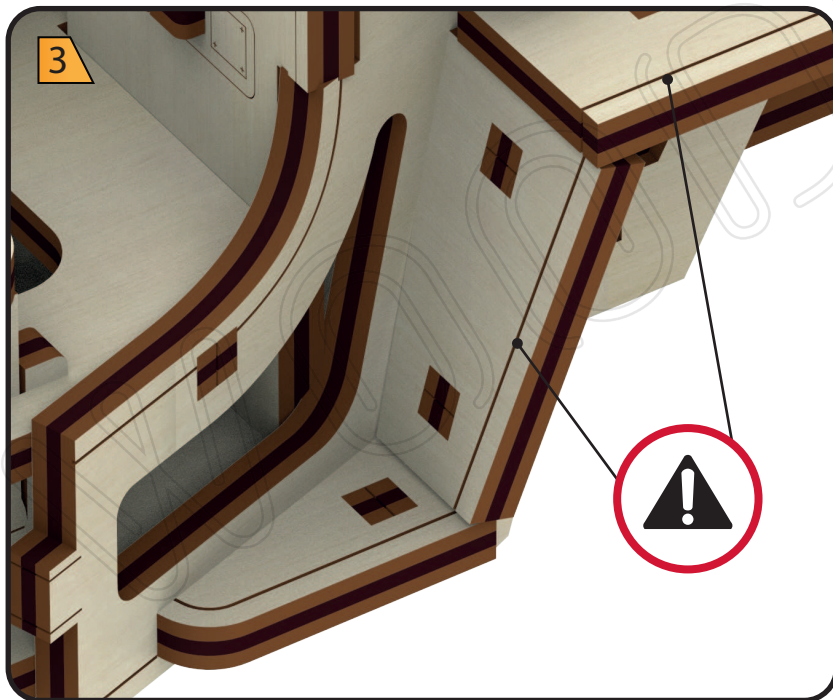
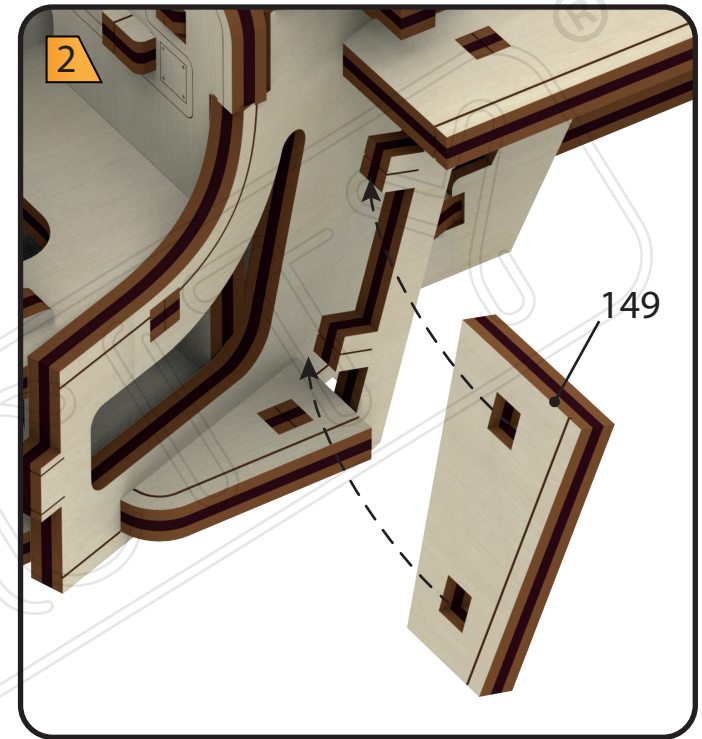
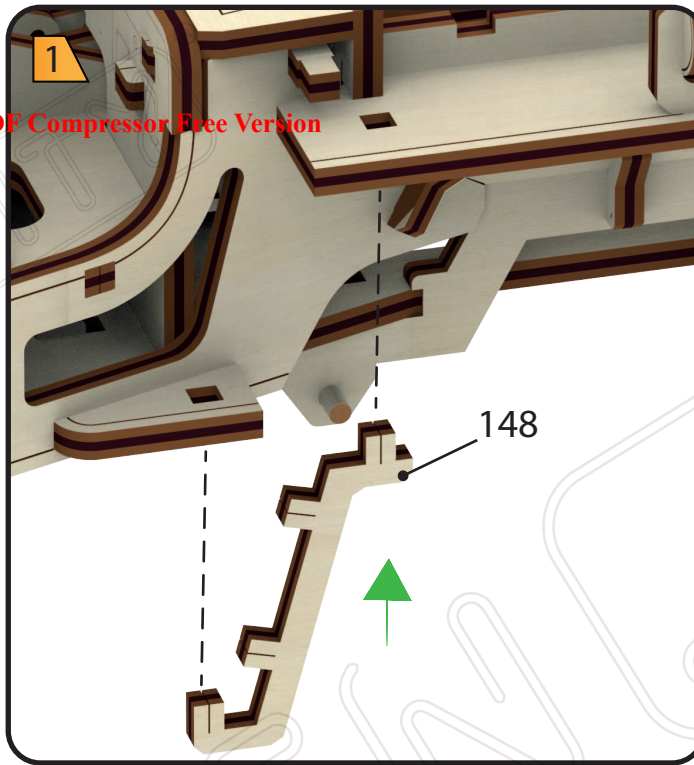


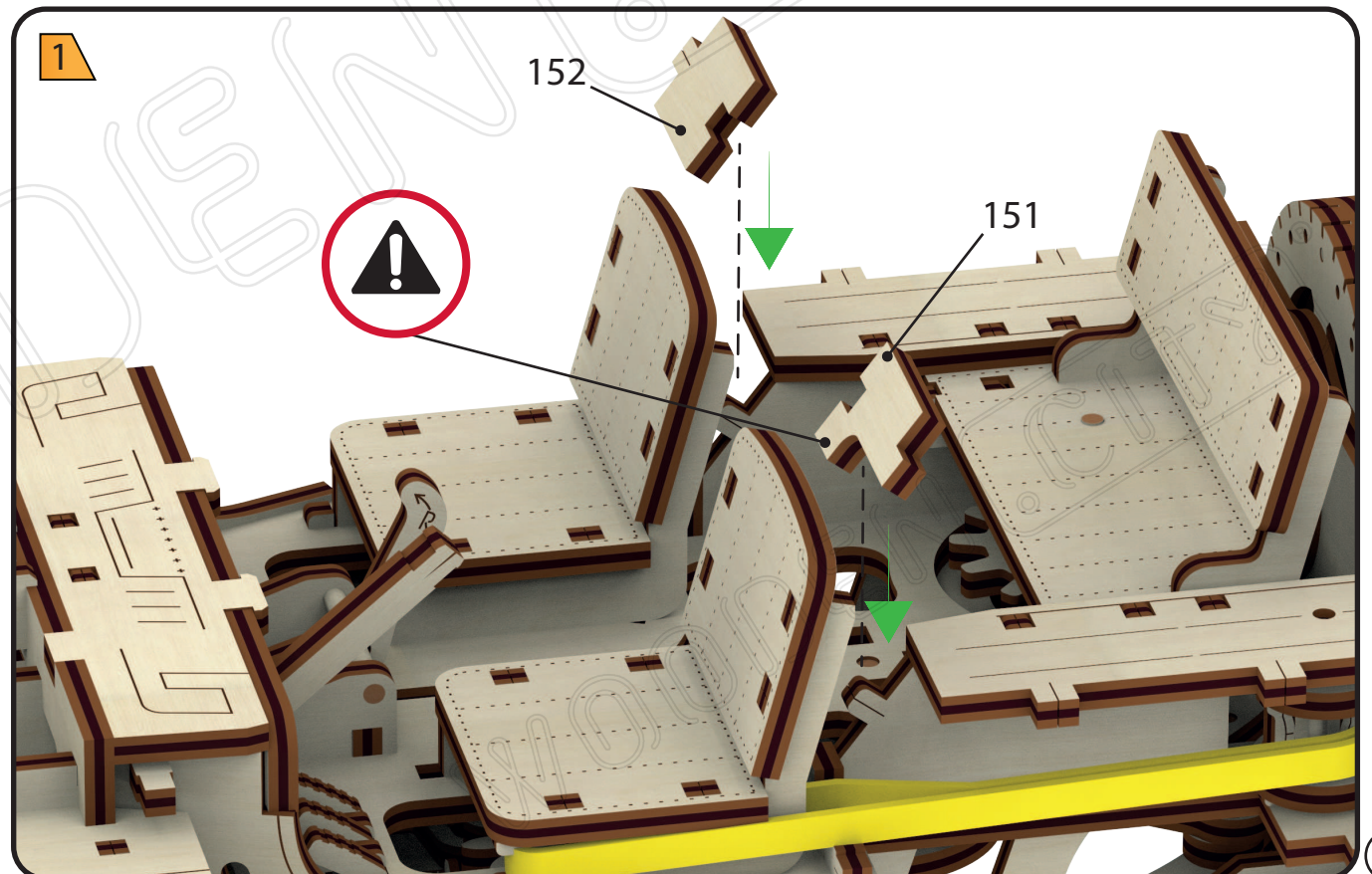
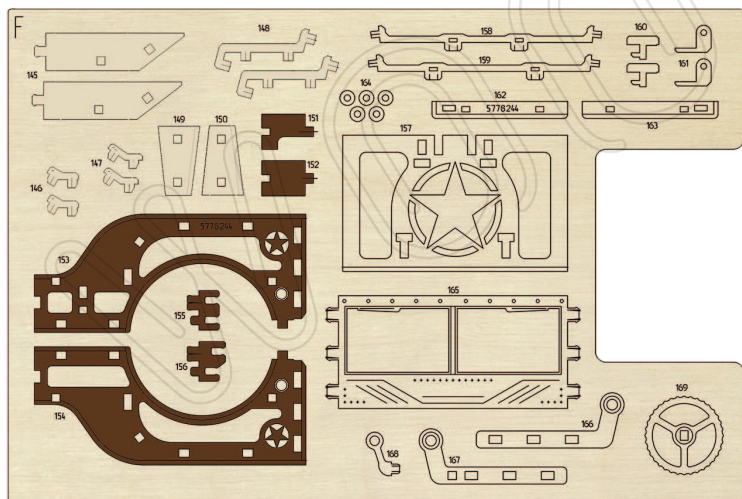
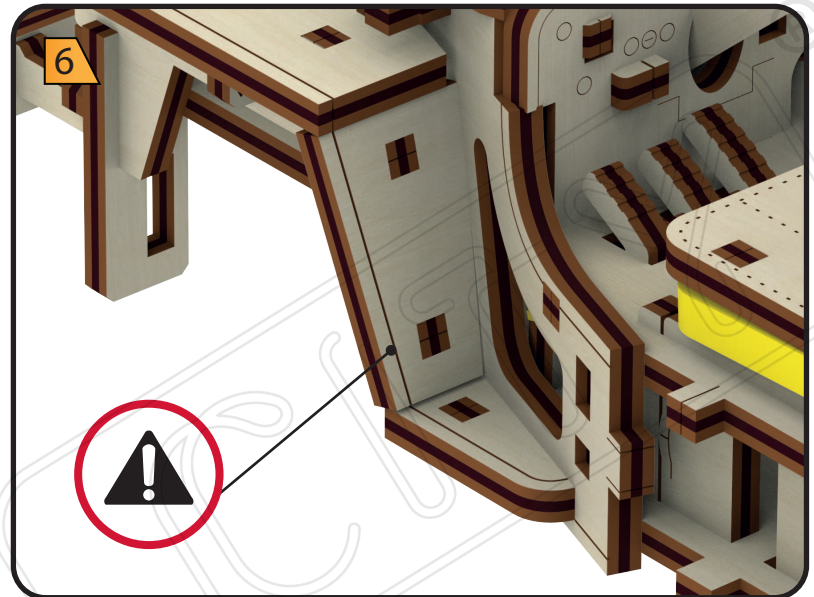
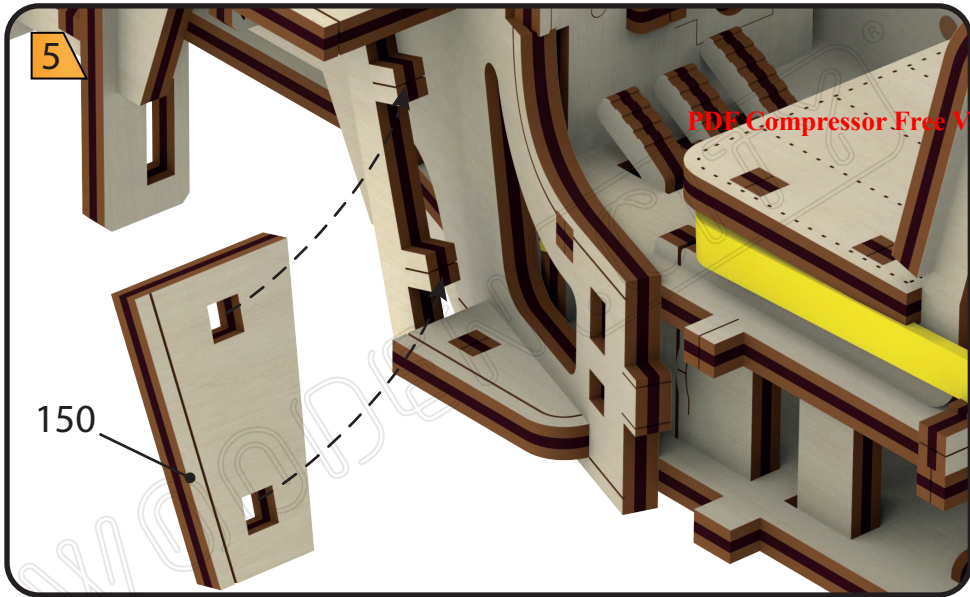


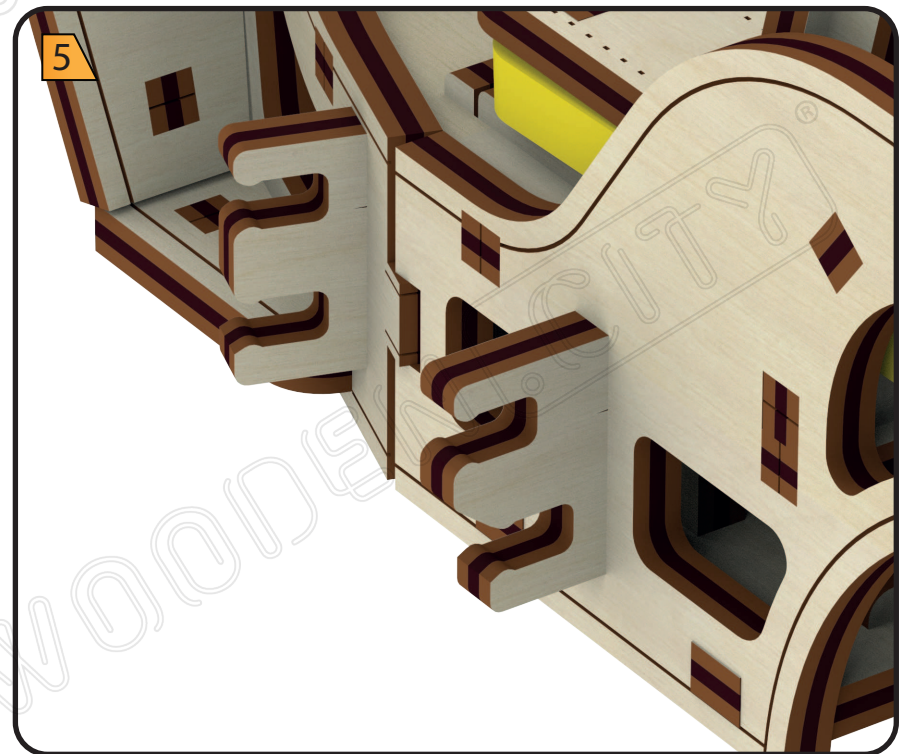
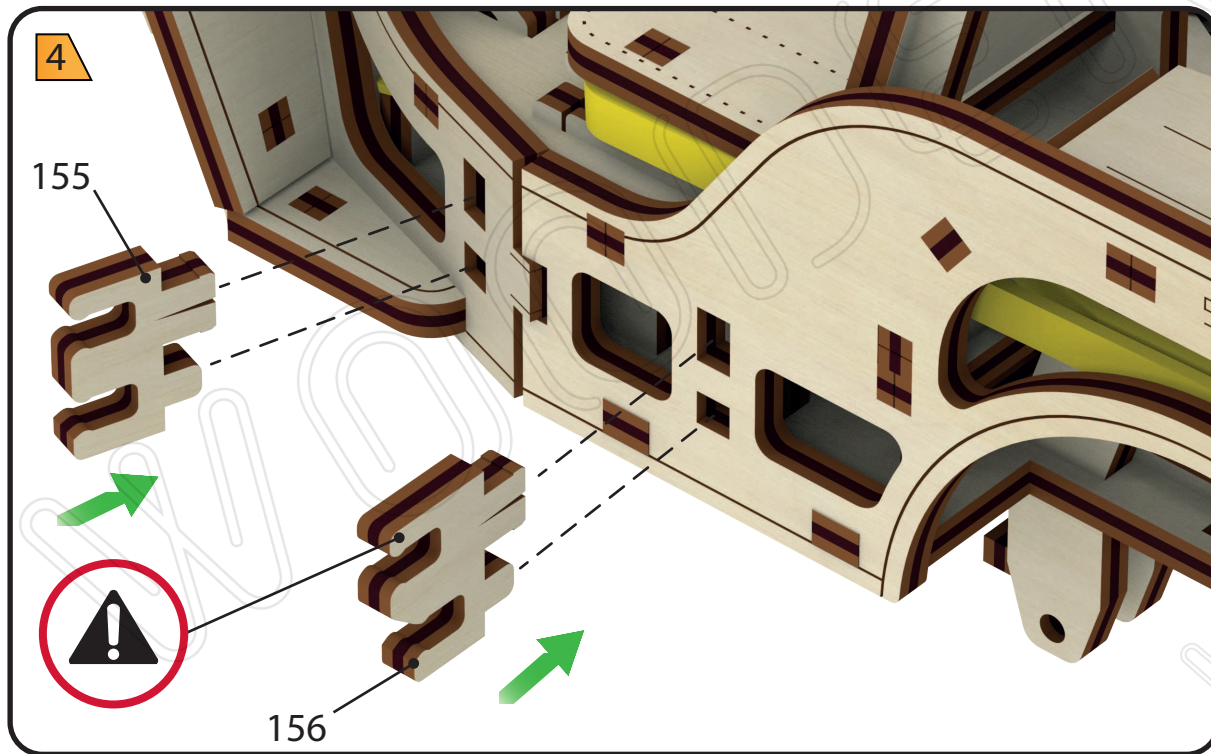
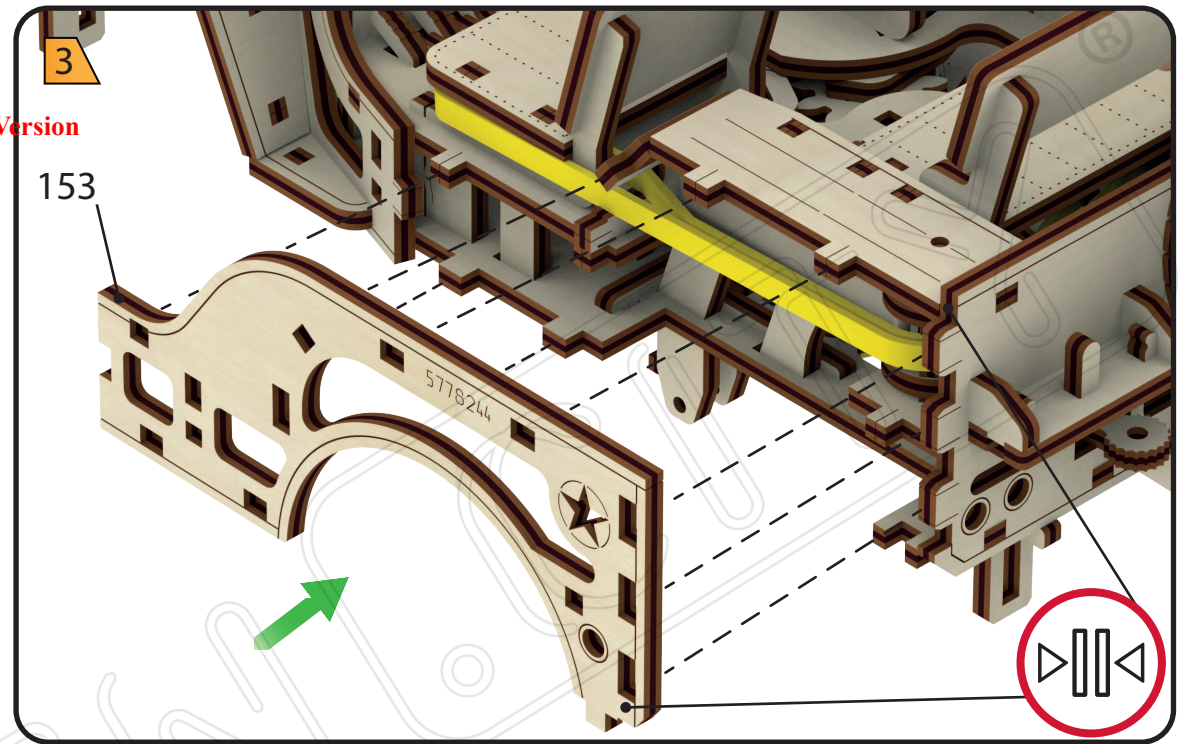
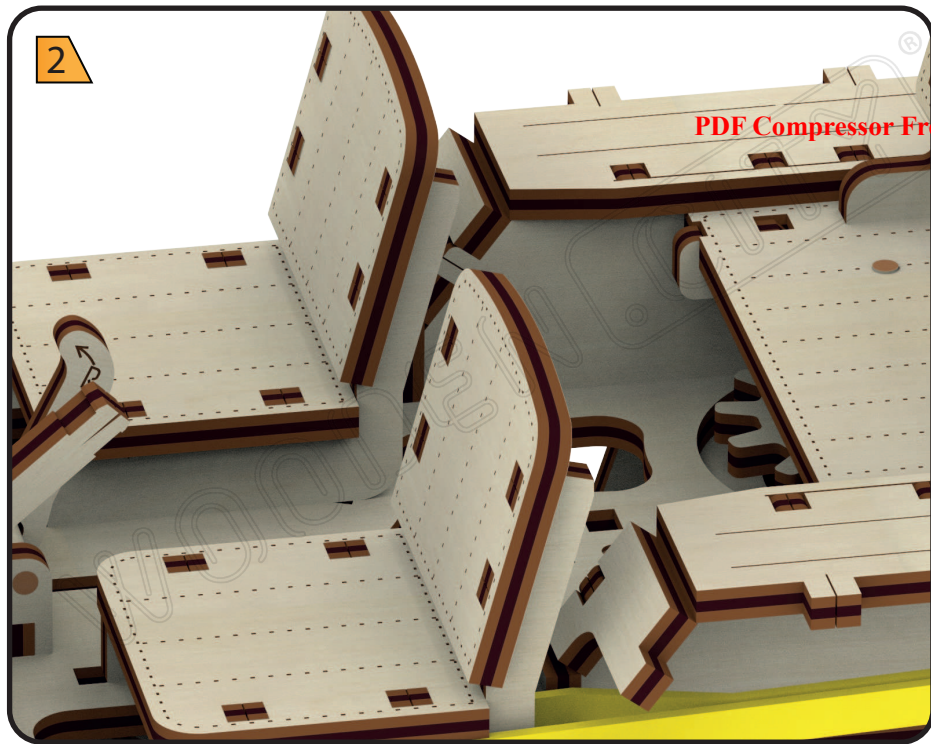


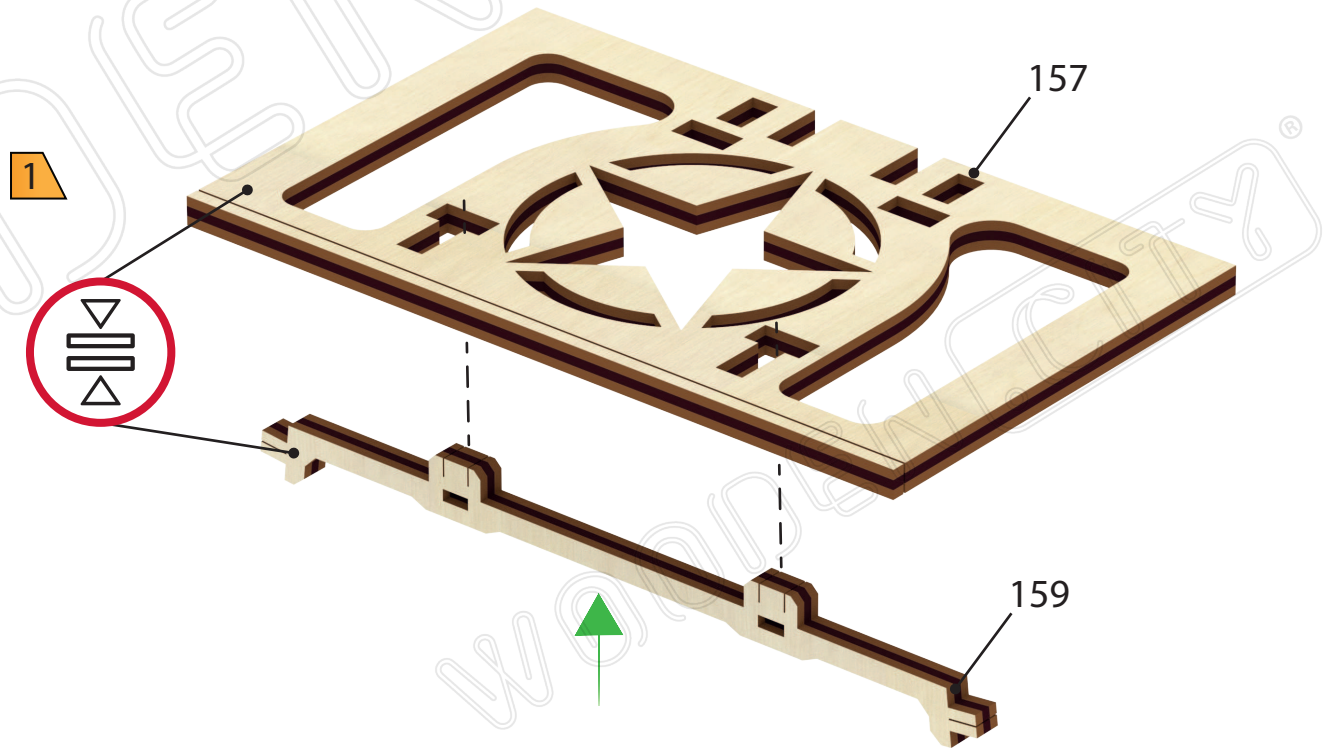
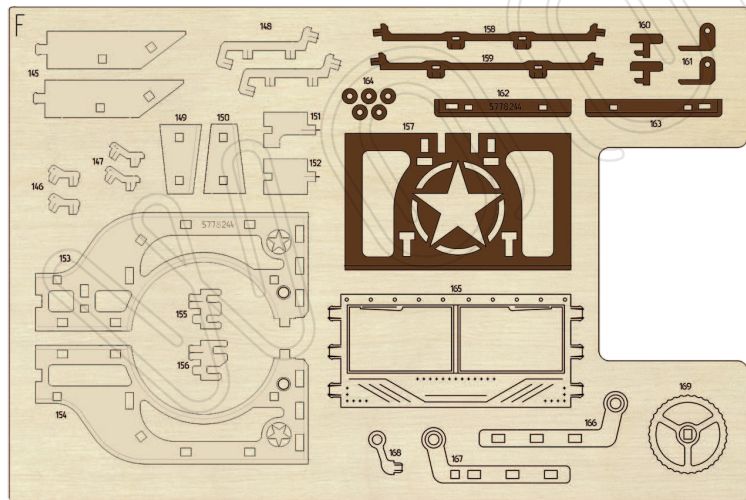
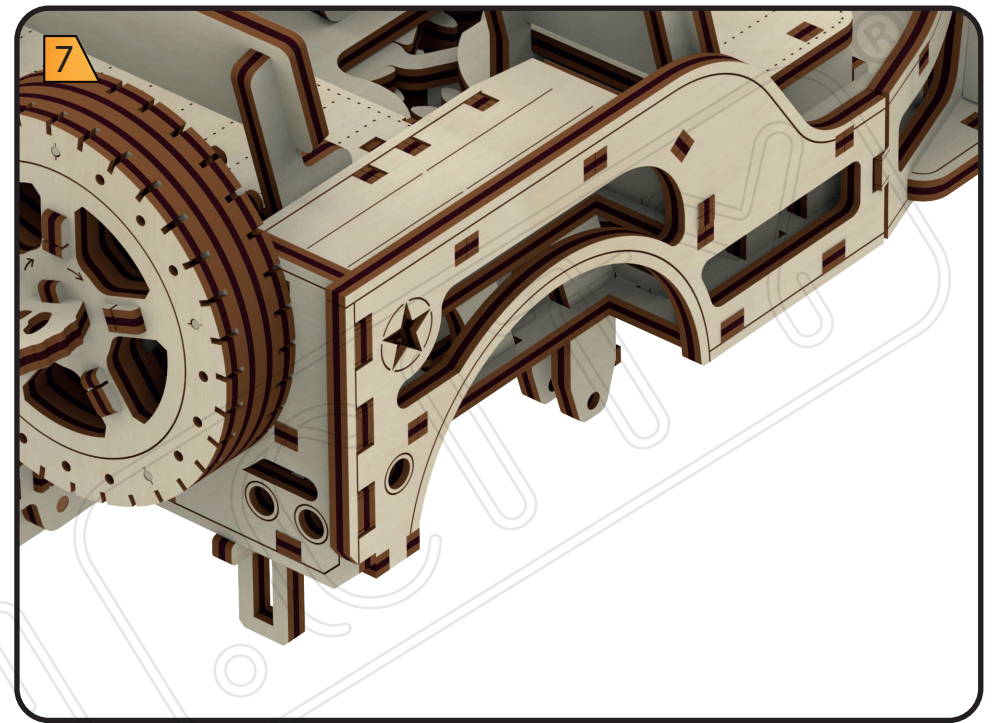
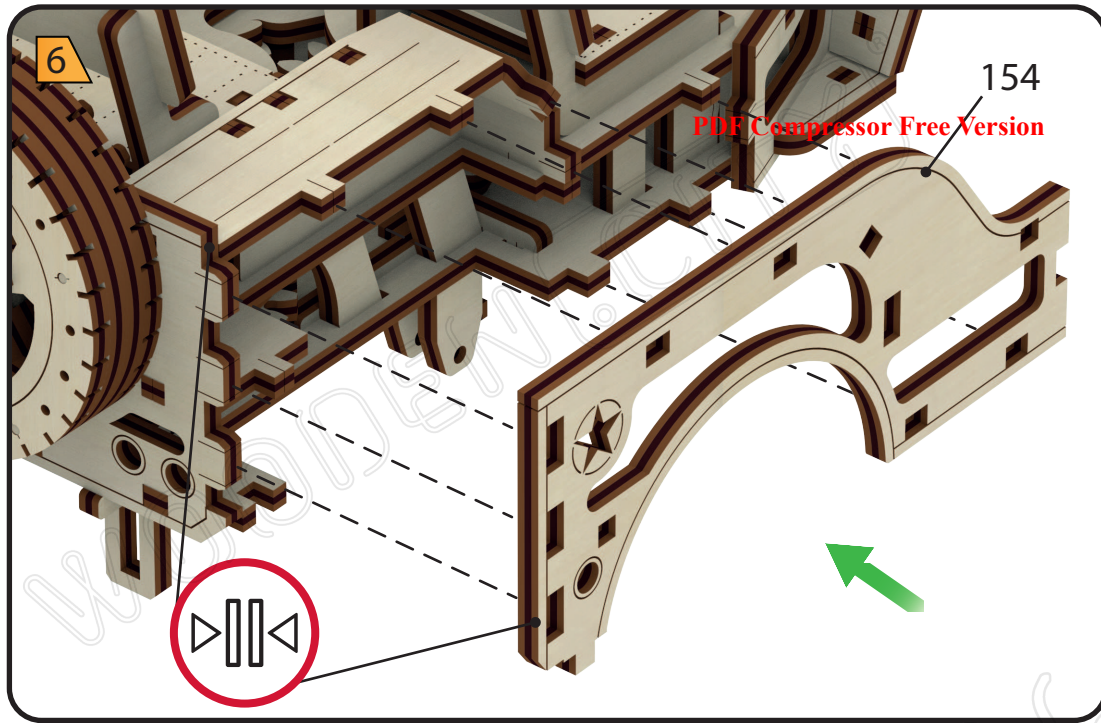


PDF Compressor Free Version

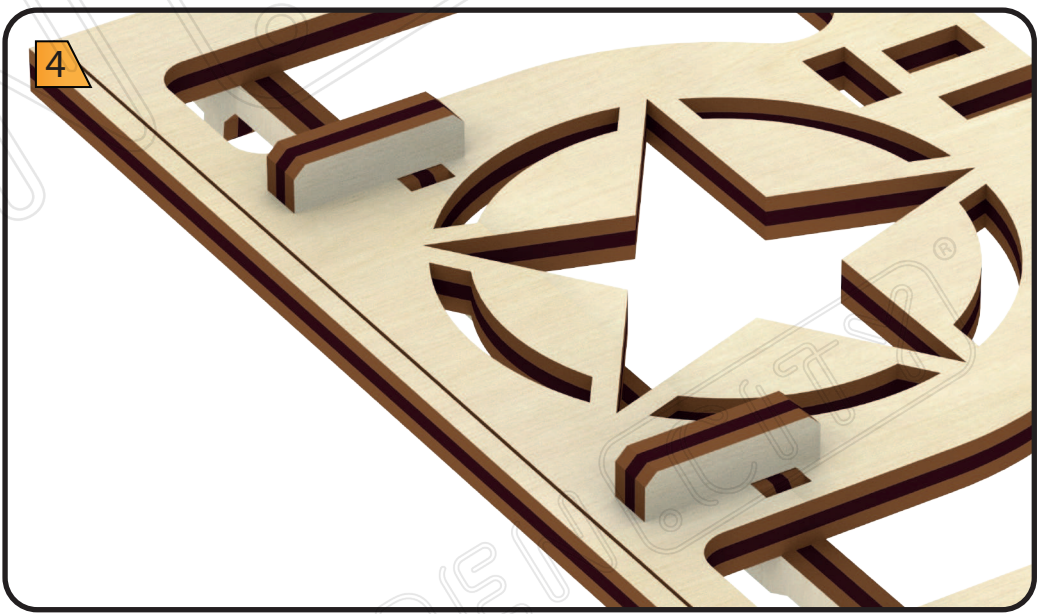
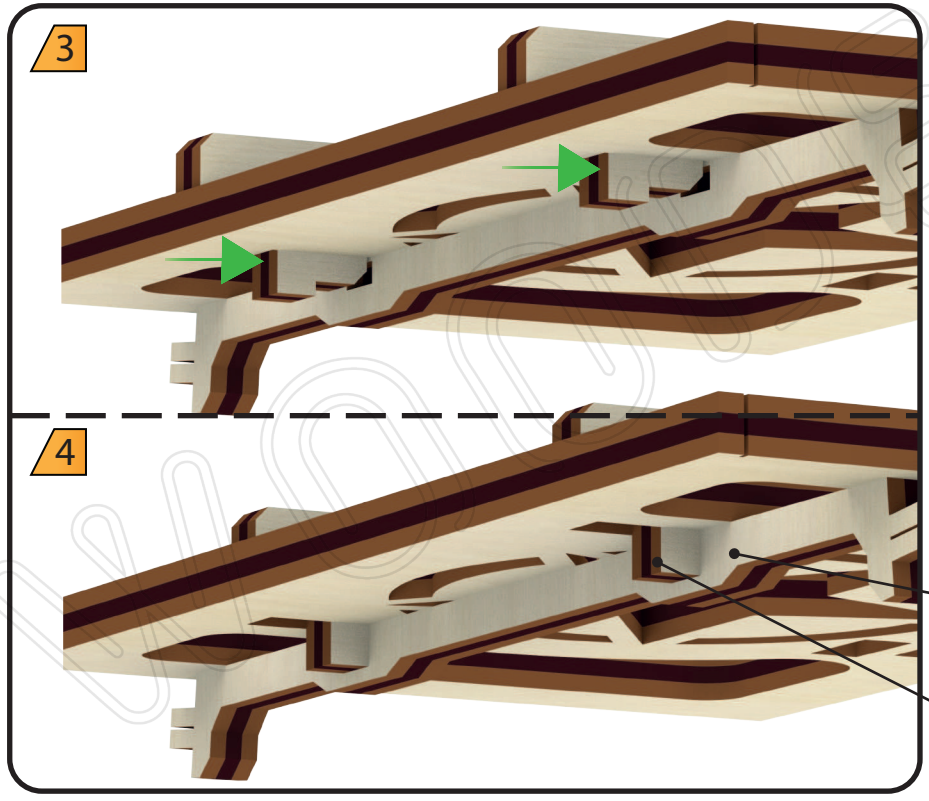
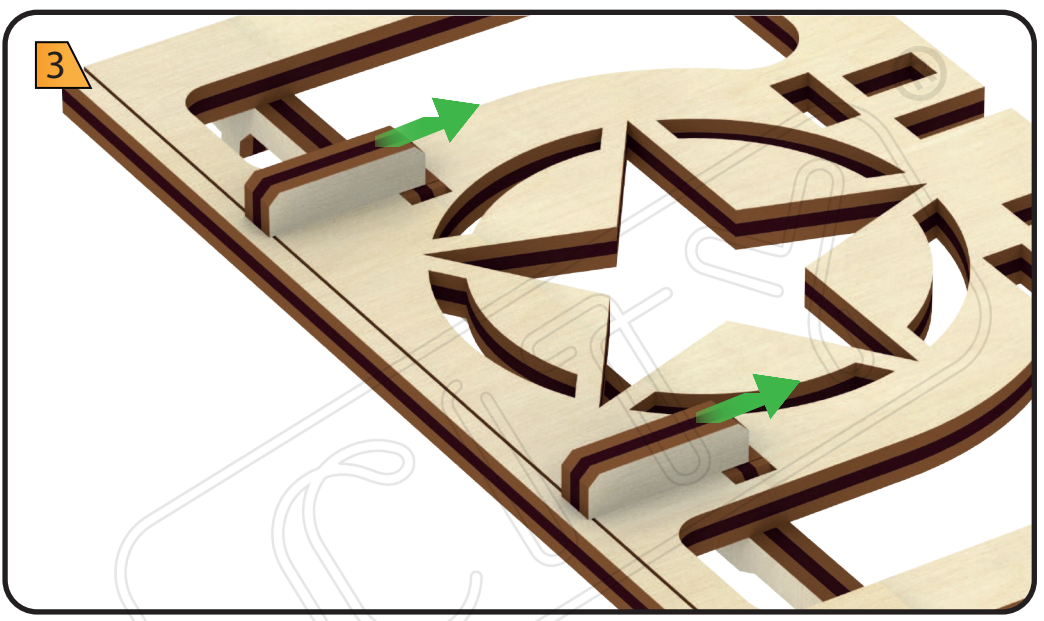
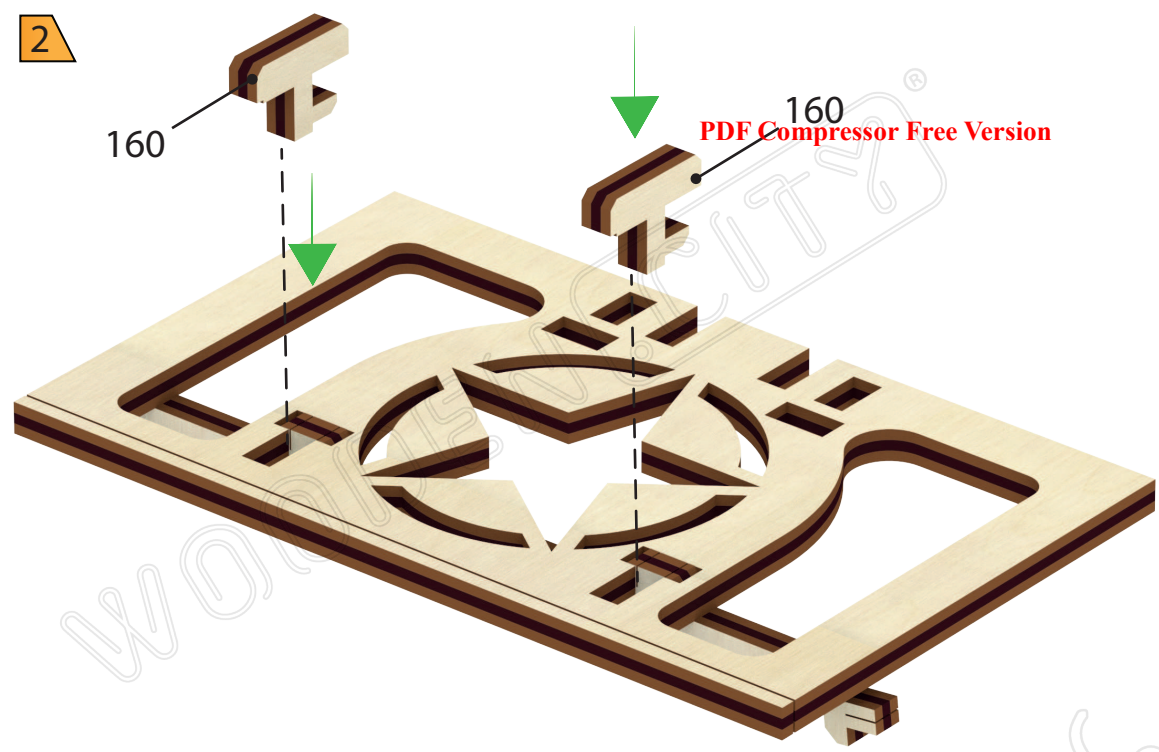


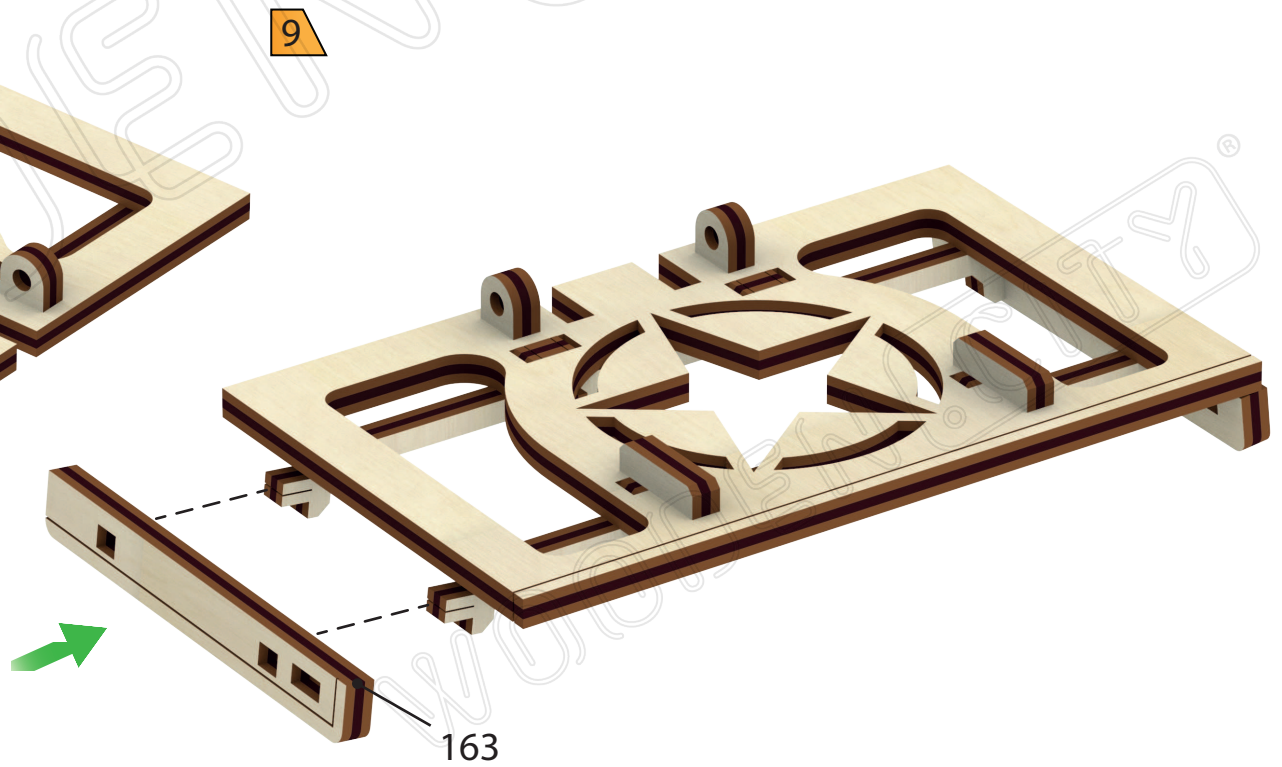
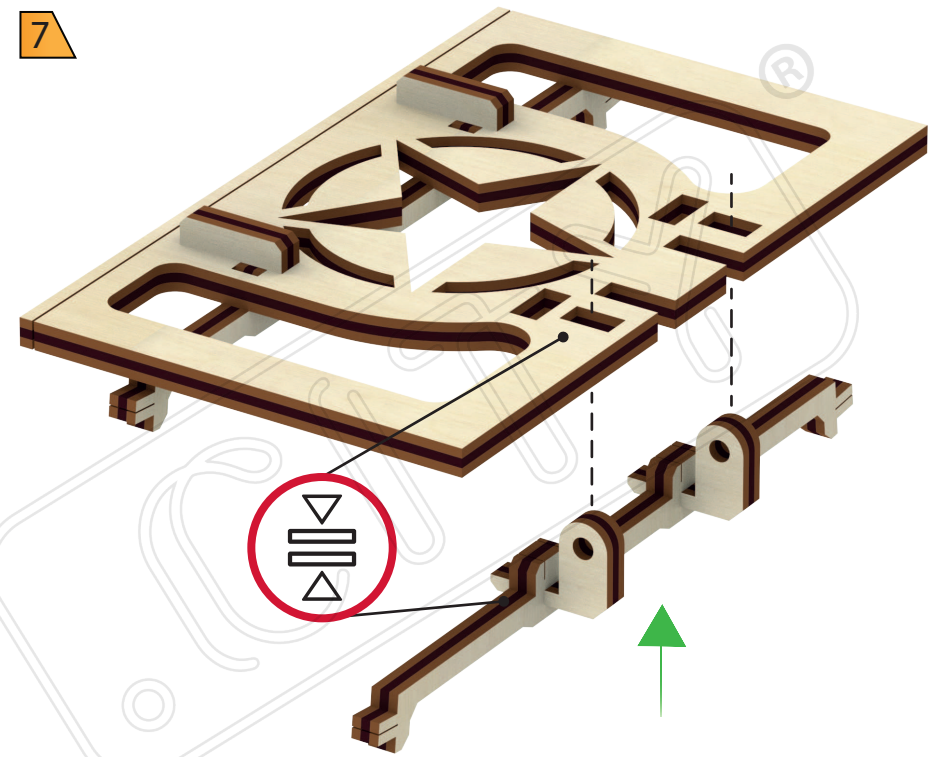
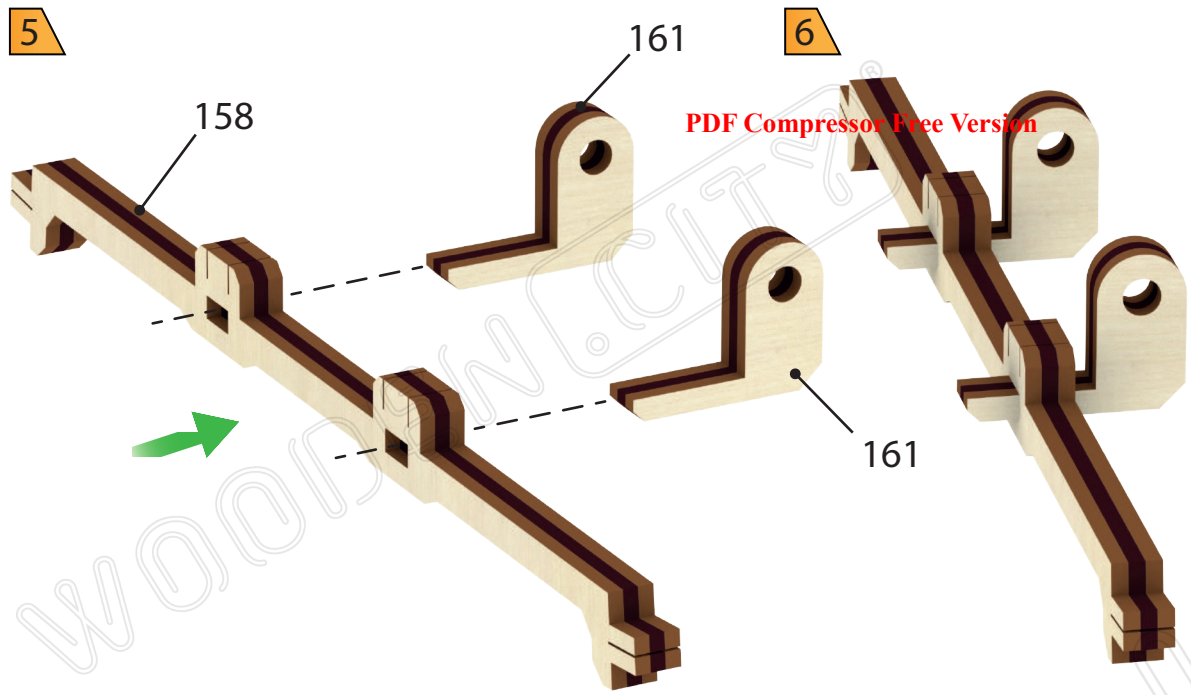


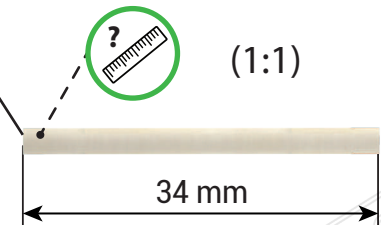
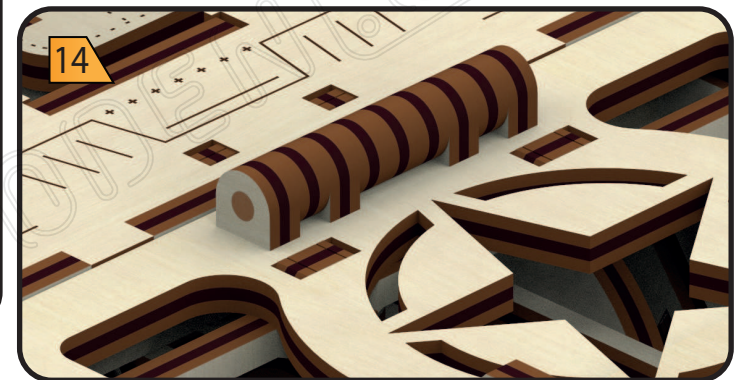
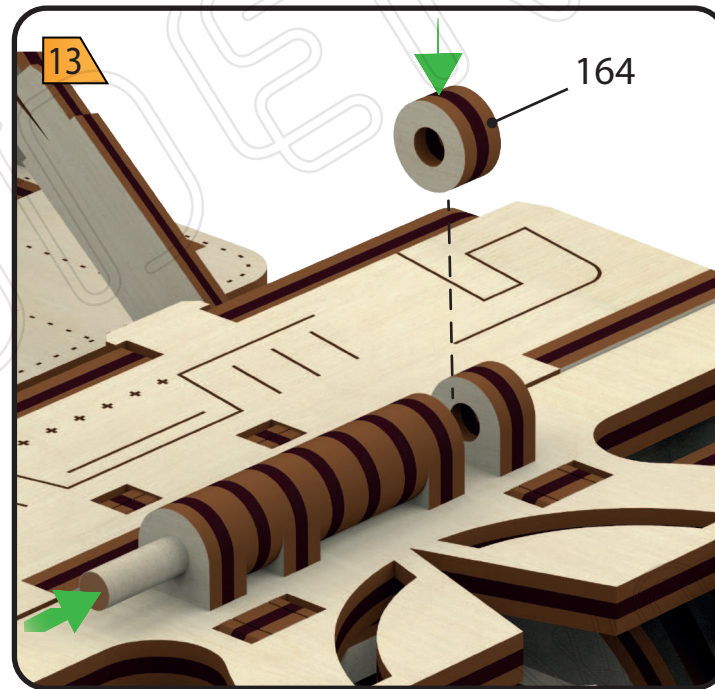
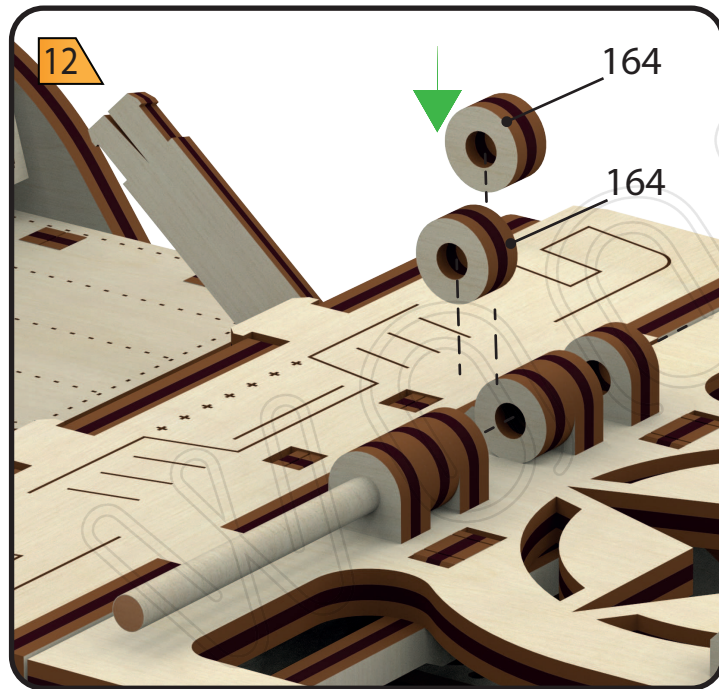
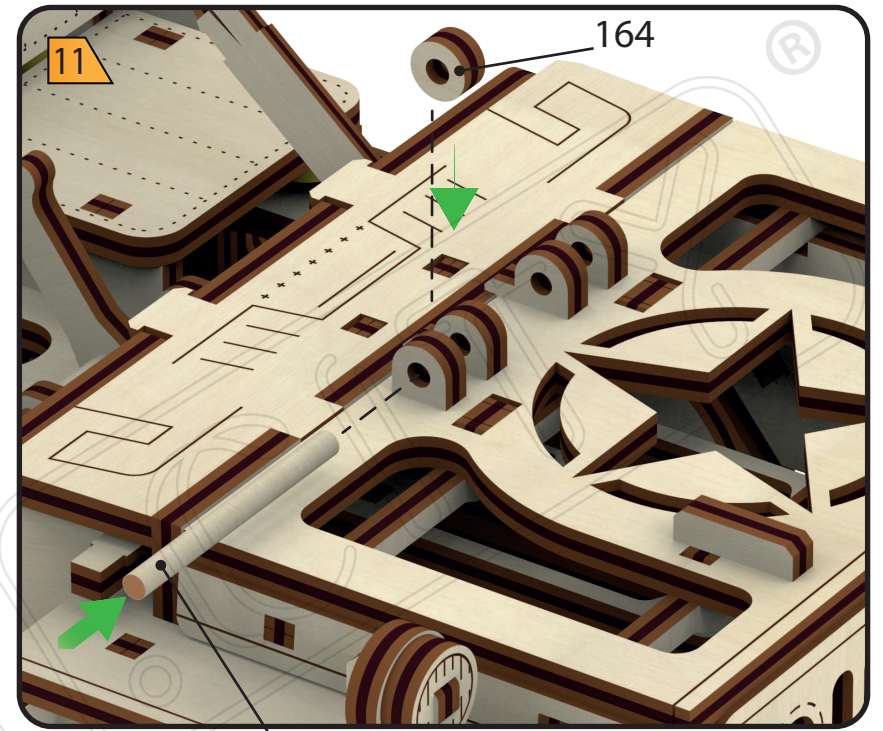
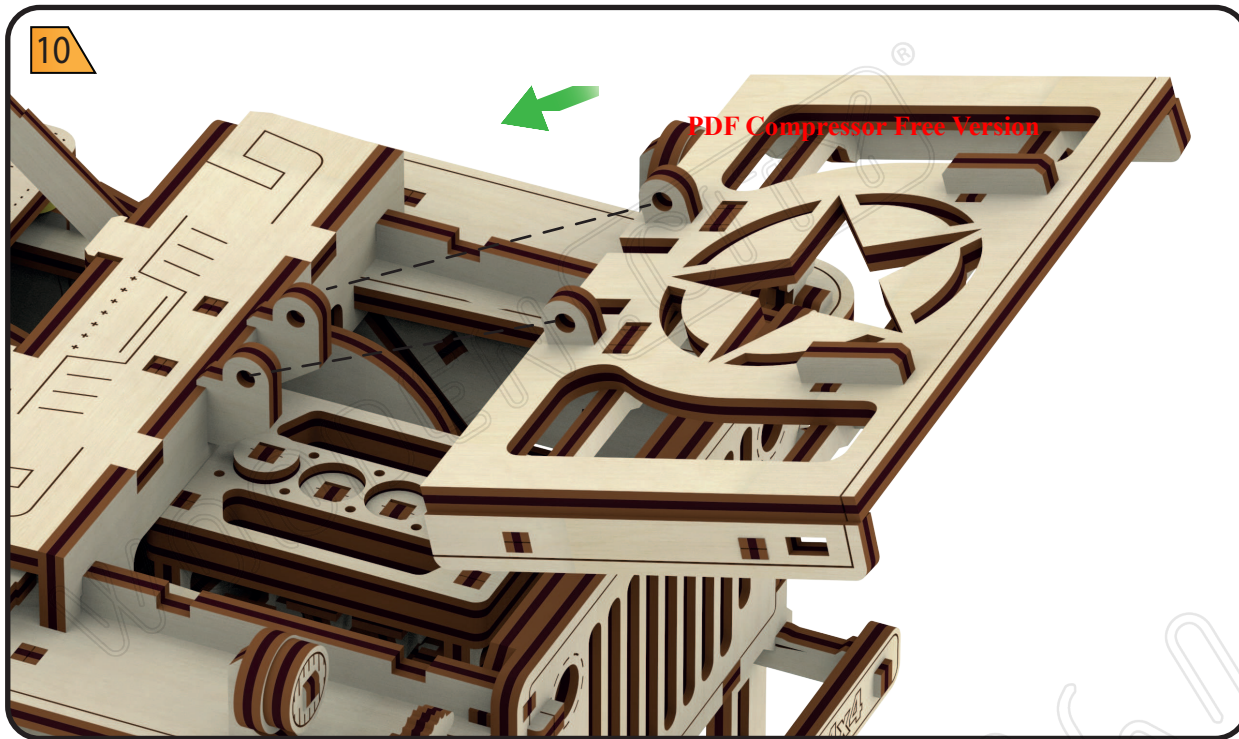


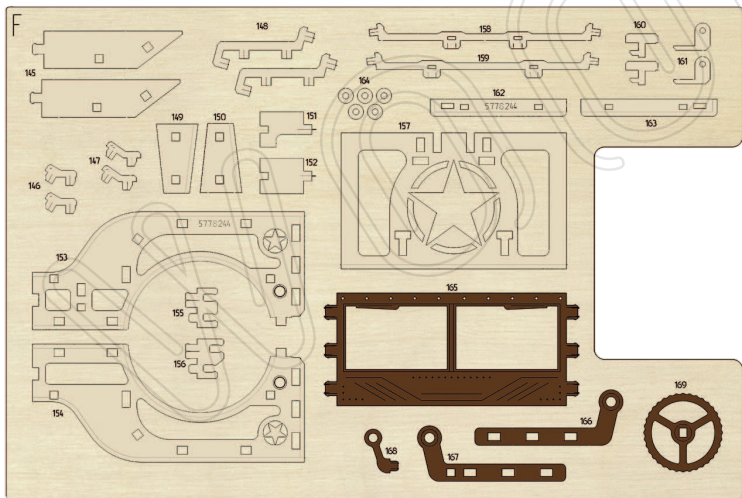
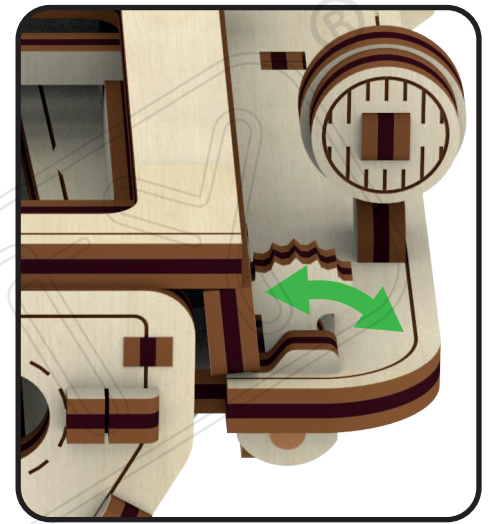
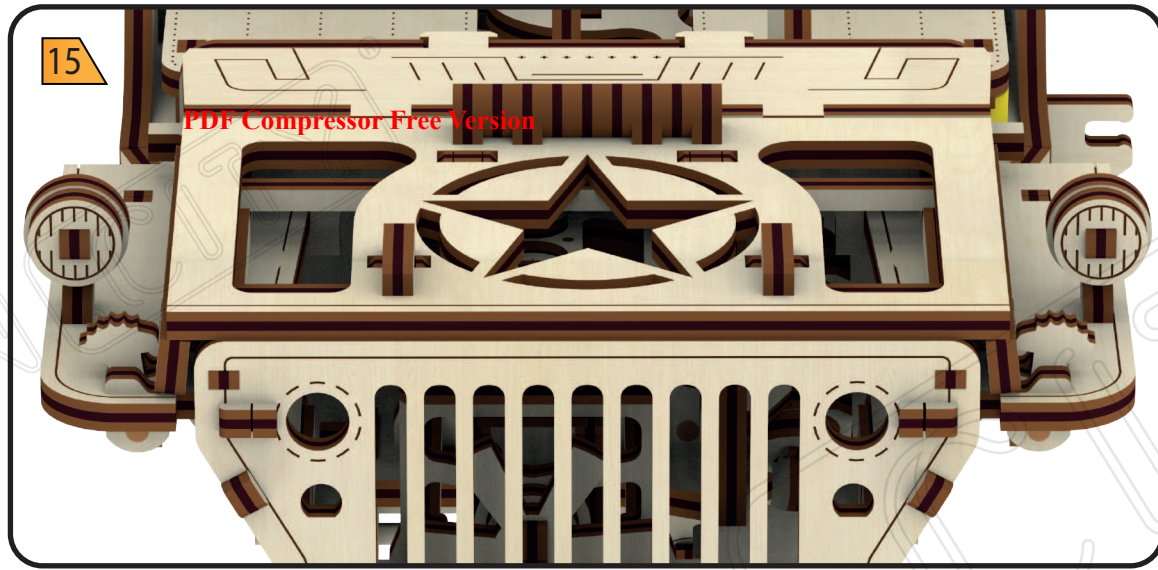
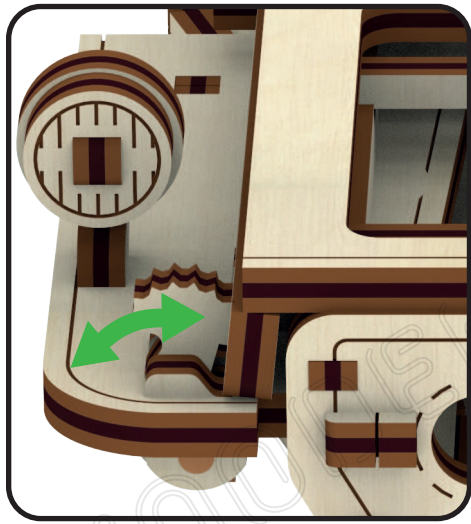


2

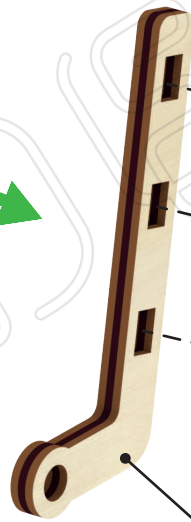




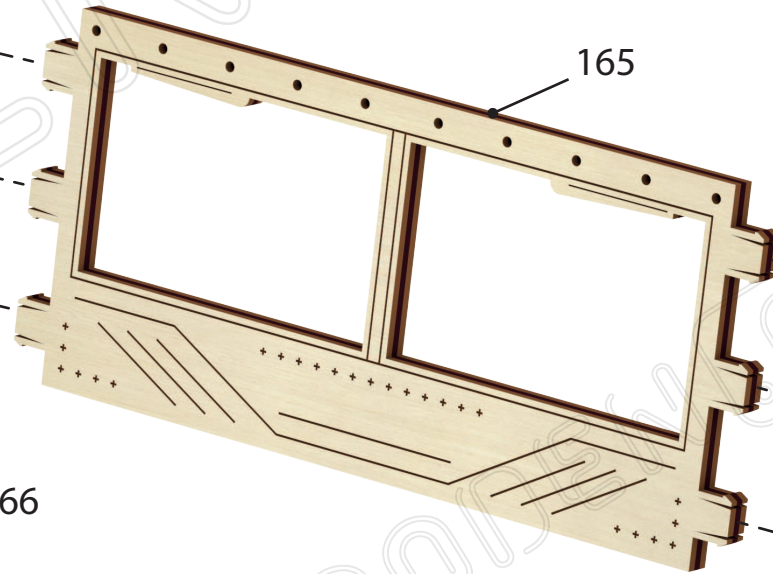




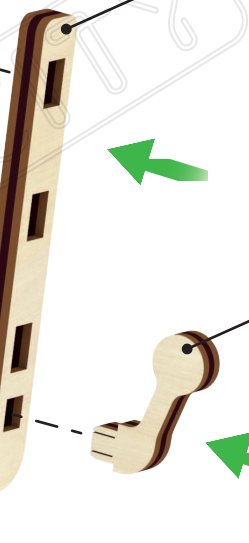
1



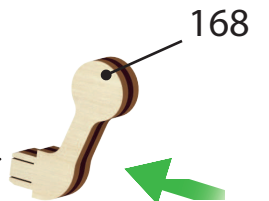
166



165



167

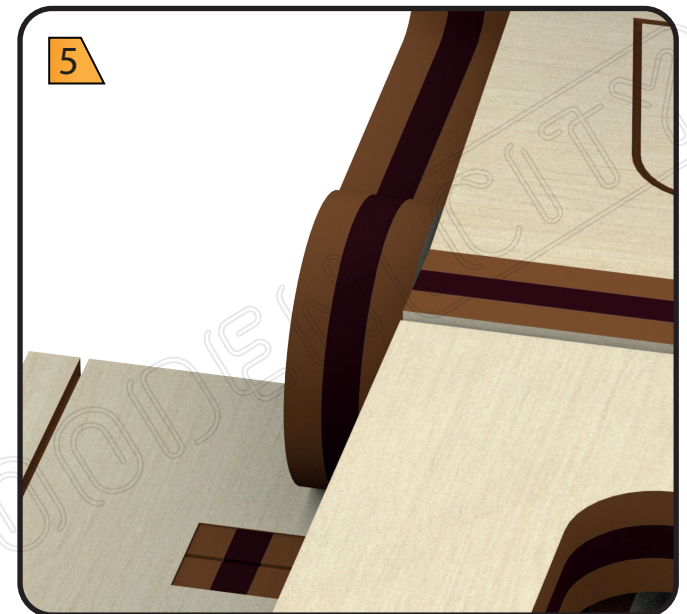
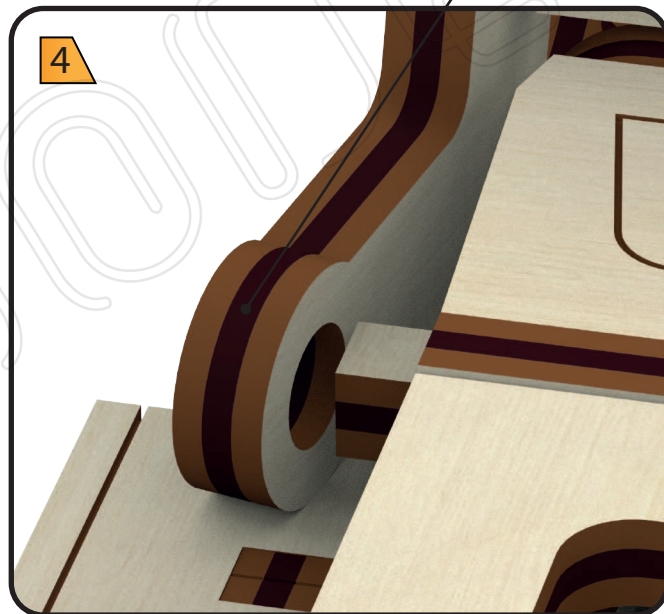
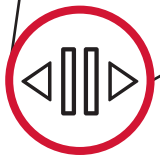
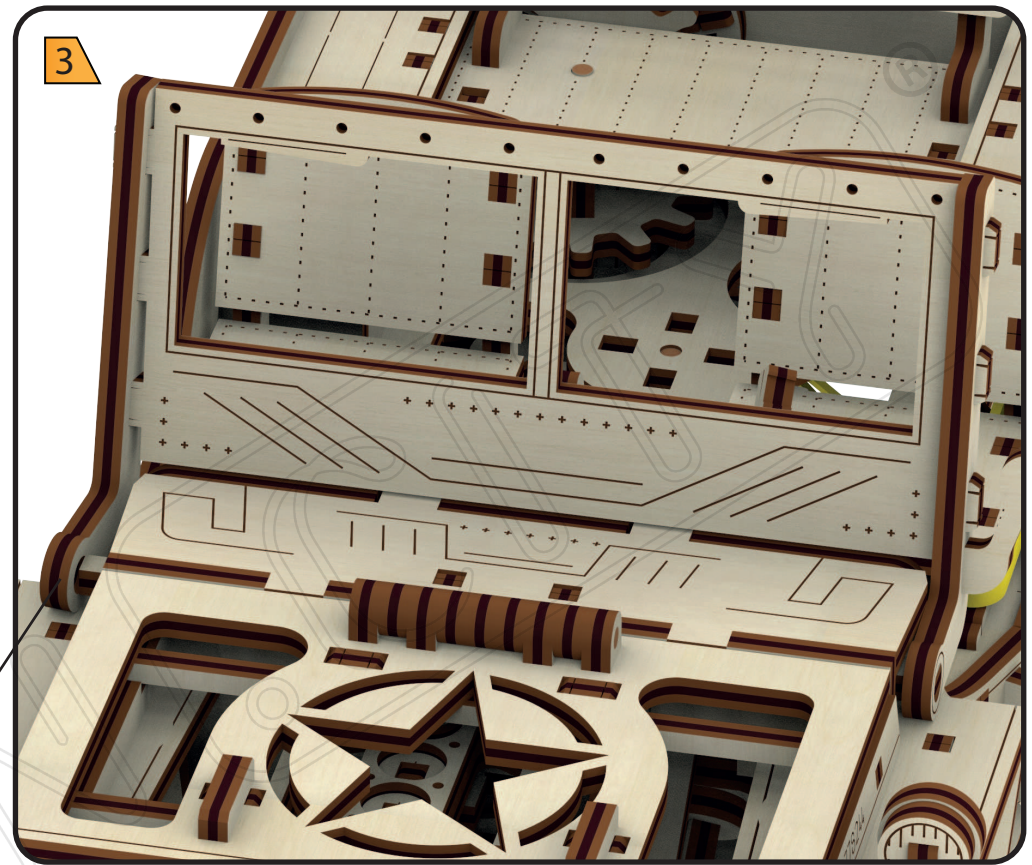
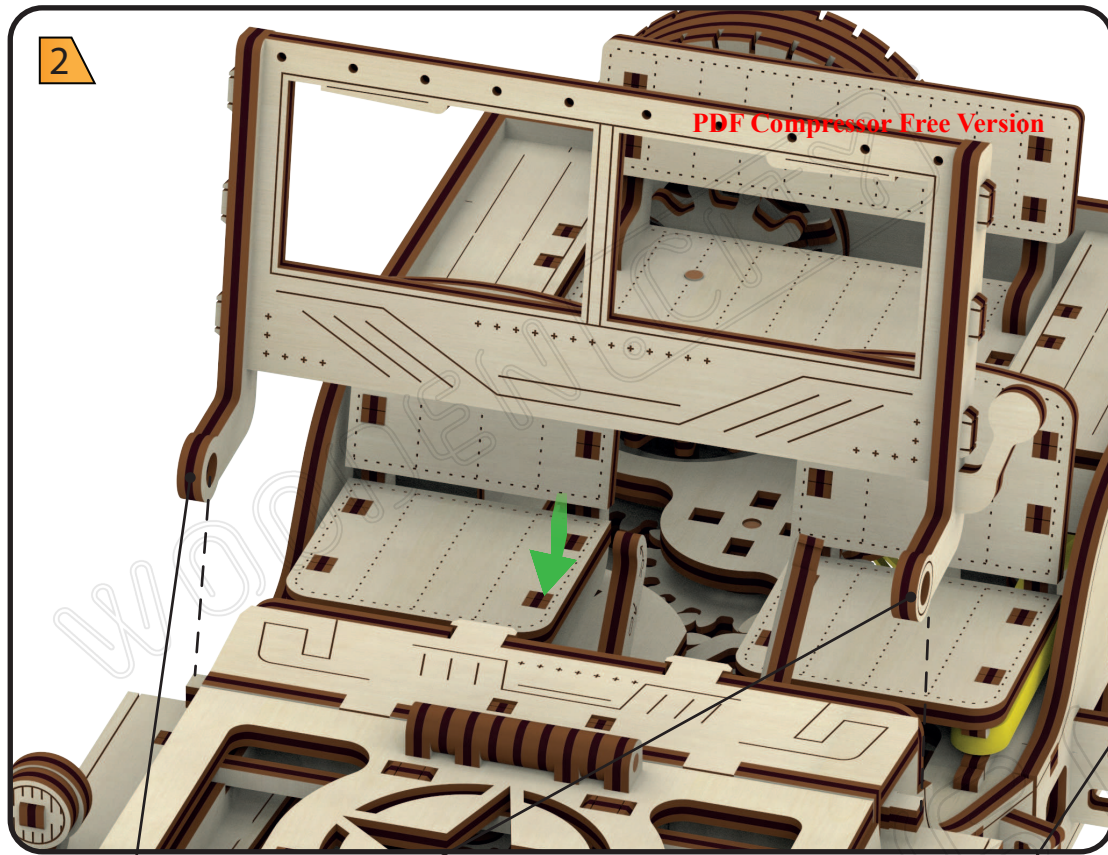


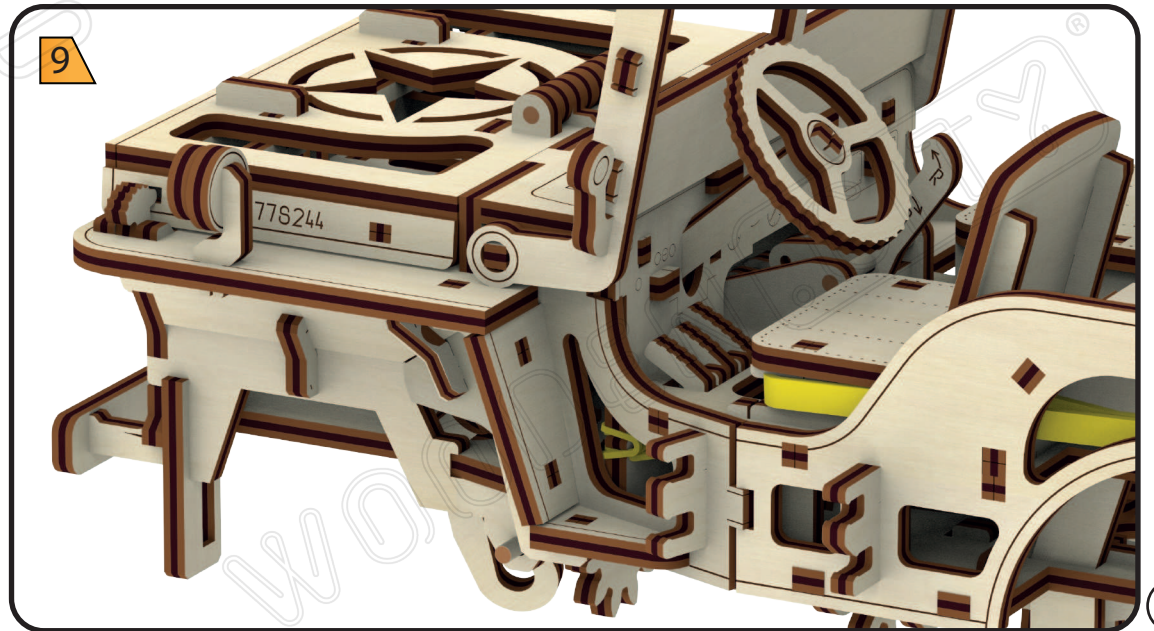
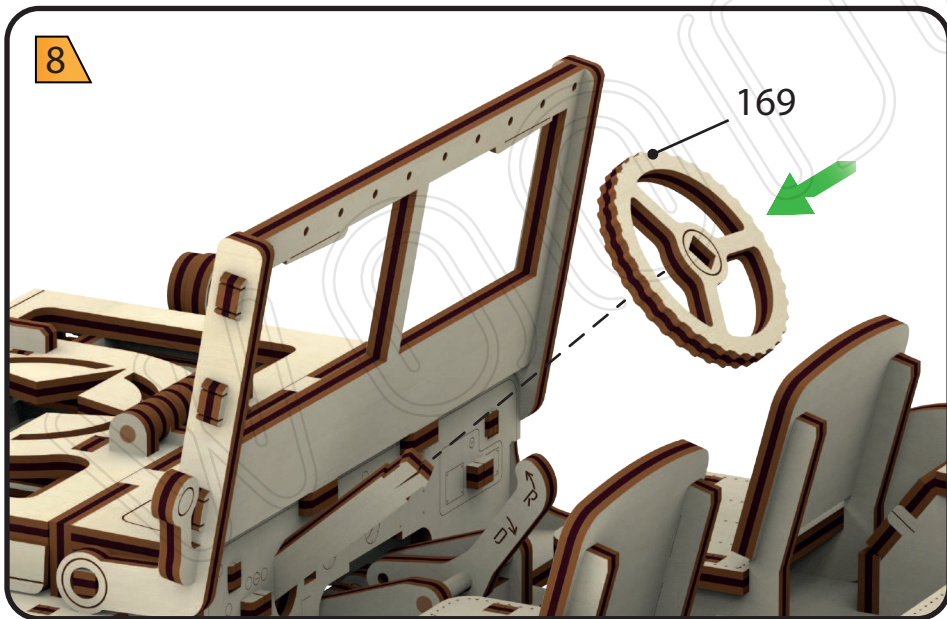
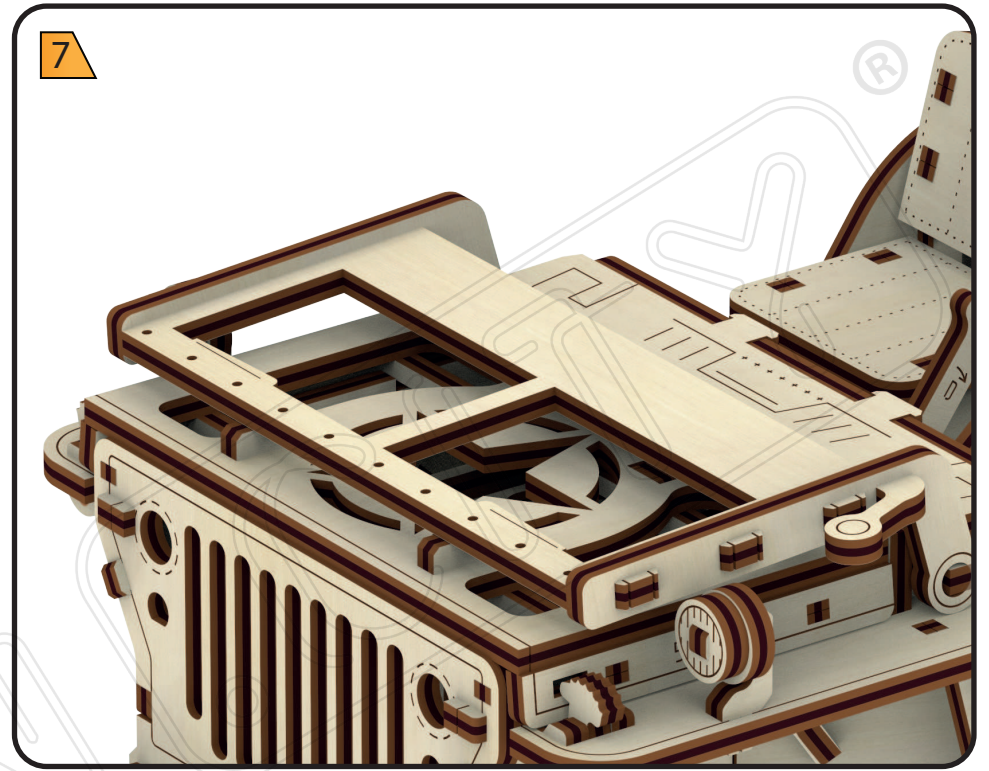
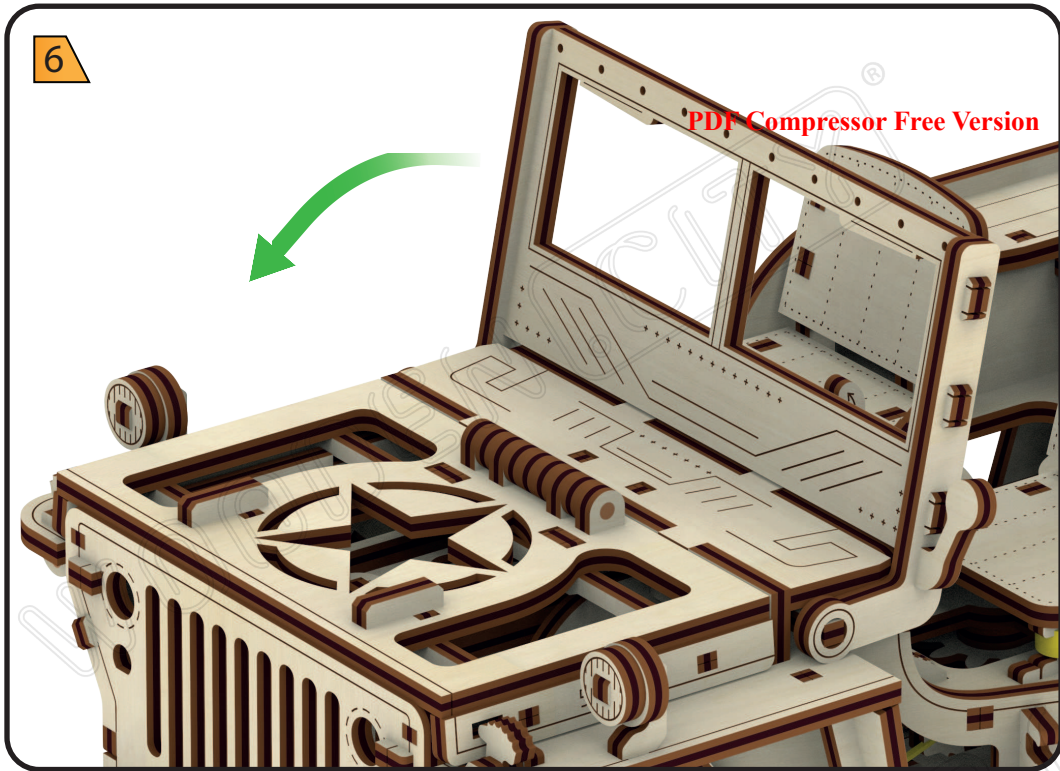
168



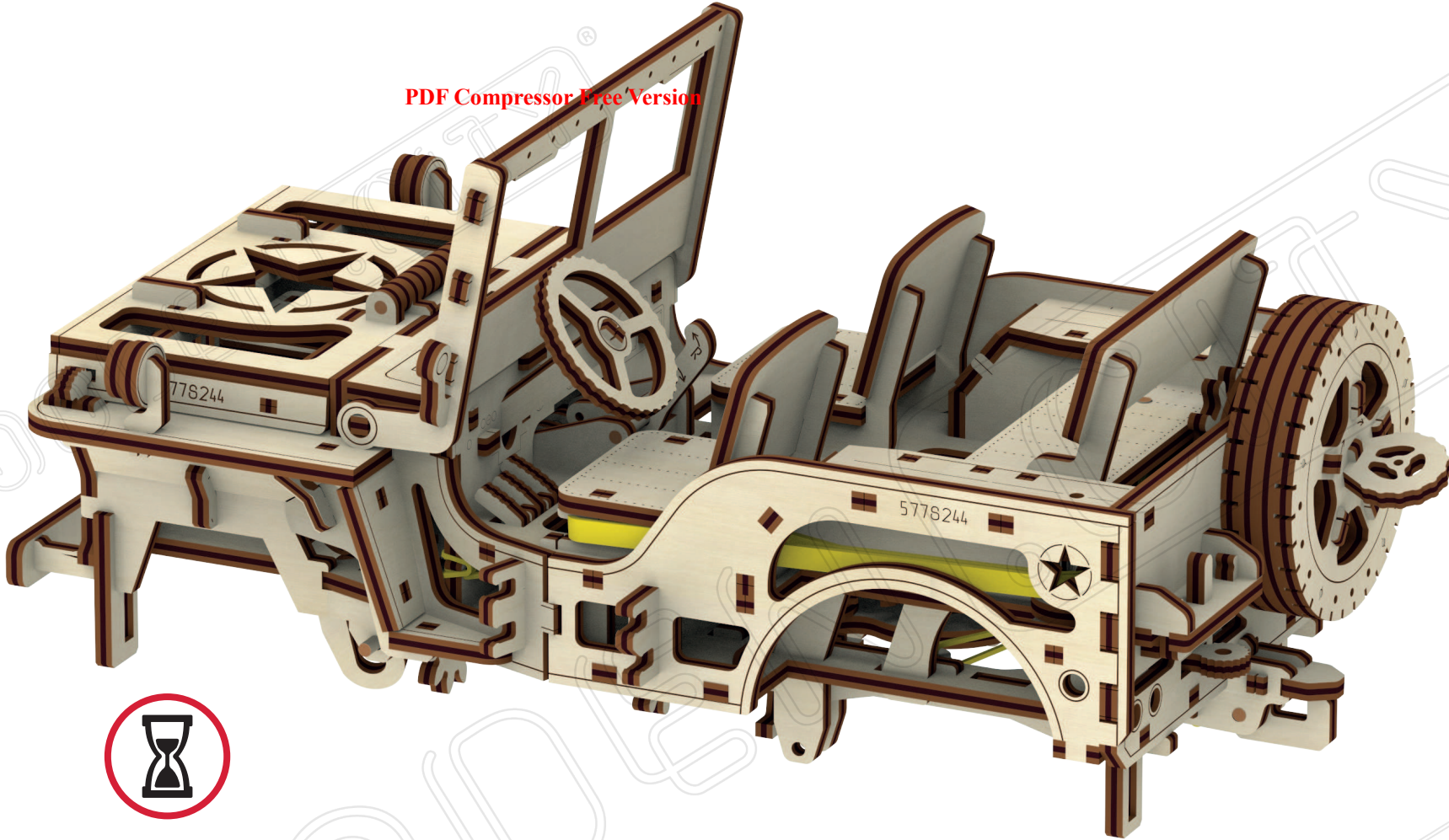
117



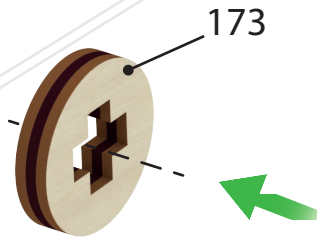
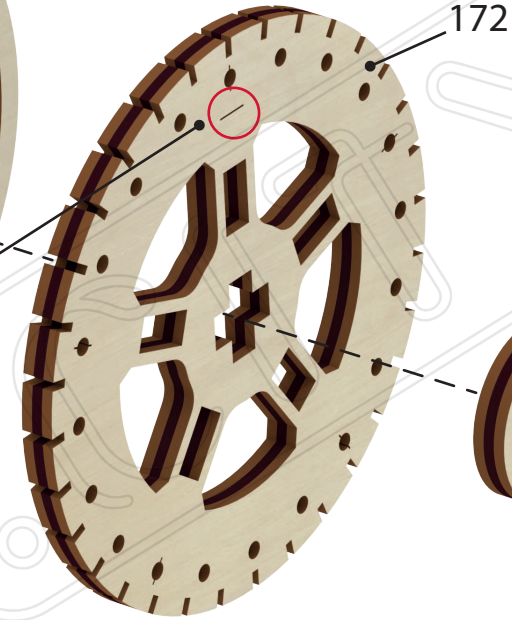
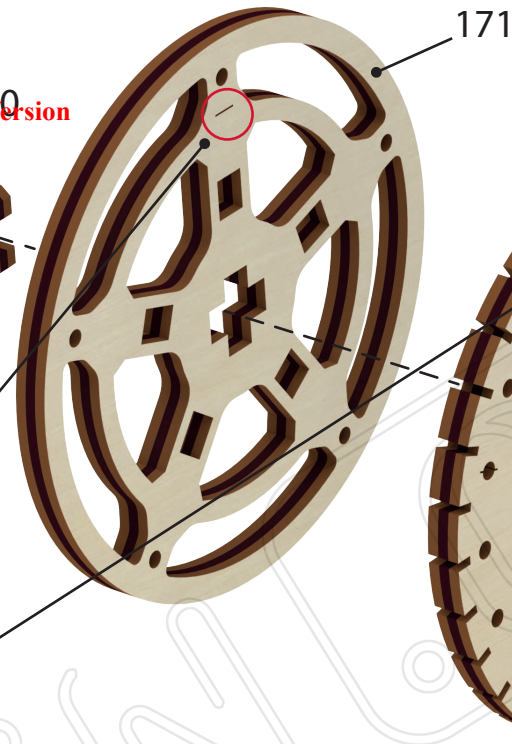
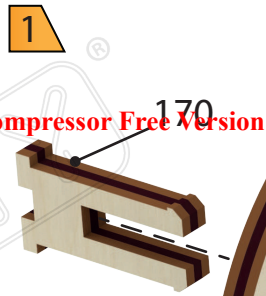
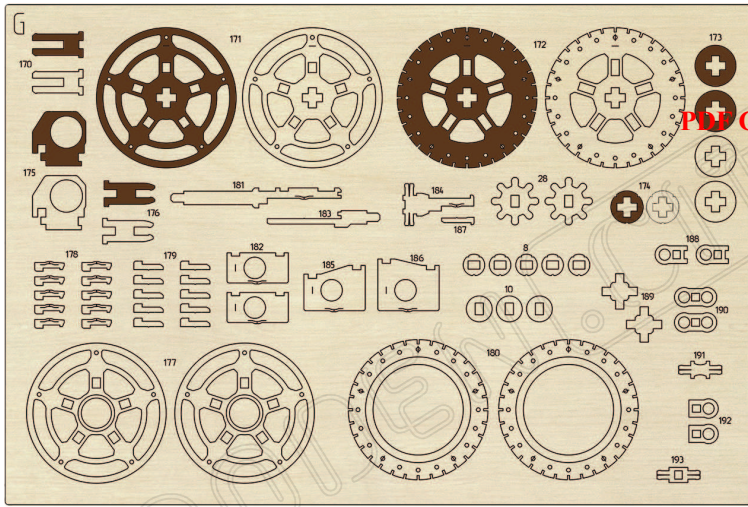




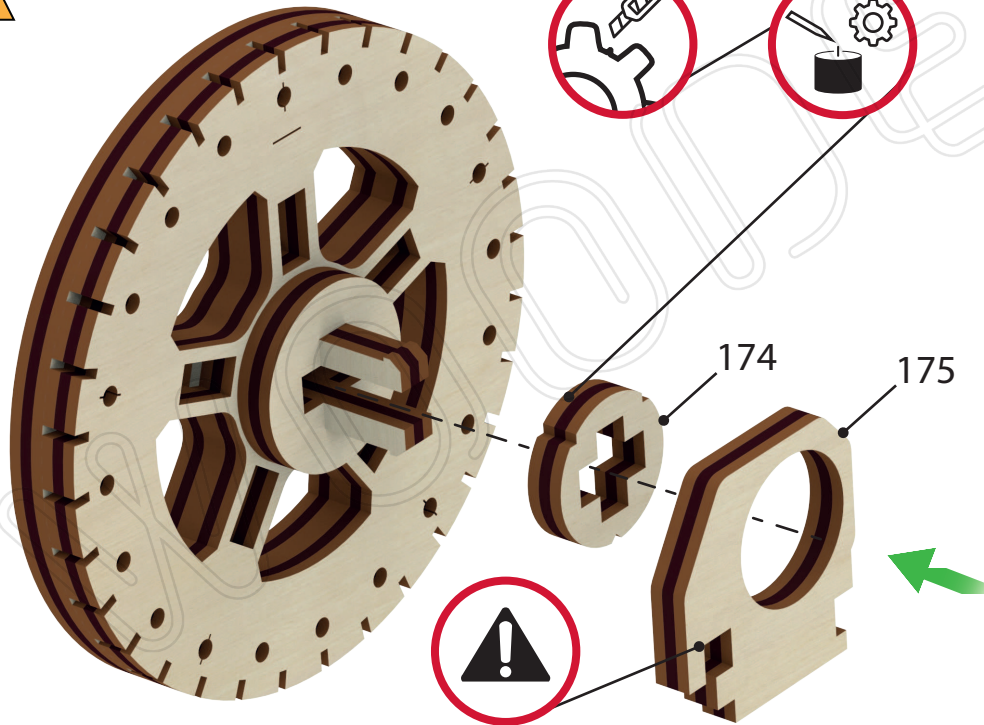
PDF Compressor Free Version



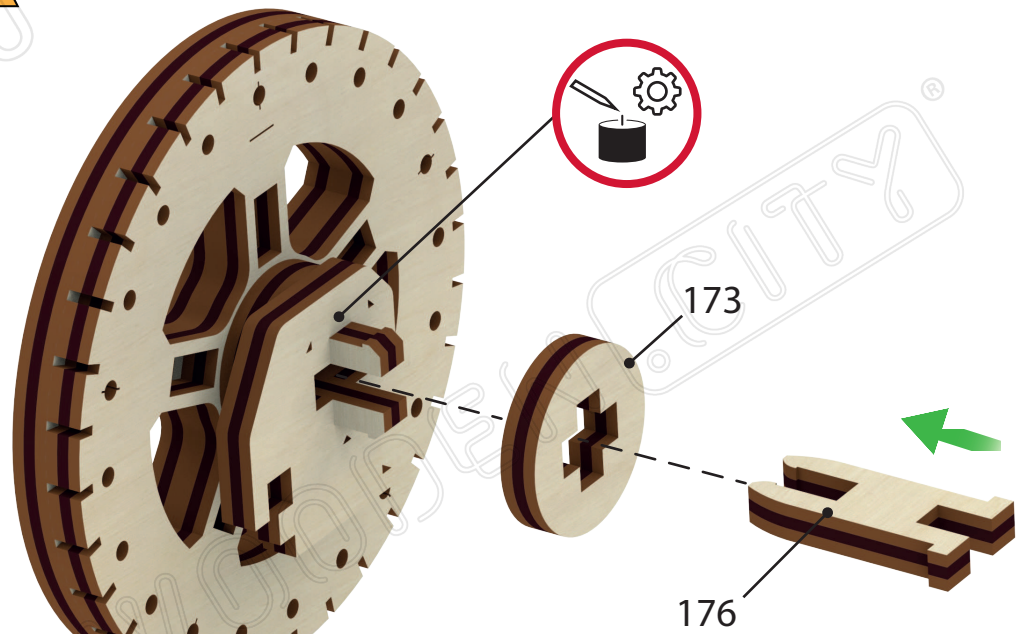
360 min



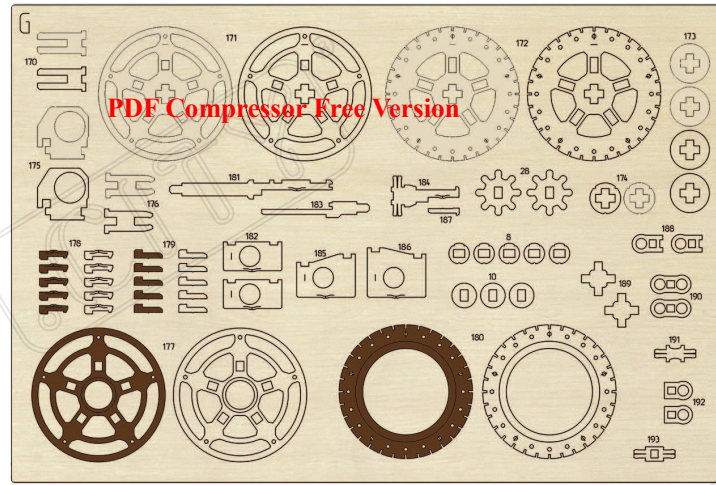
2



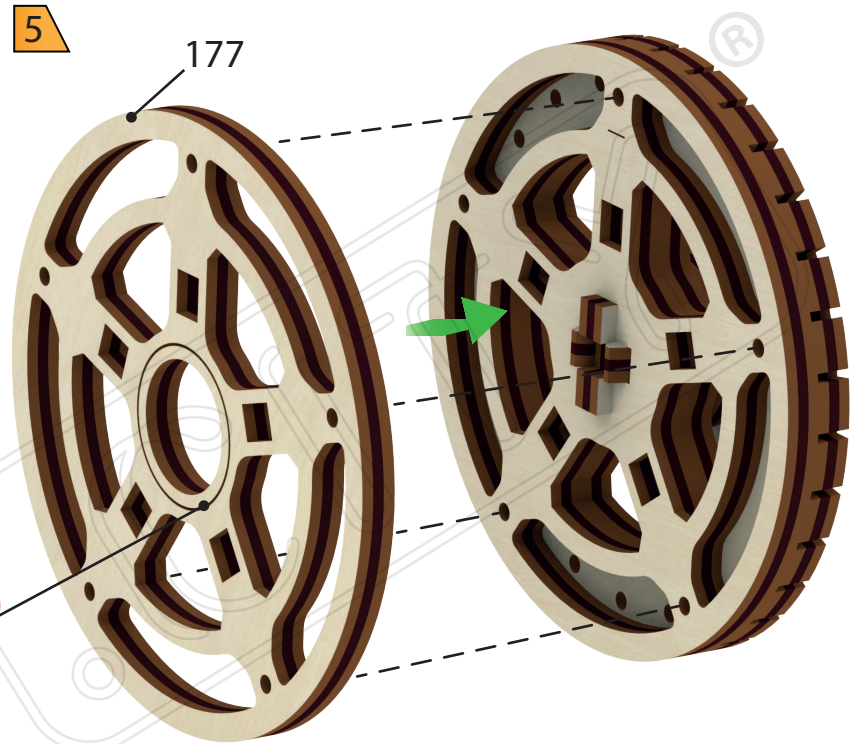
3



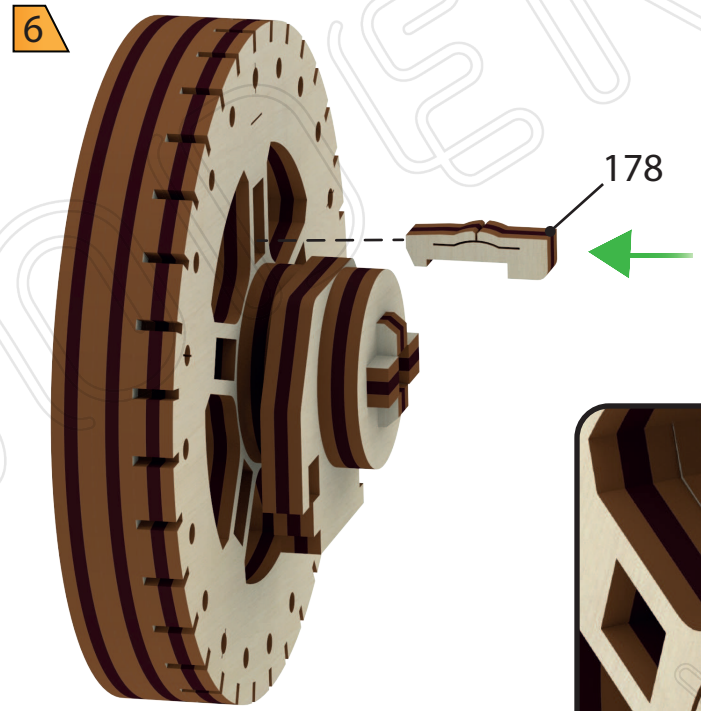
4



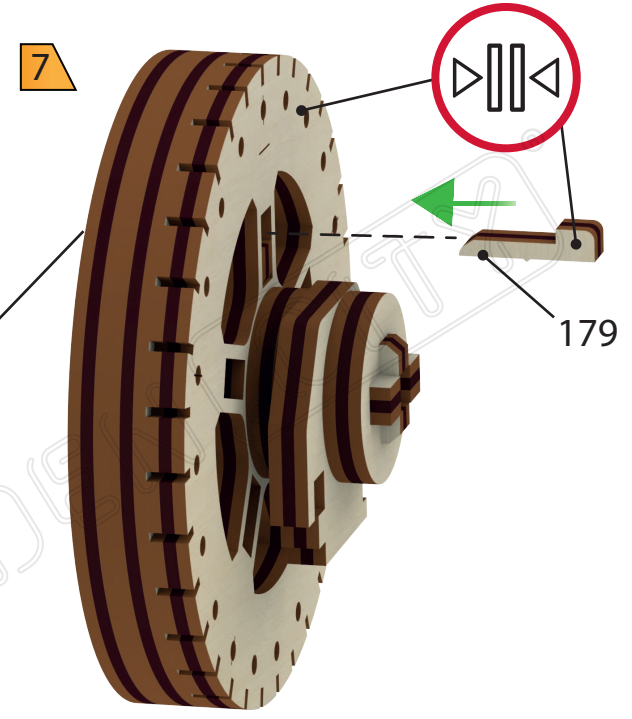
5



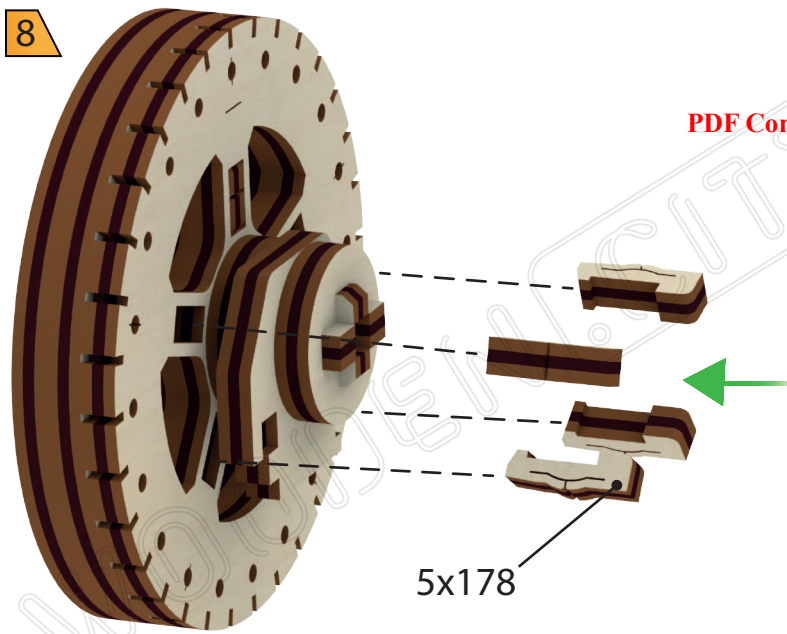
6



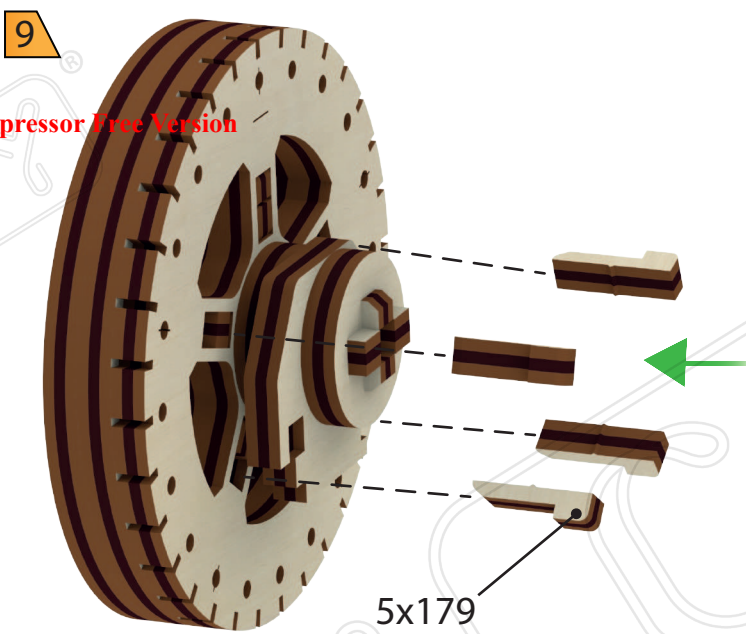
7



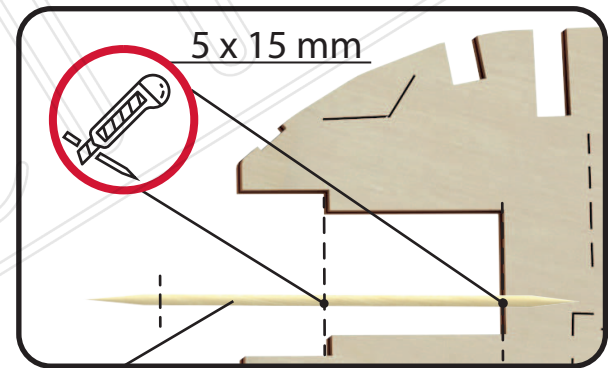
8



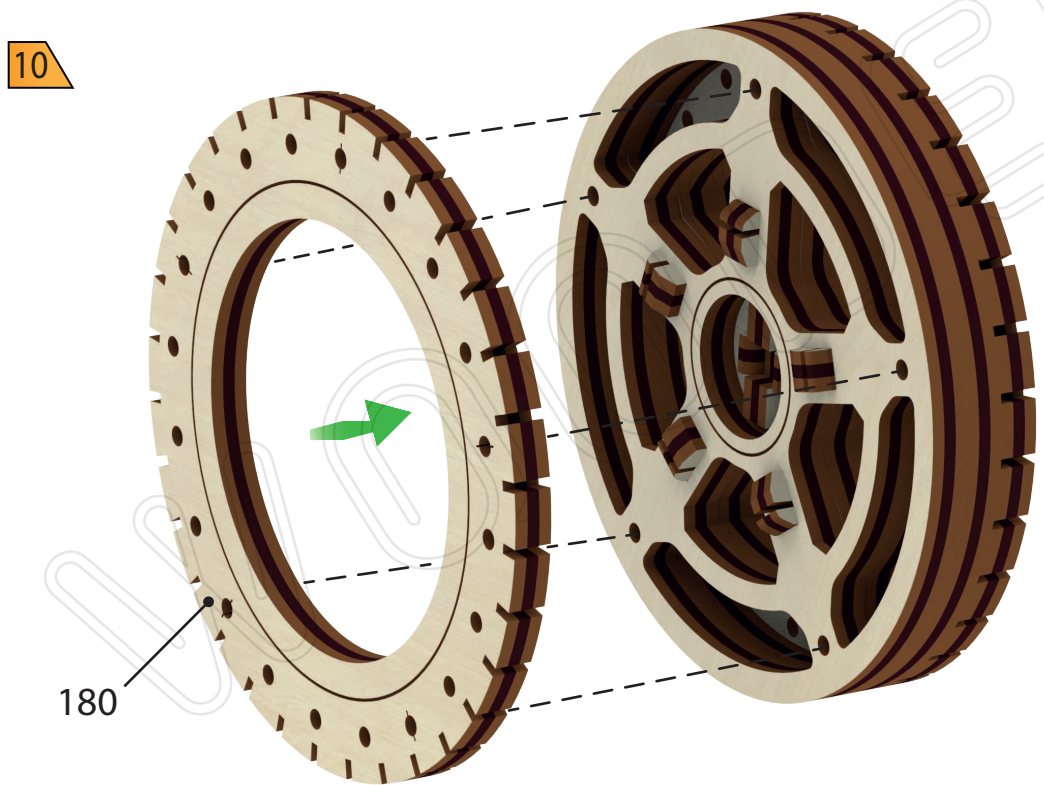
9



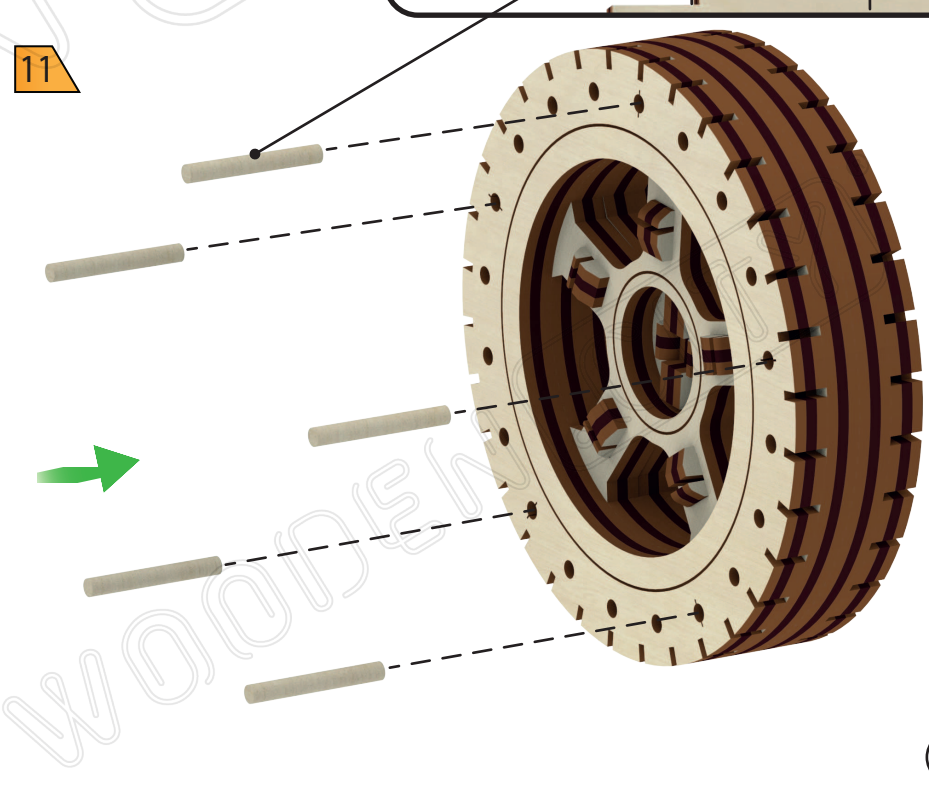
PDF Compressor Free Version



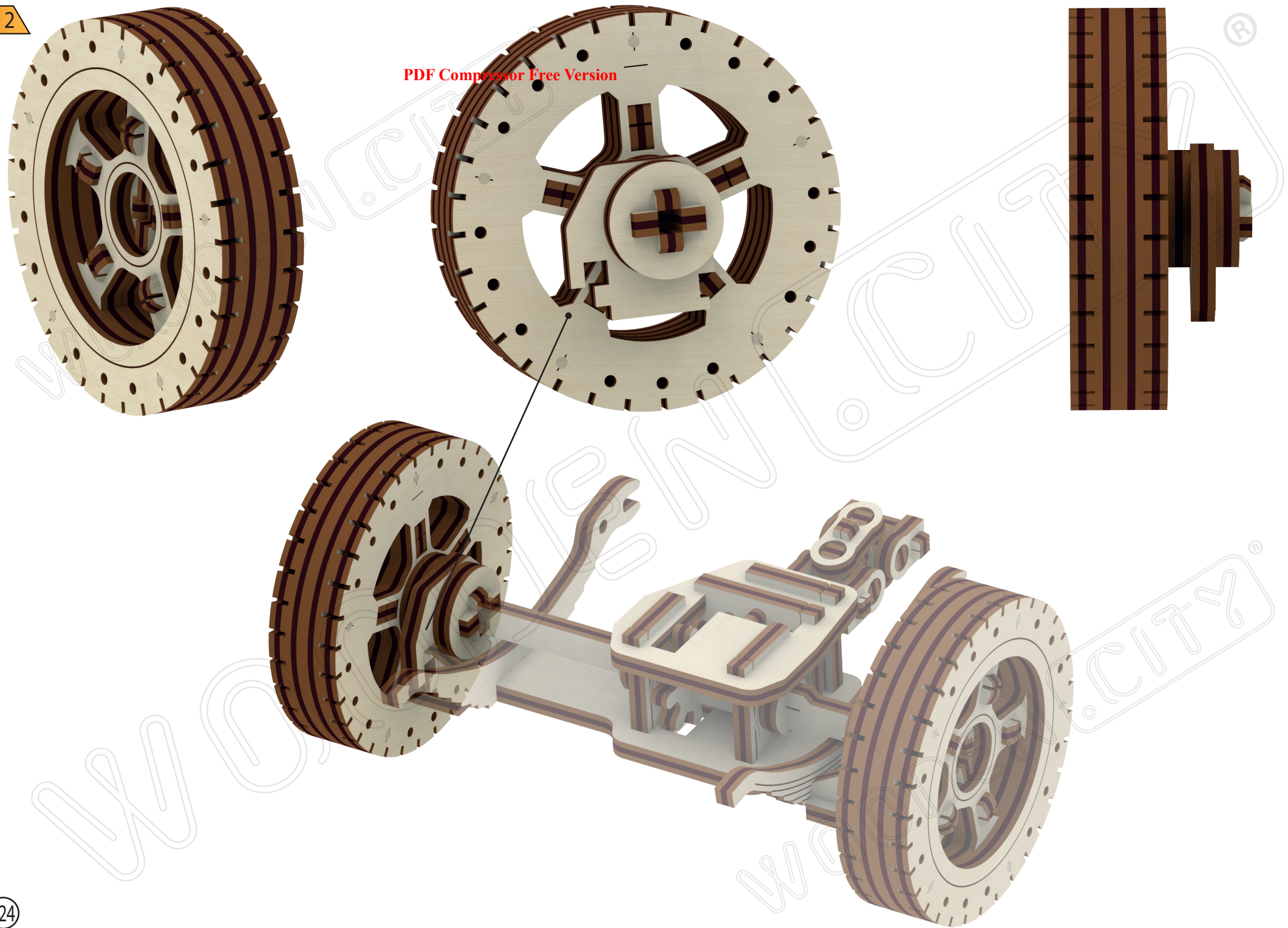
10

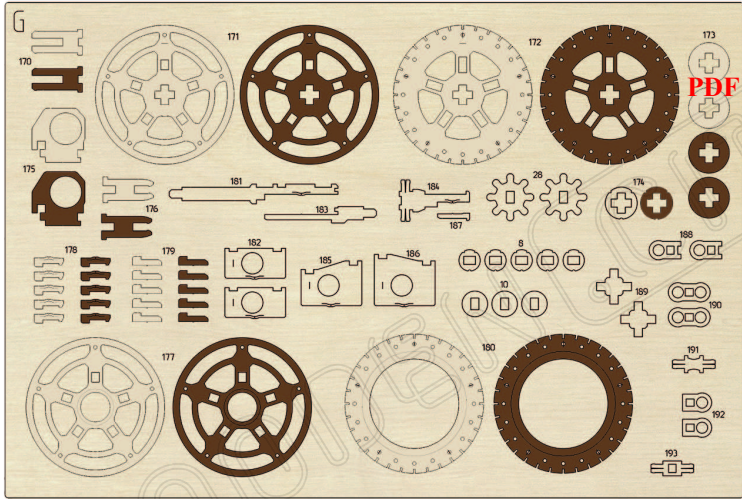


11



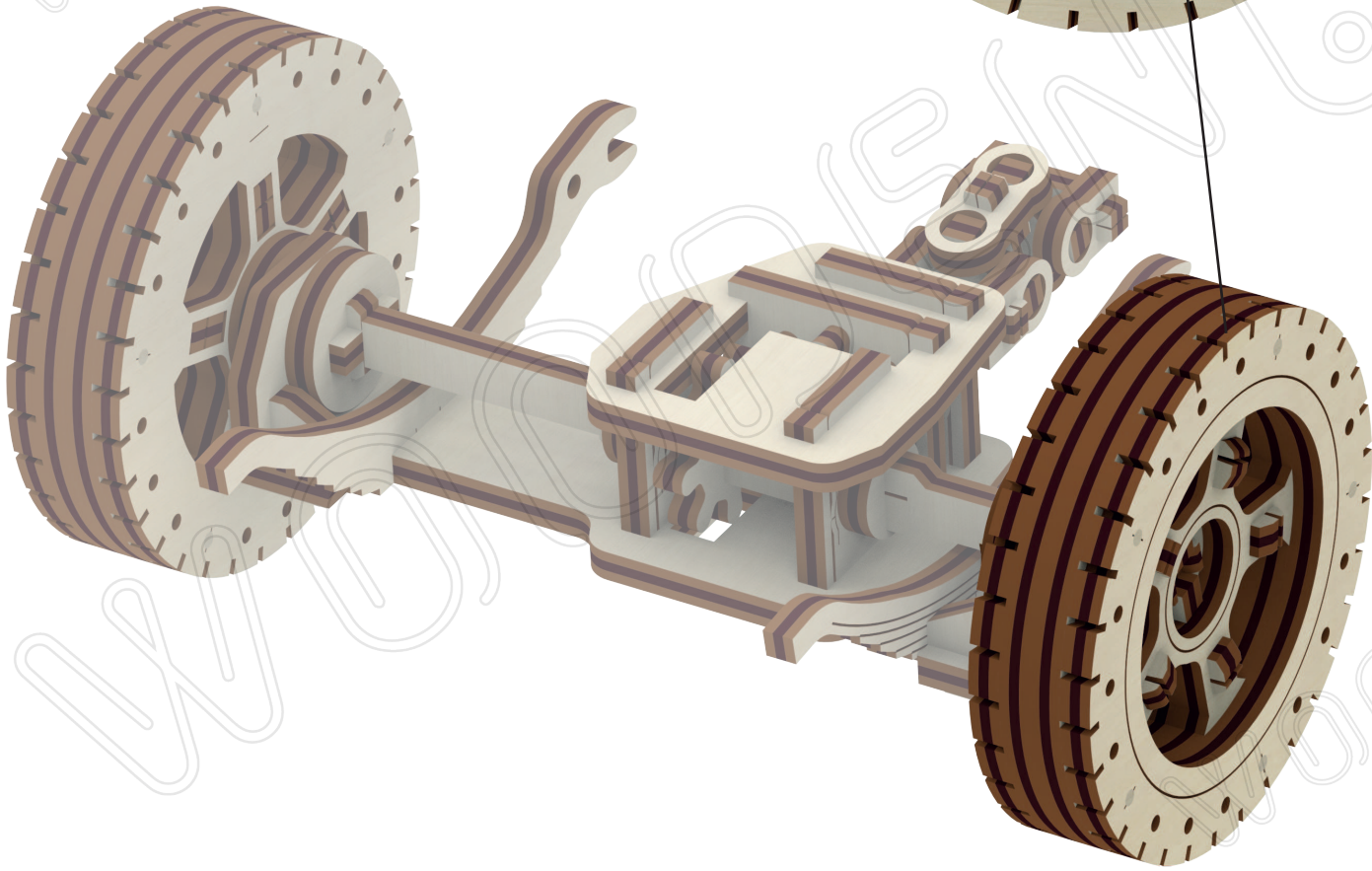
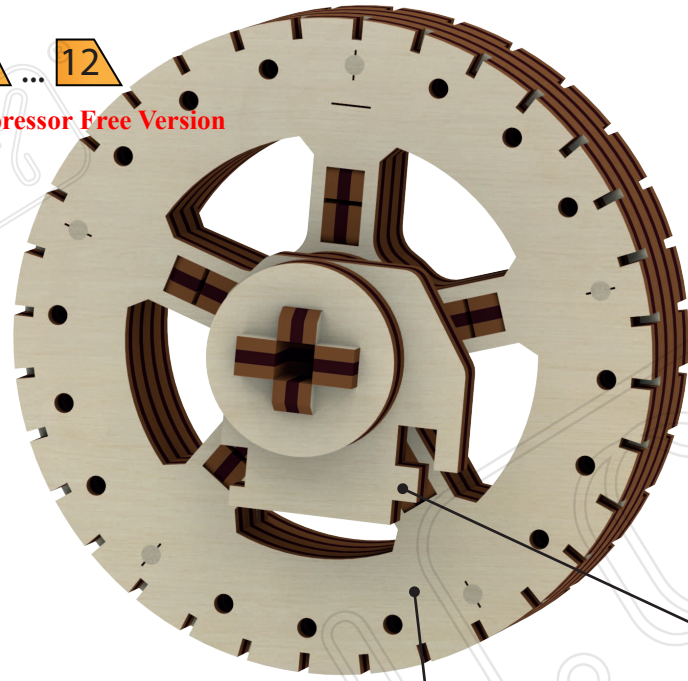
PDF Compressor Free Version



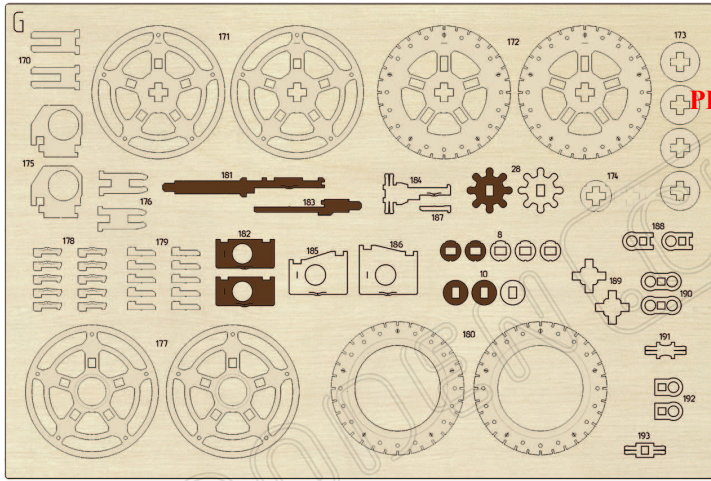


1 ... 12

PDF Compressor Free Version



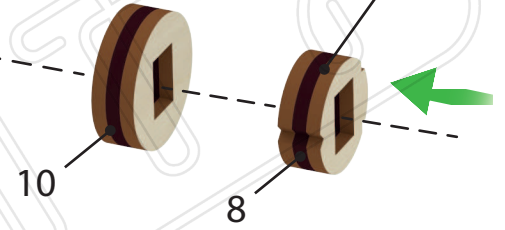
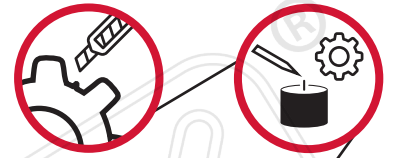




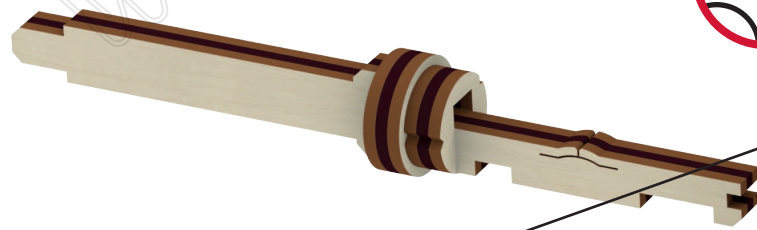
1

PDF Compressor Free Version

181

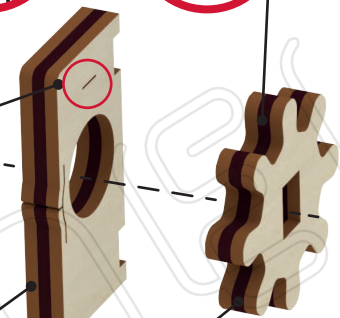


2

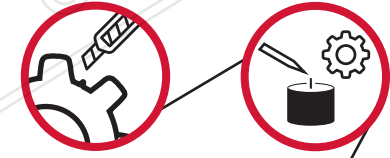
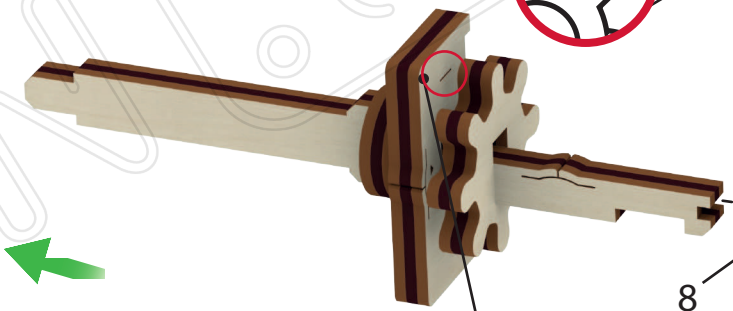


182

28

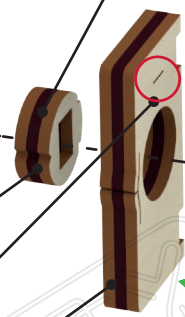


3

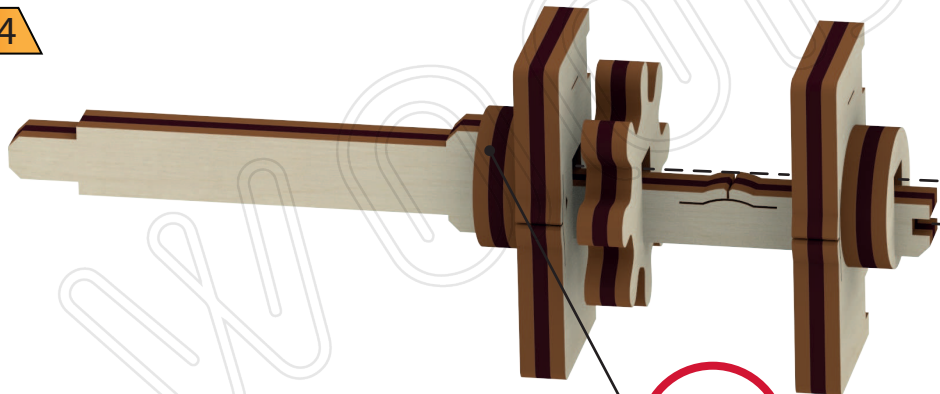


182

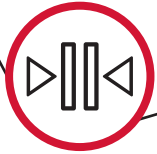
10



4

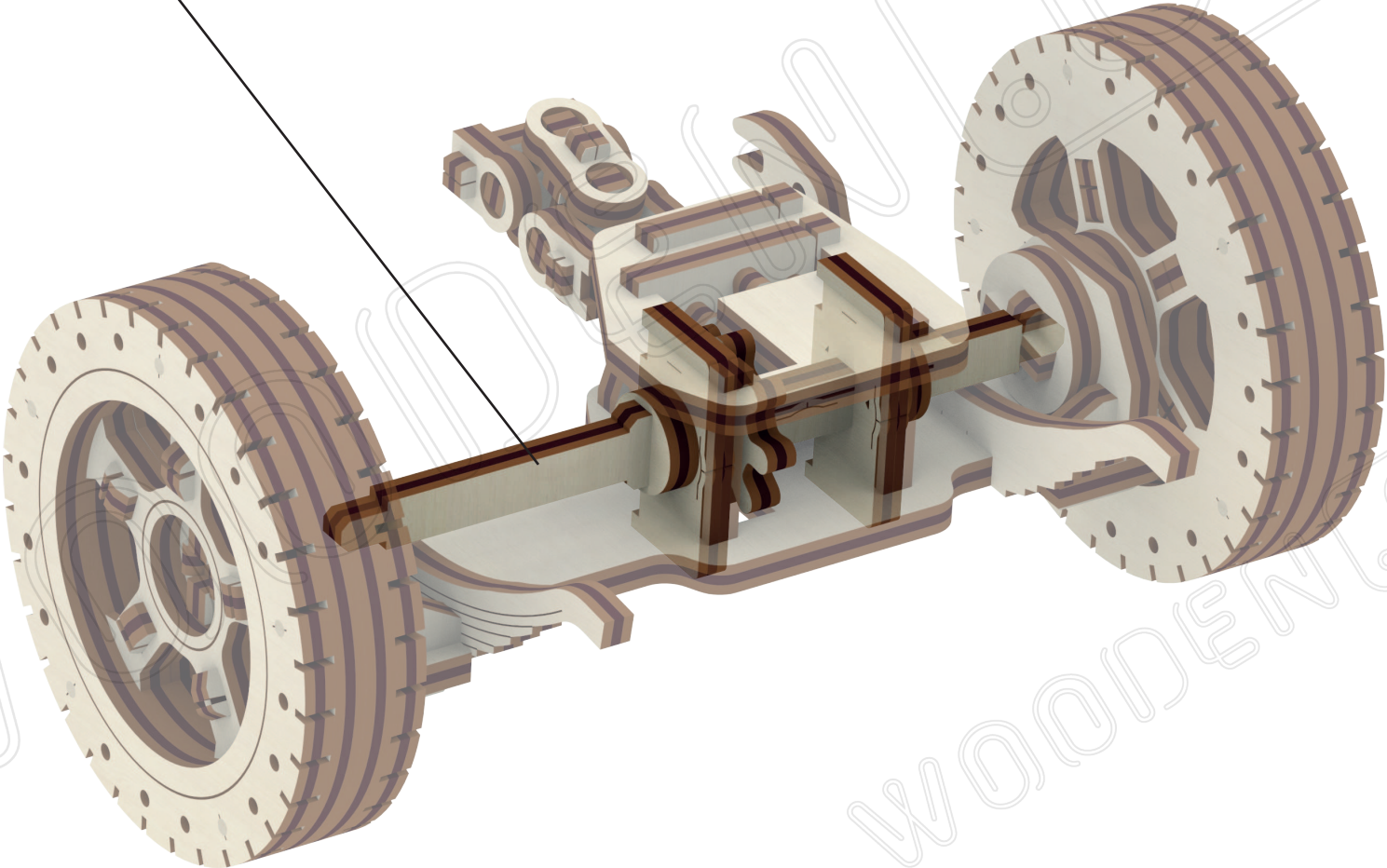
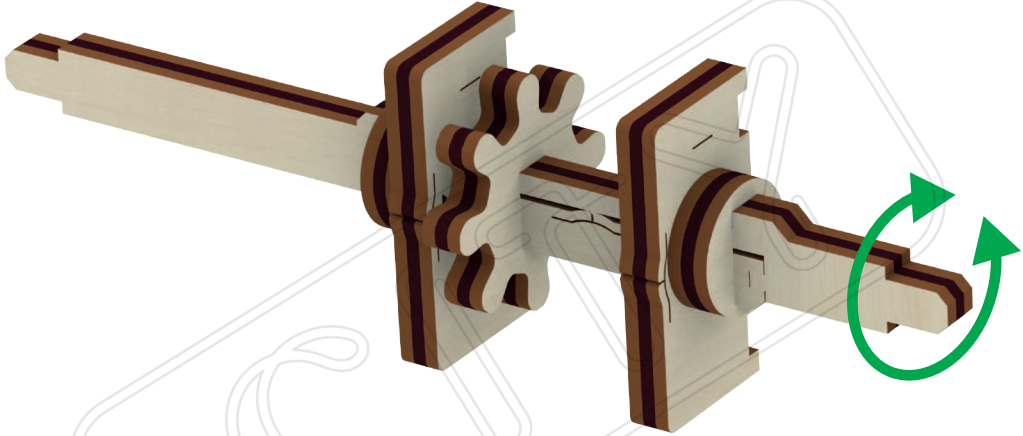
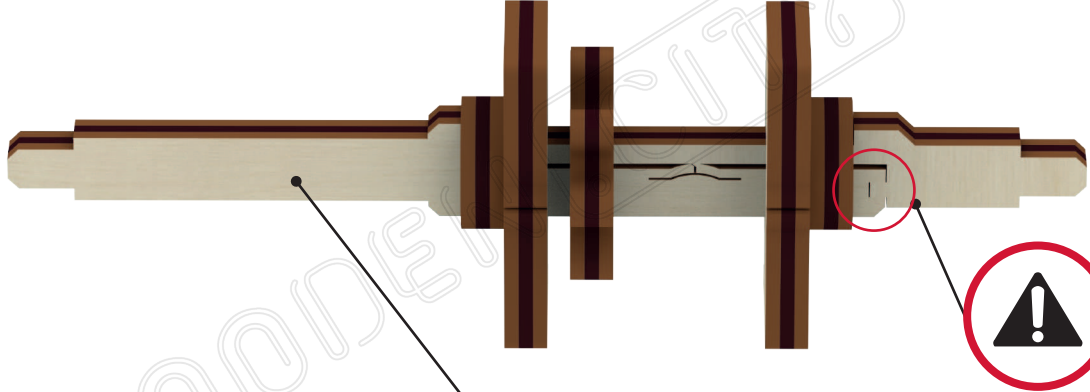


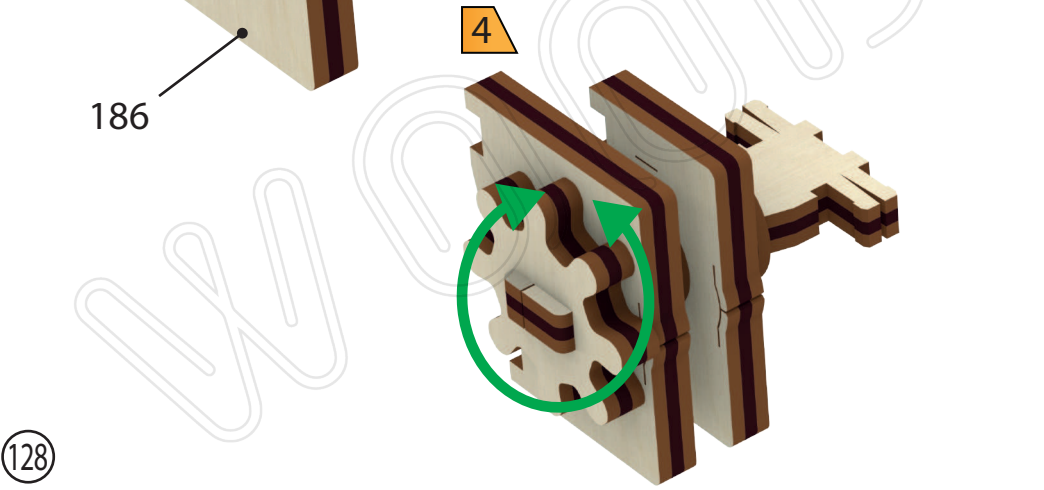
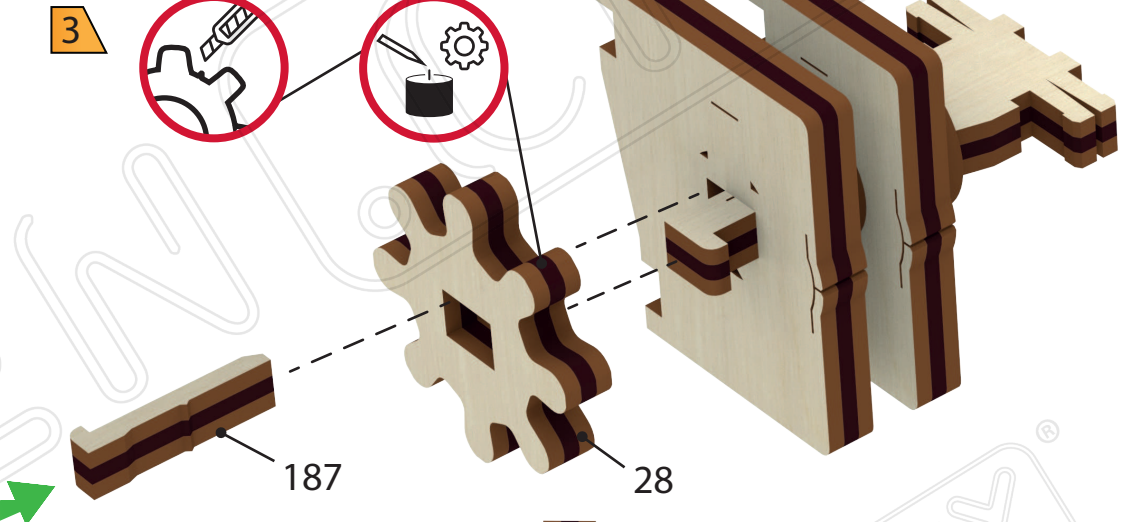
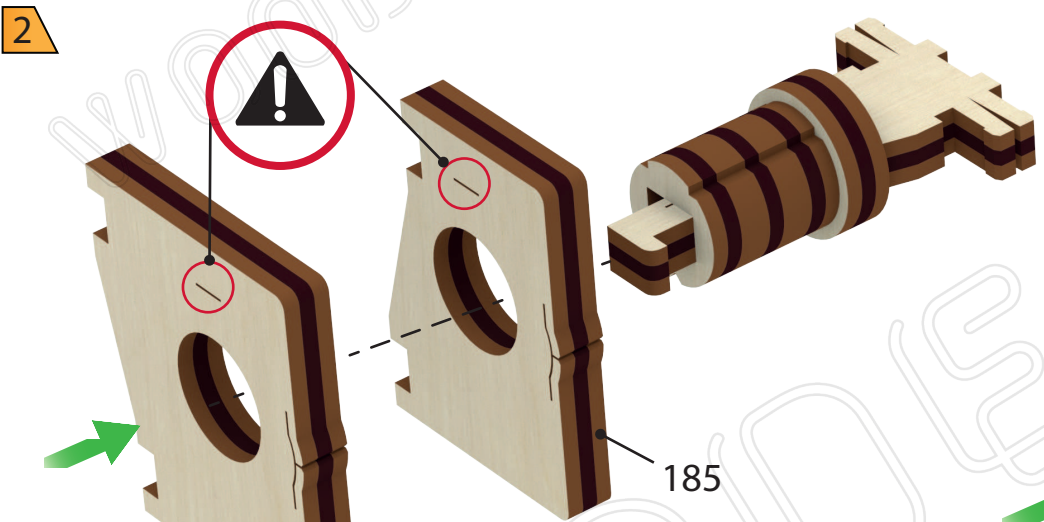
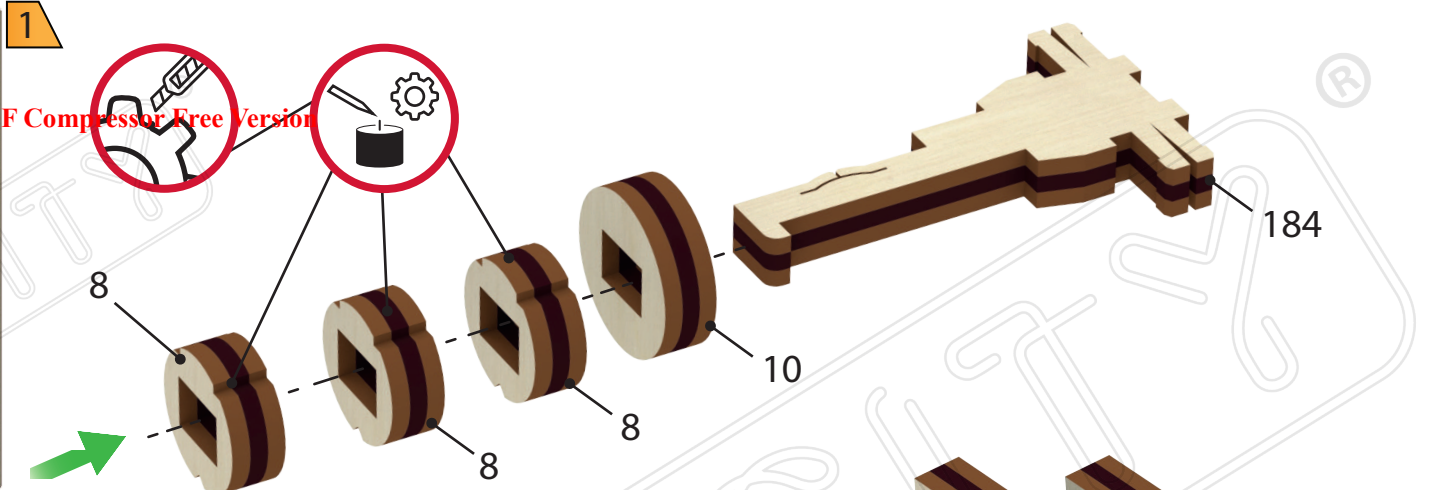
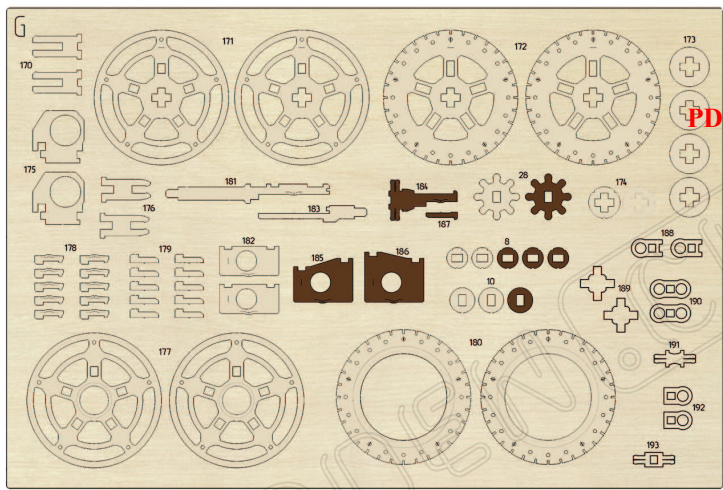
183

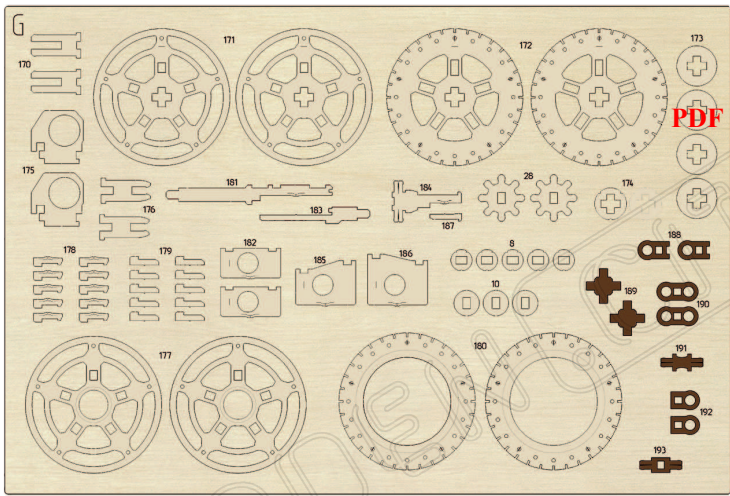


126

PDF Compressor Free Version

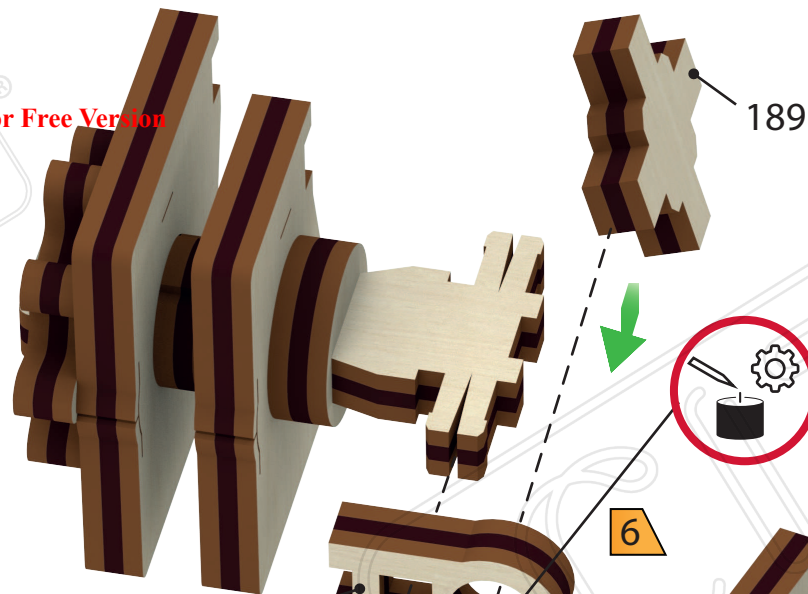






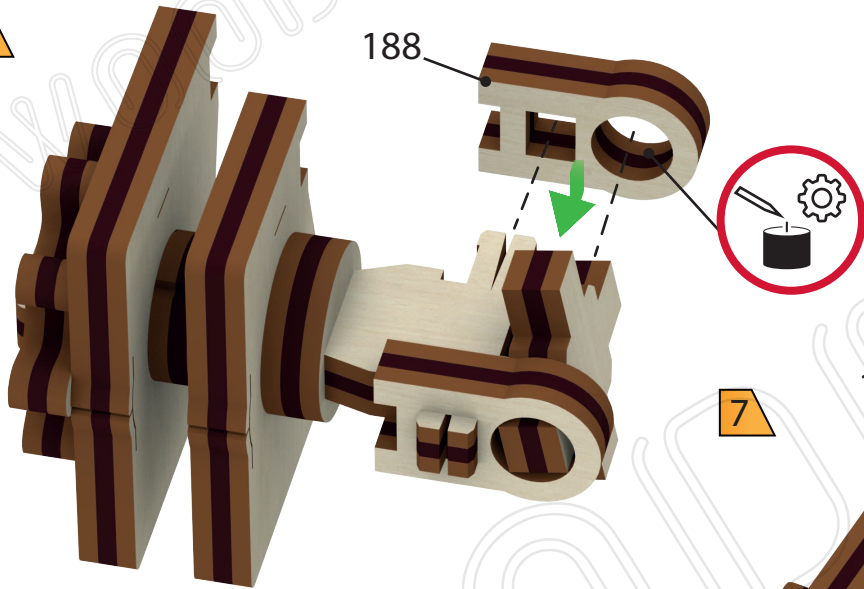
4

PDF Compressor Free Version



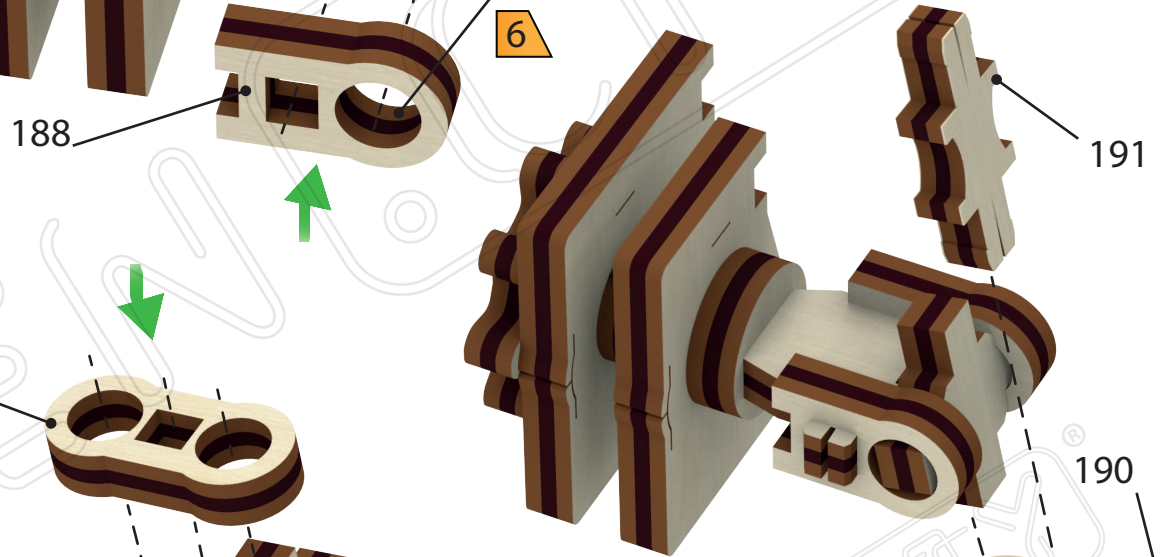
189

5



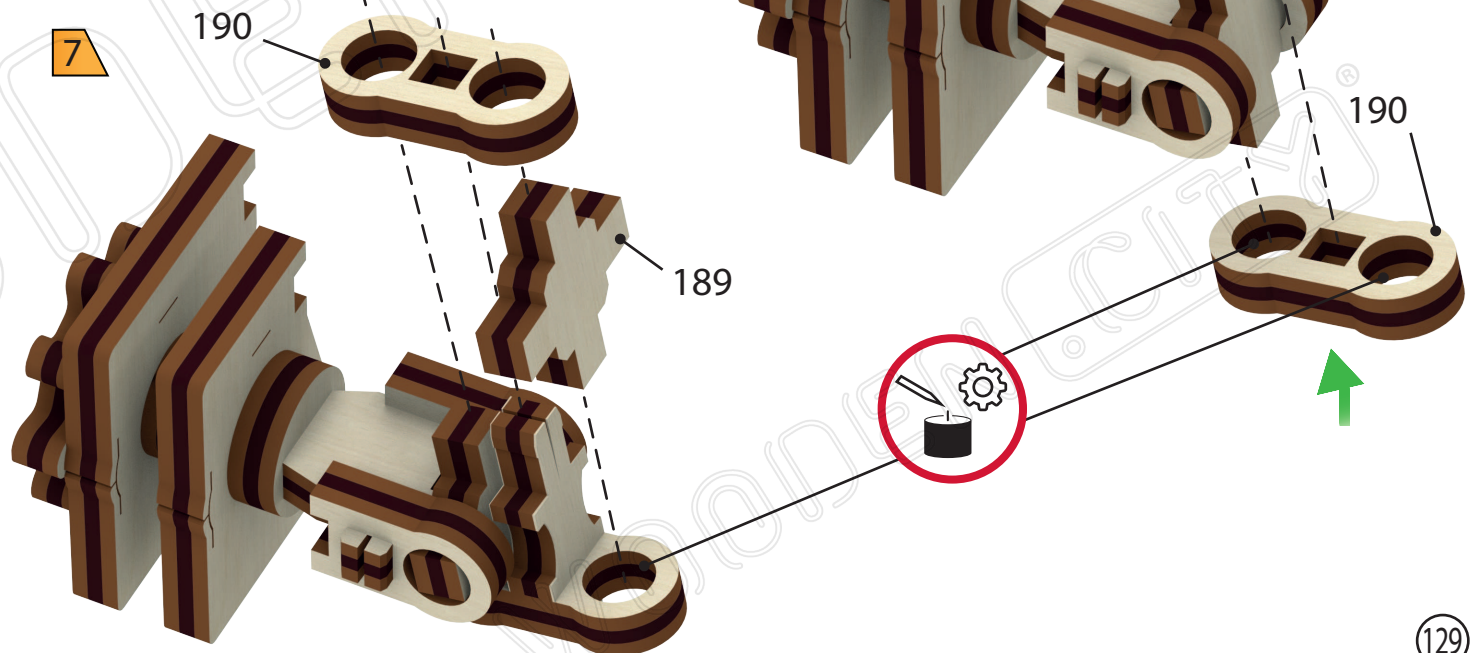
188

6



191

7

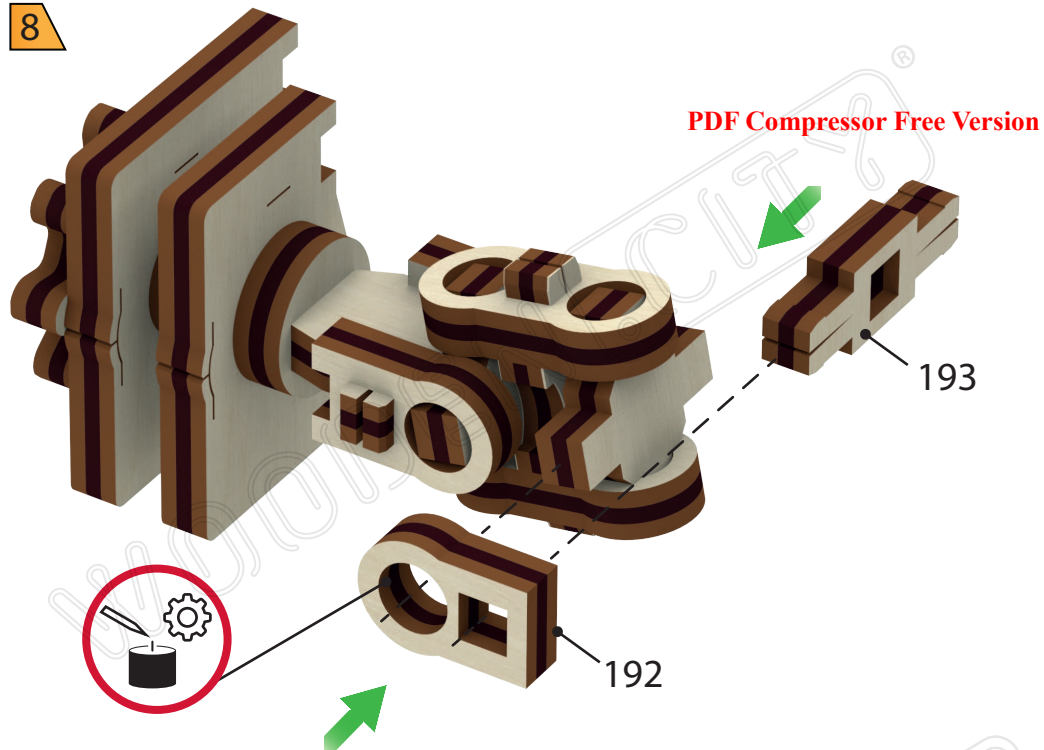


190

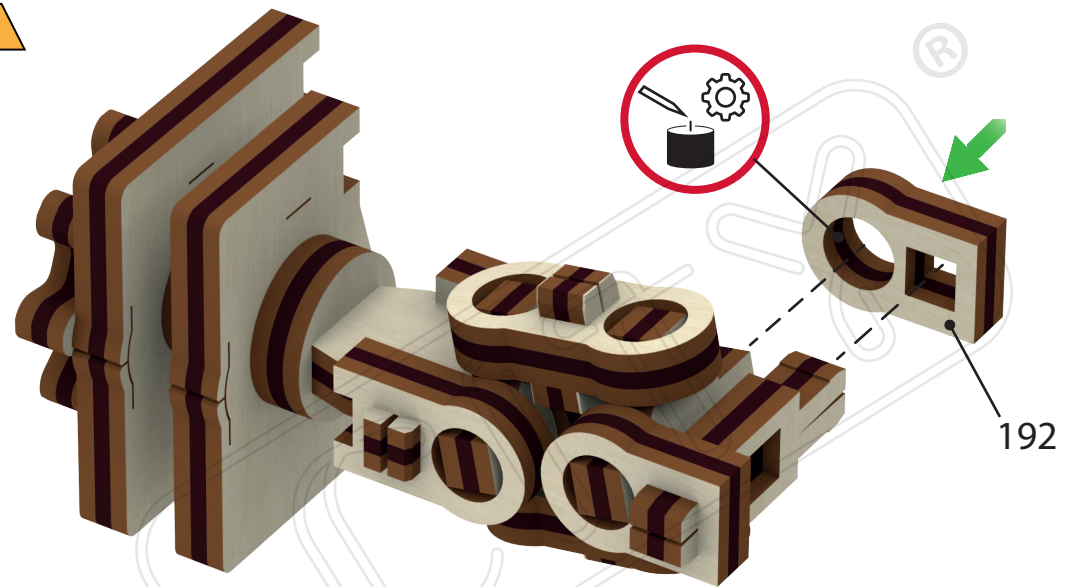
190

189

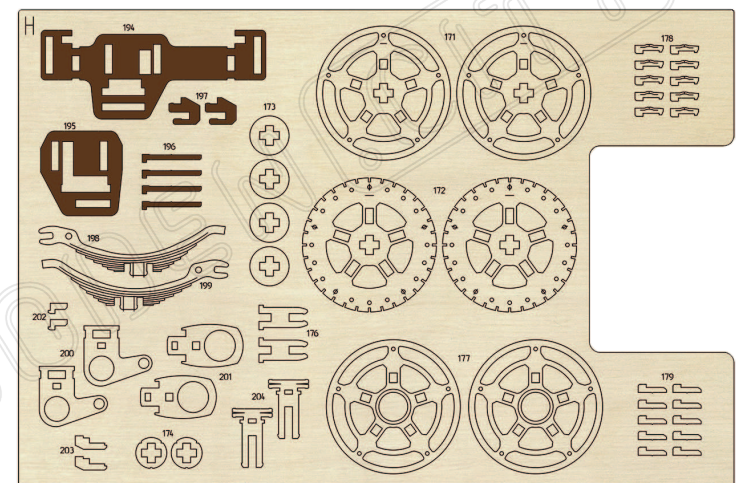
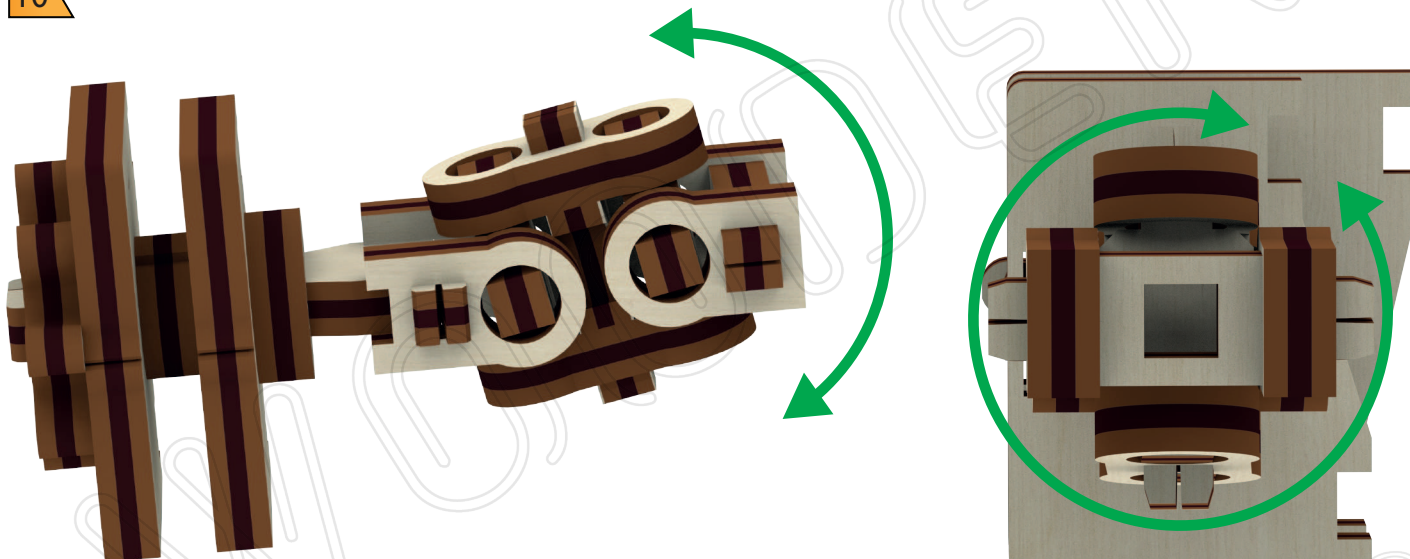
8



9



10



PDF Compressor Free Version

