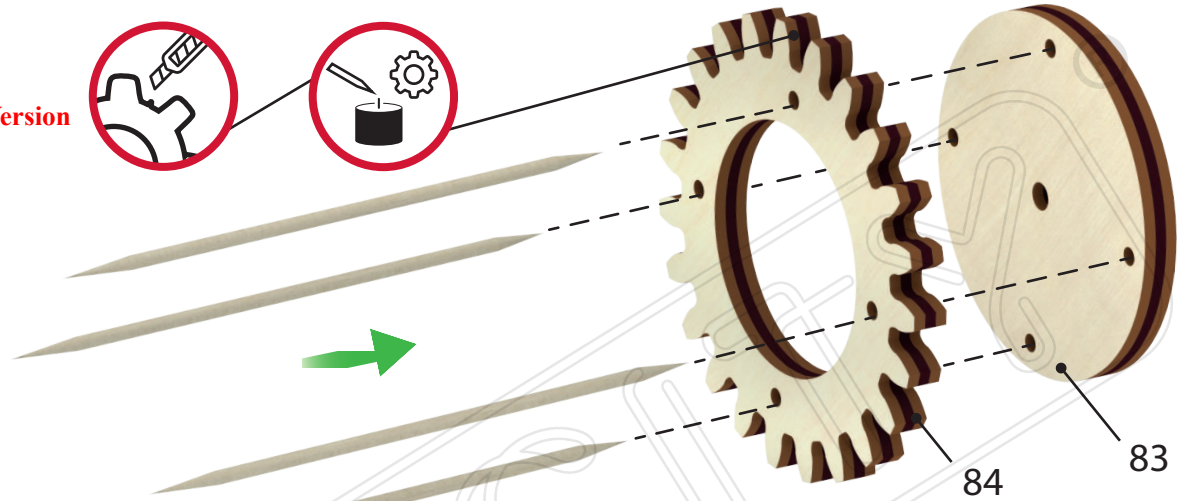
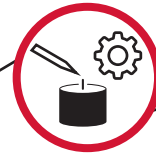
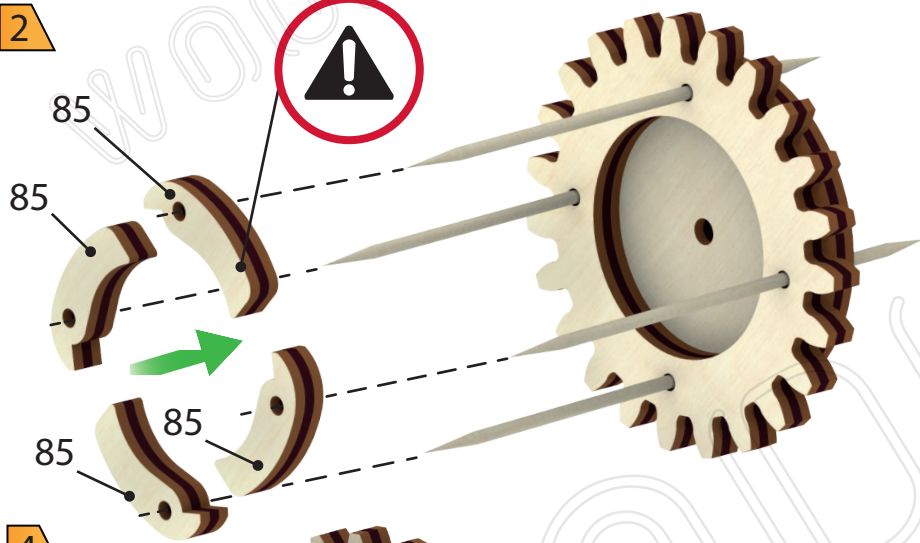


1

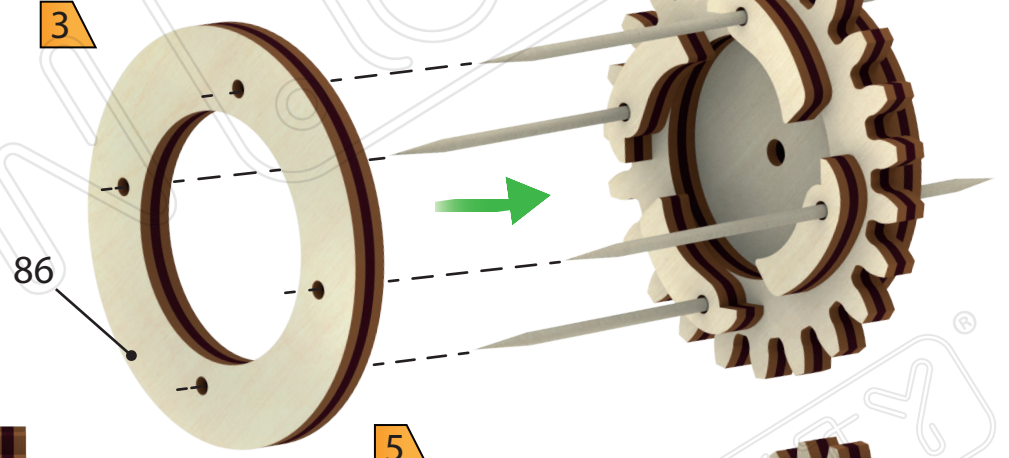
PDF Compressor Free Version



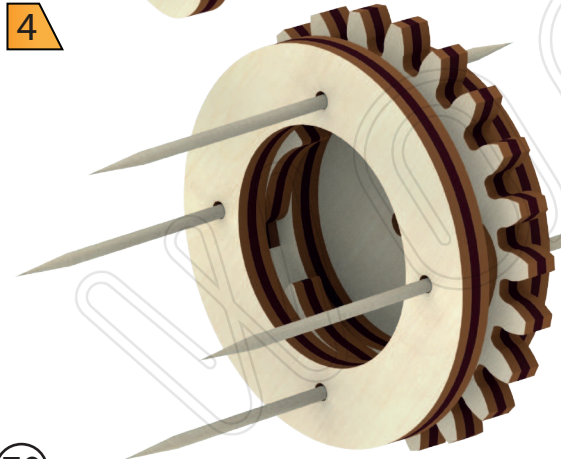
2



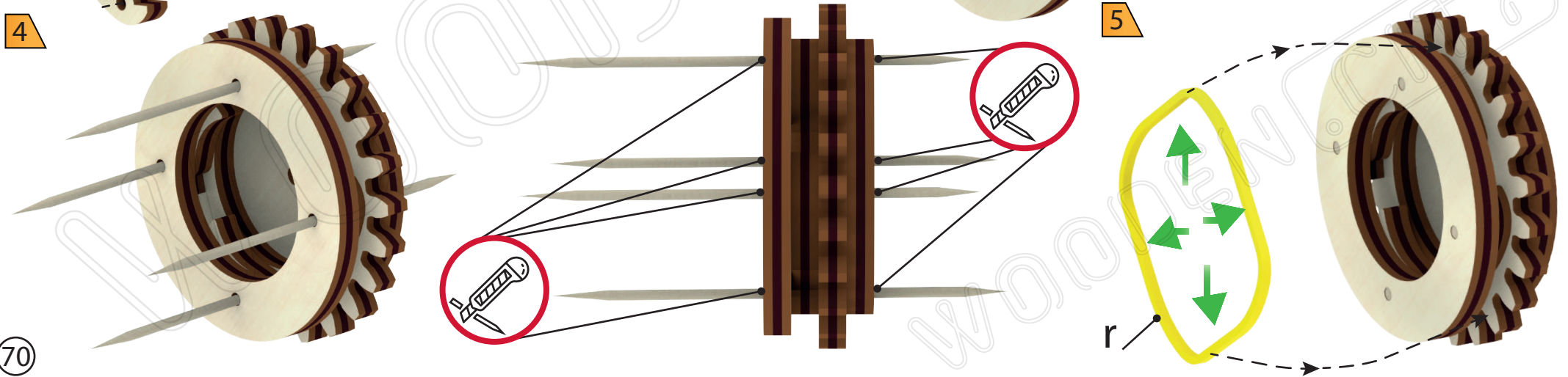
3

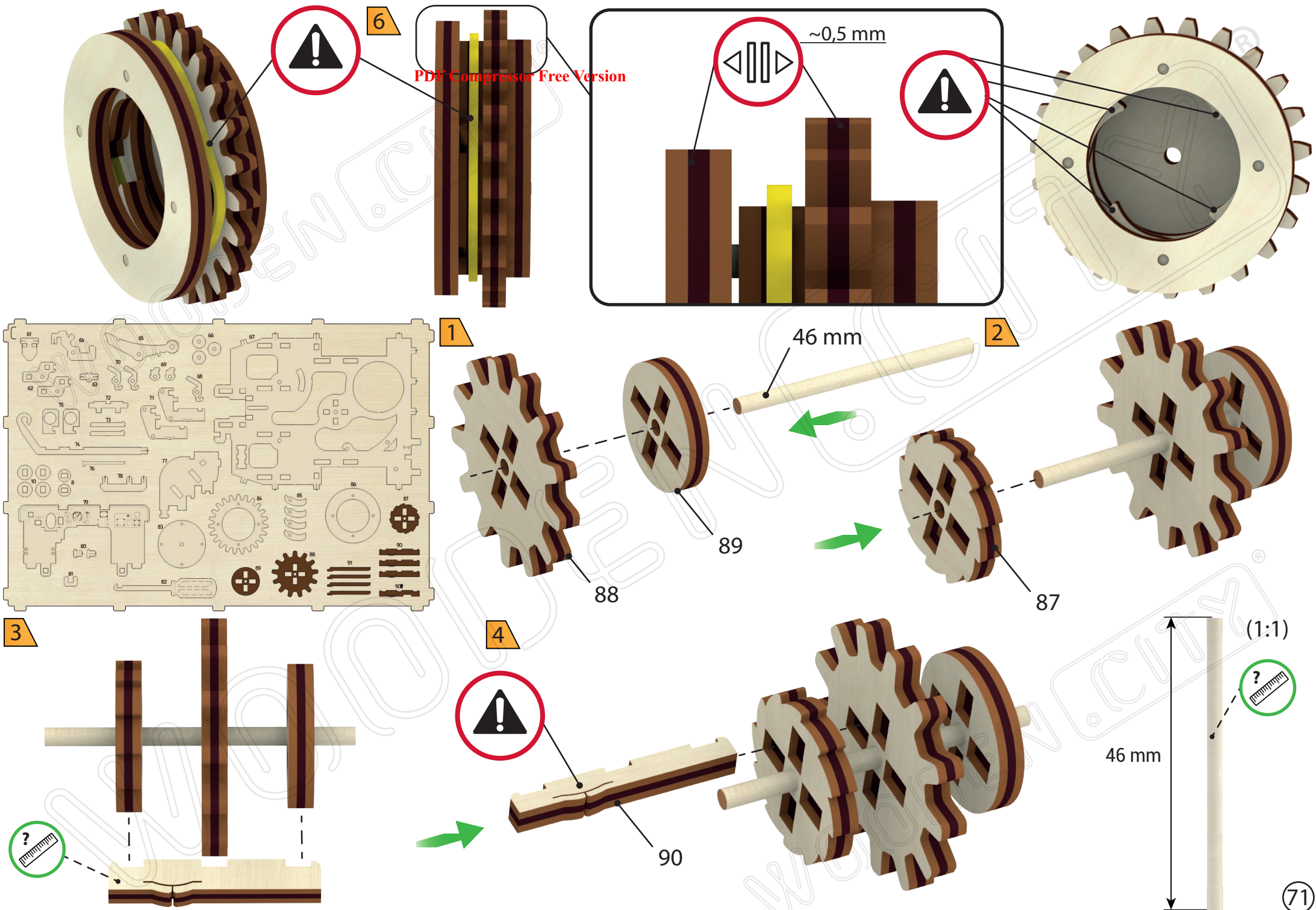


4



5

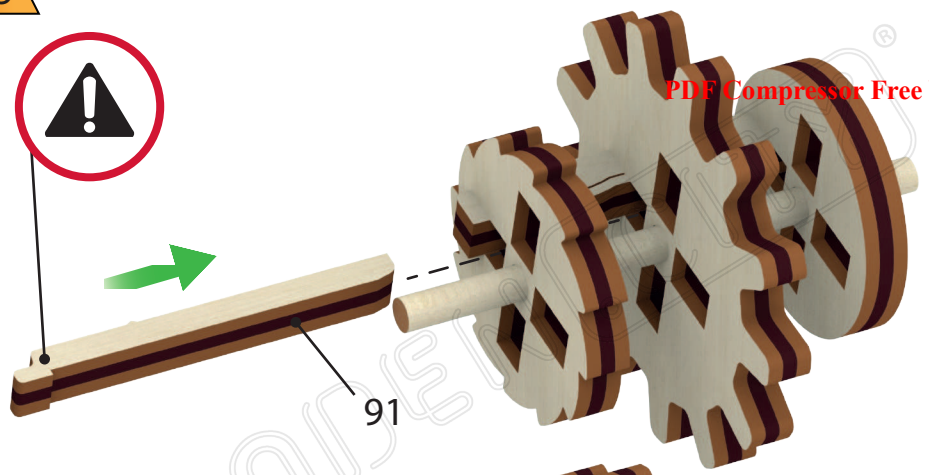




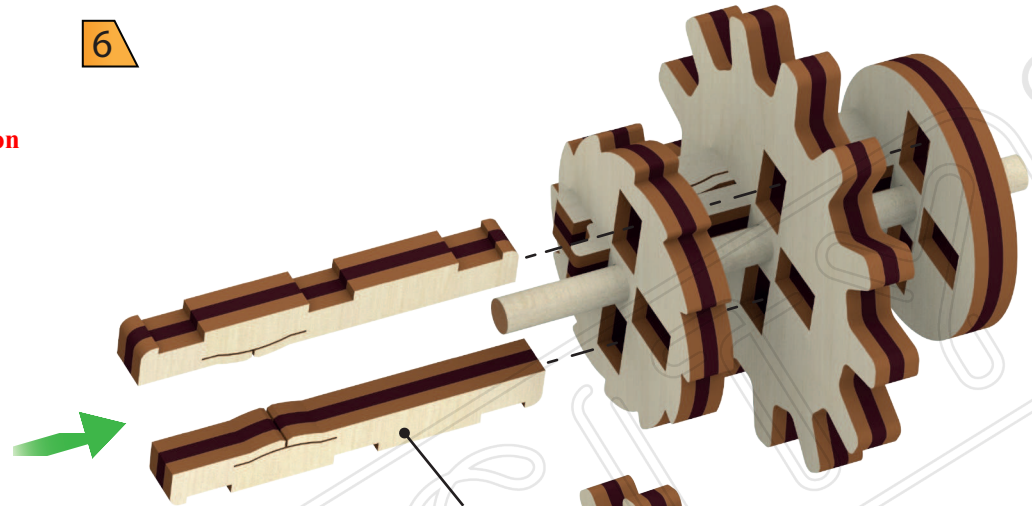
5



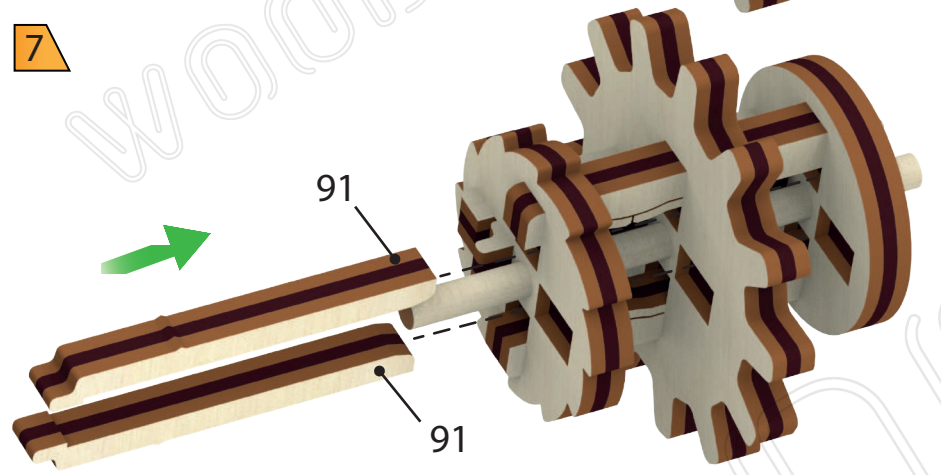
PDF Compressor Free Version



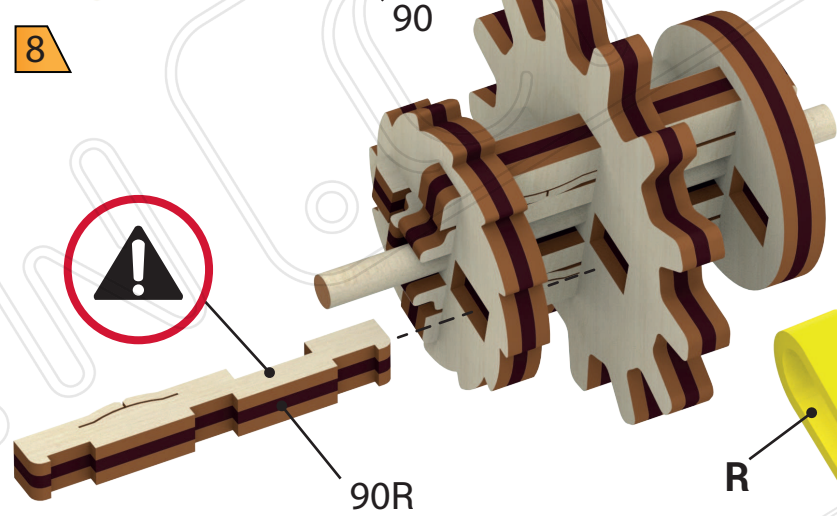
6



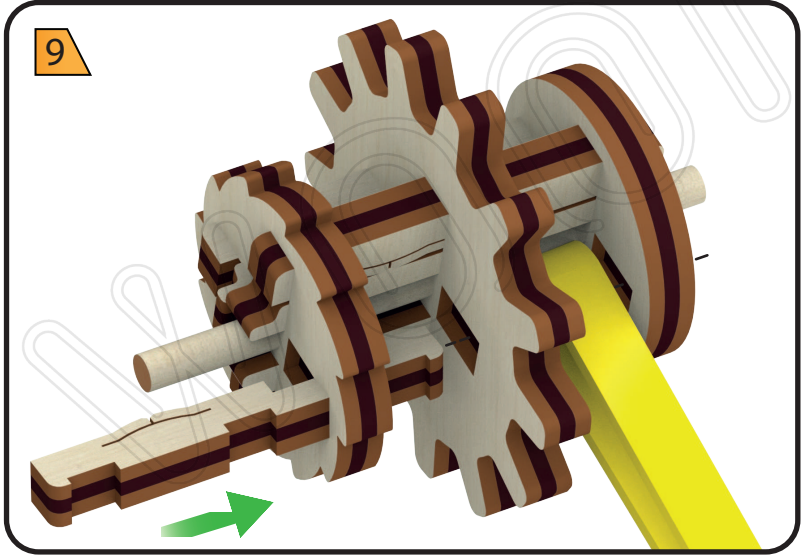
7



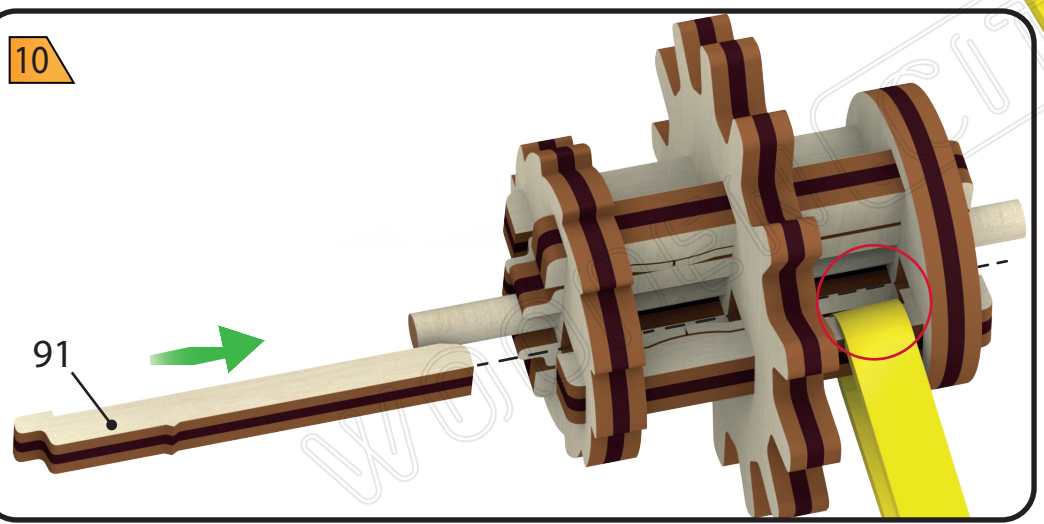
8



9



10



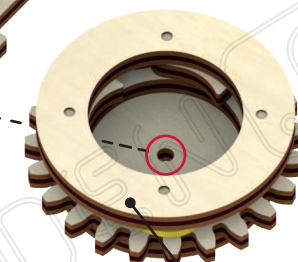
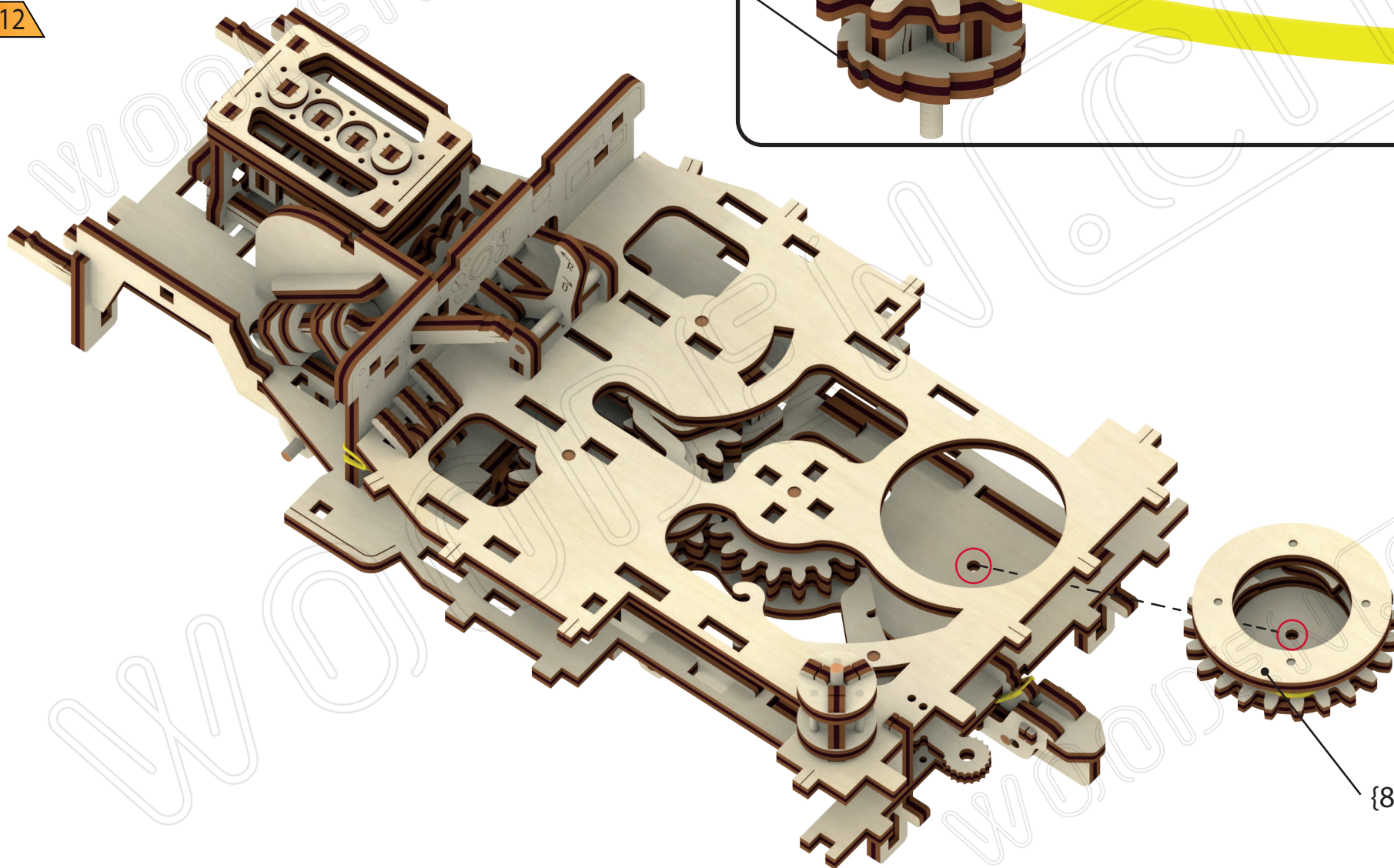
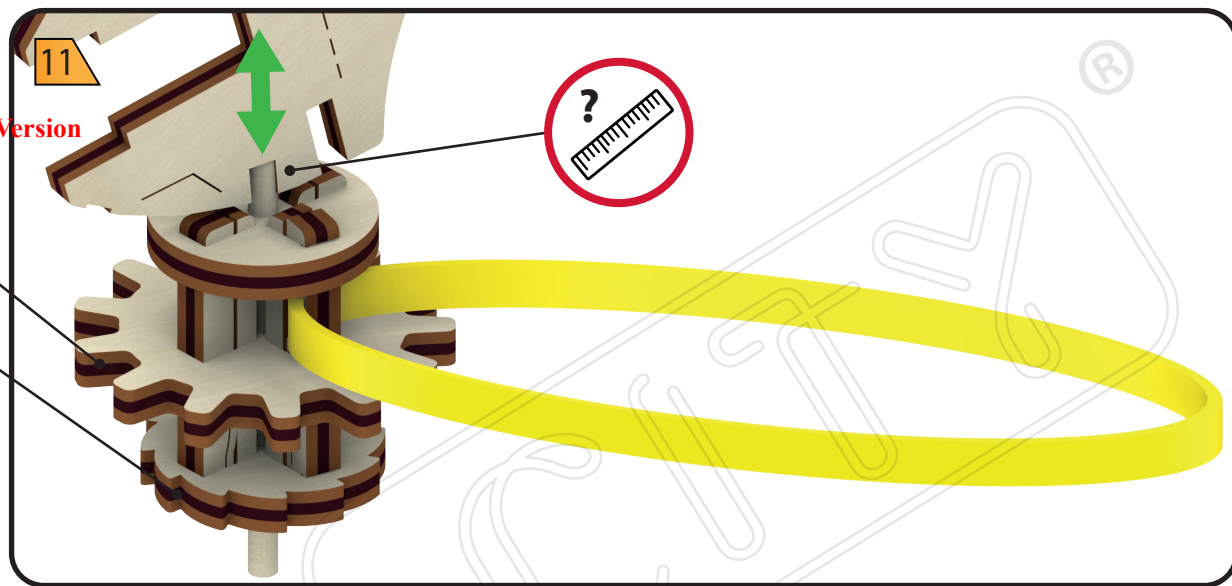
72

®

®

12

PDF Compressor Free Version

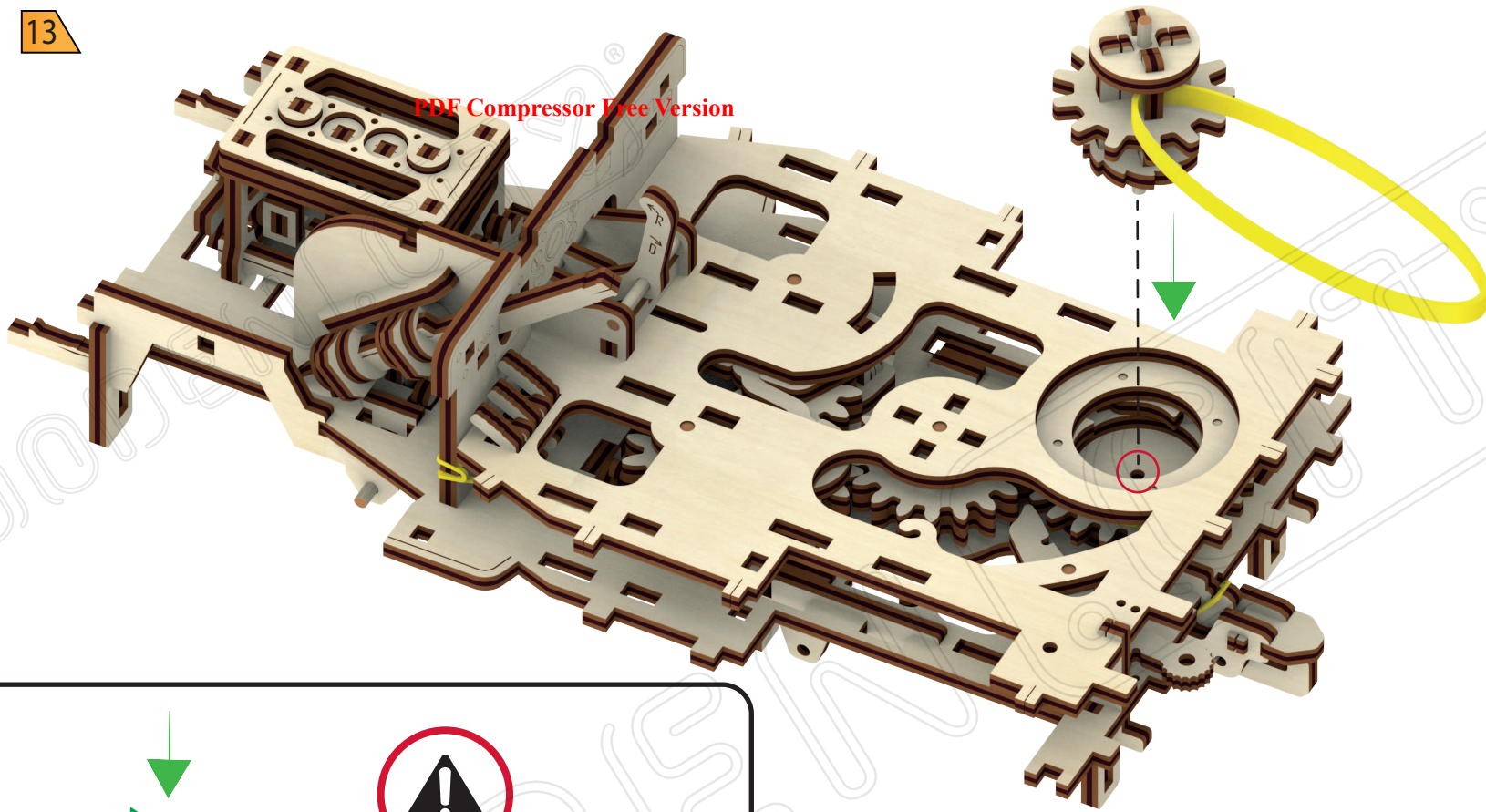


{83-86}

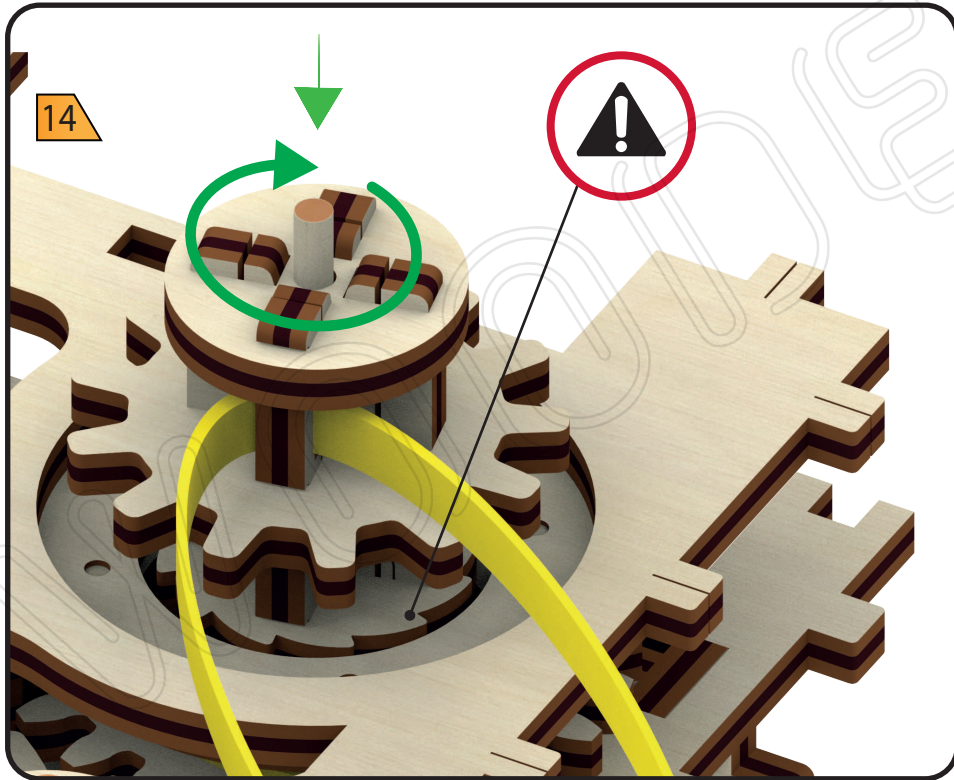


13

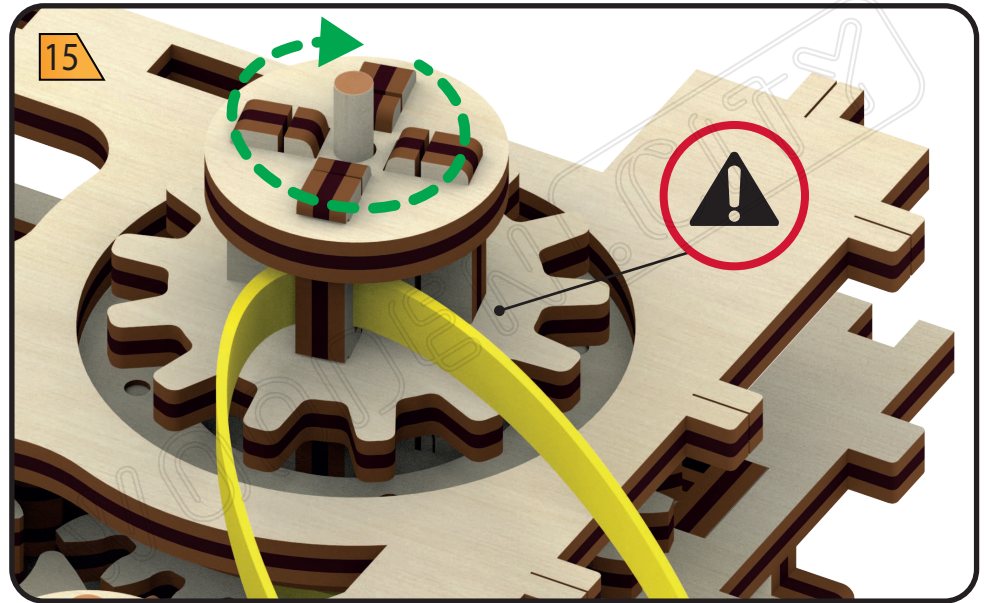
PDF Compressor Free Version



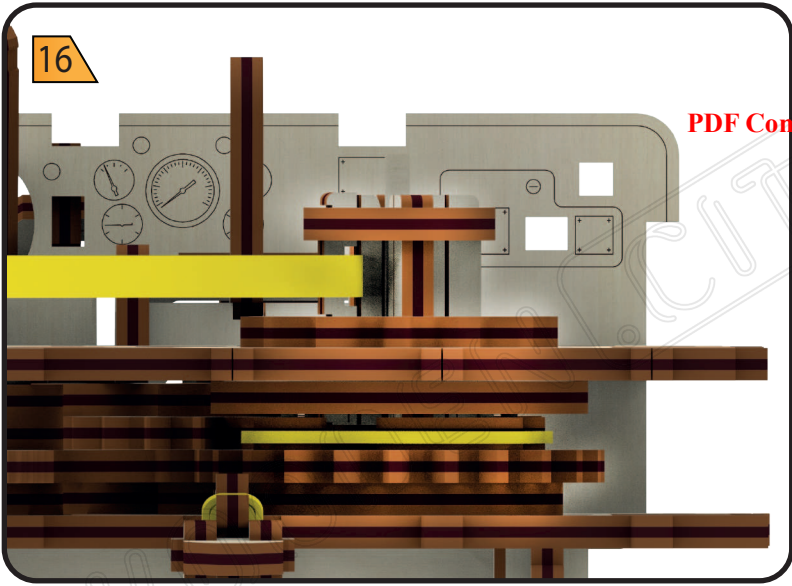
14



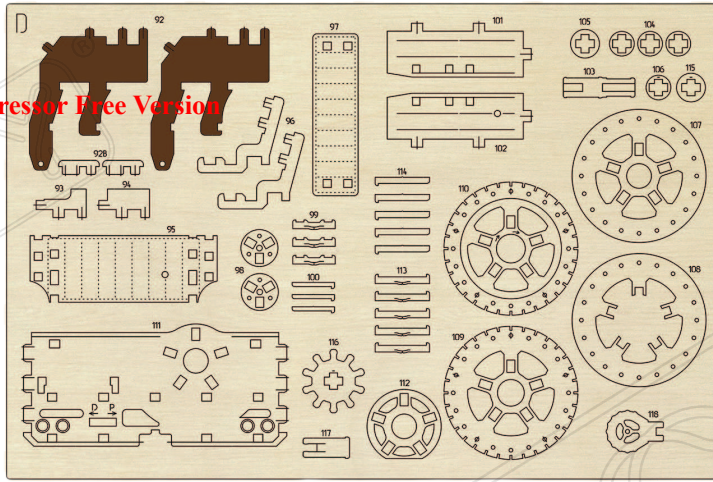
15



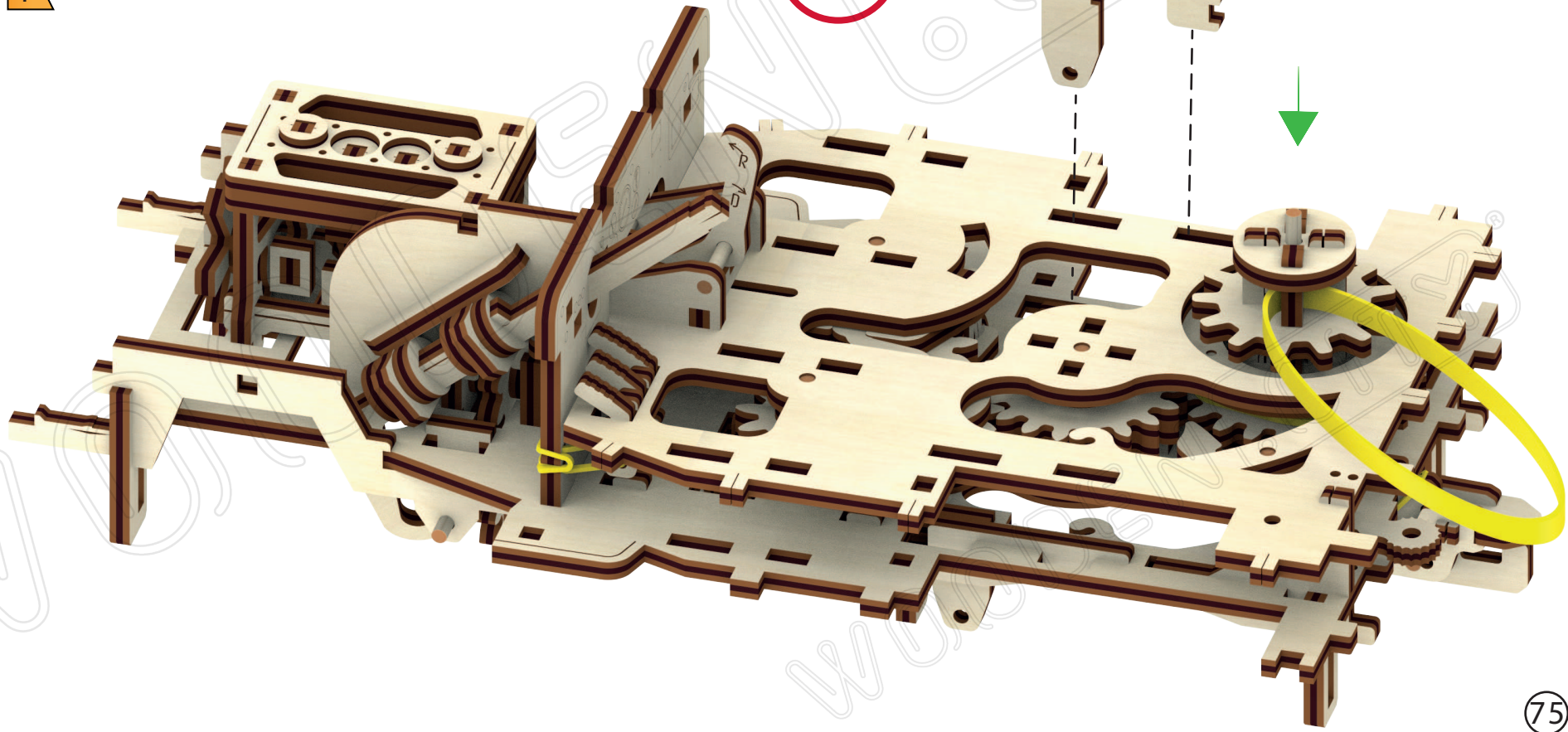
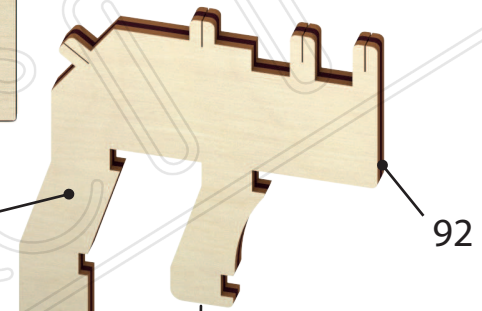
16



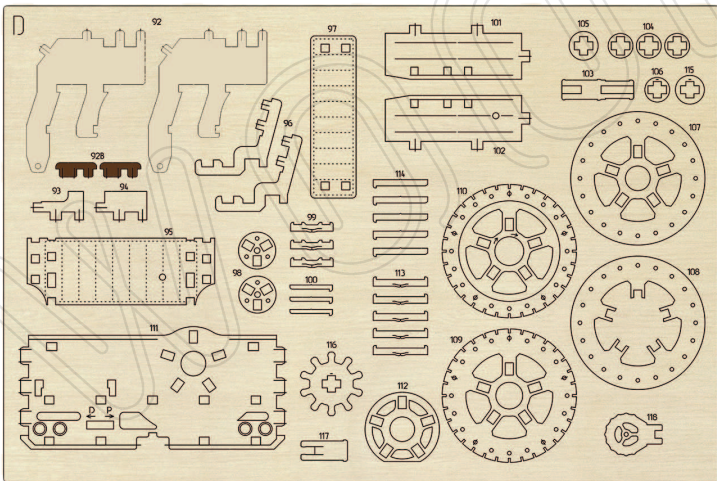
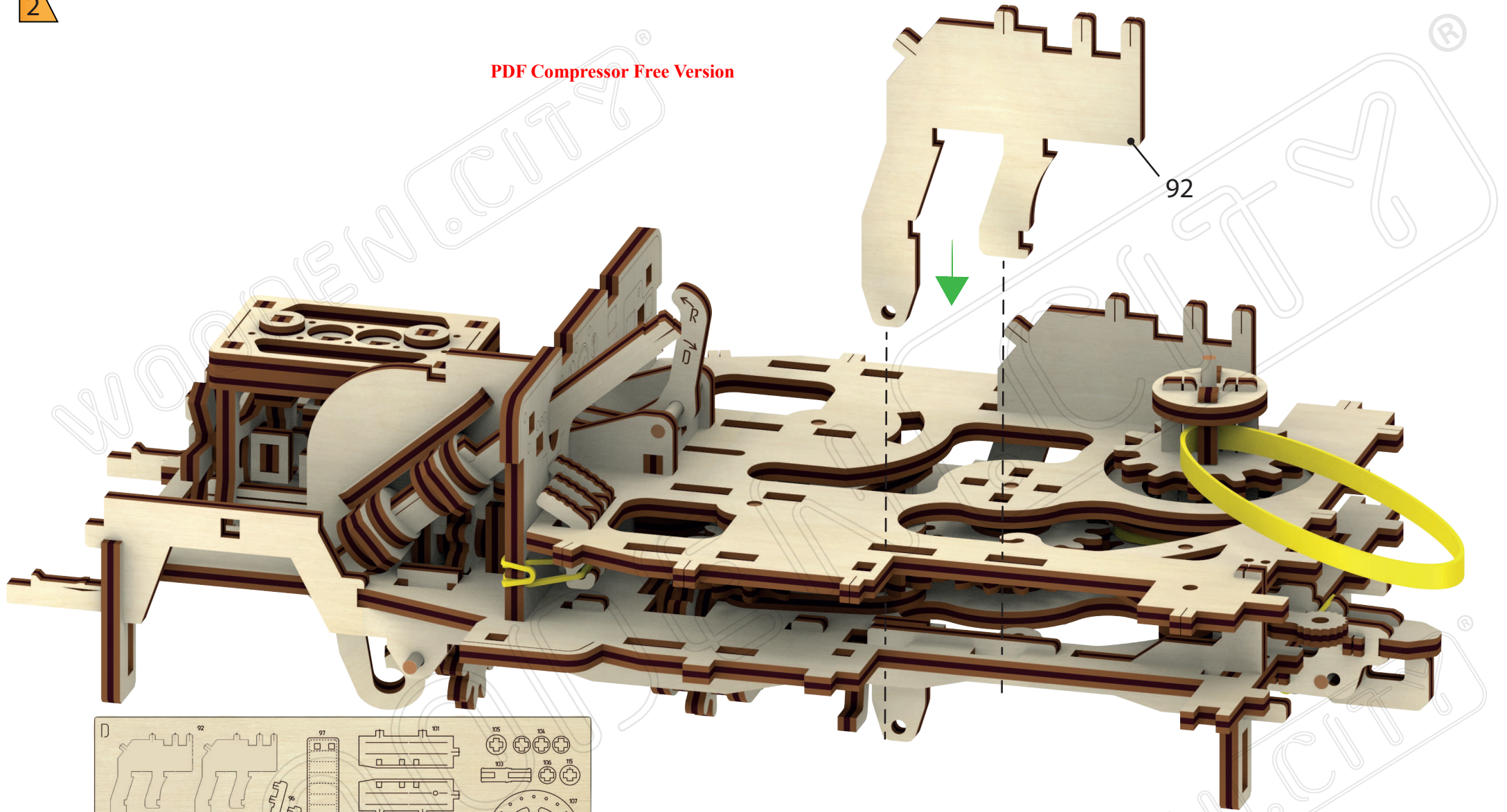
PDF Compressor Free Version

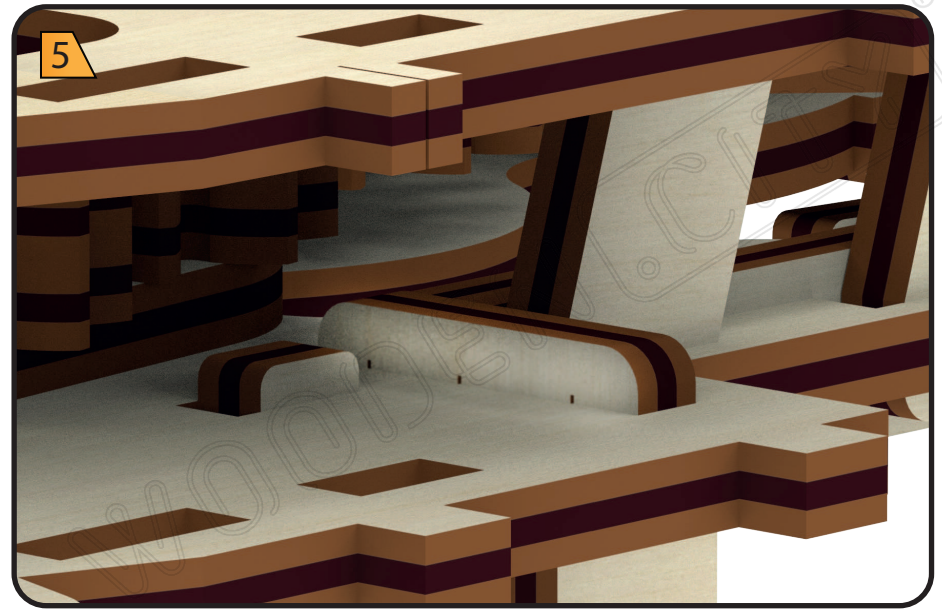
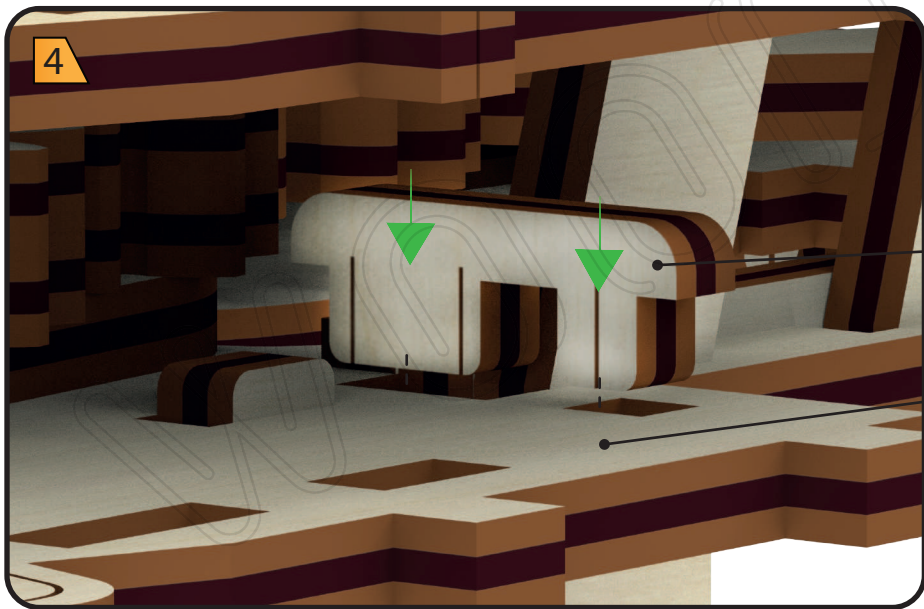
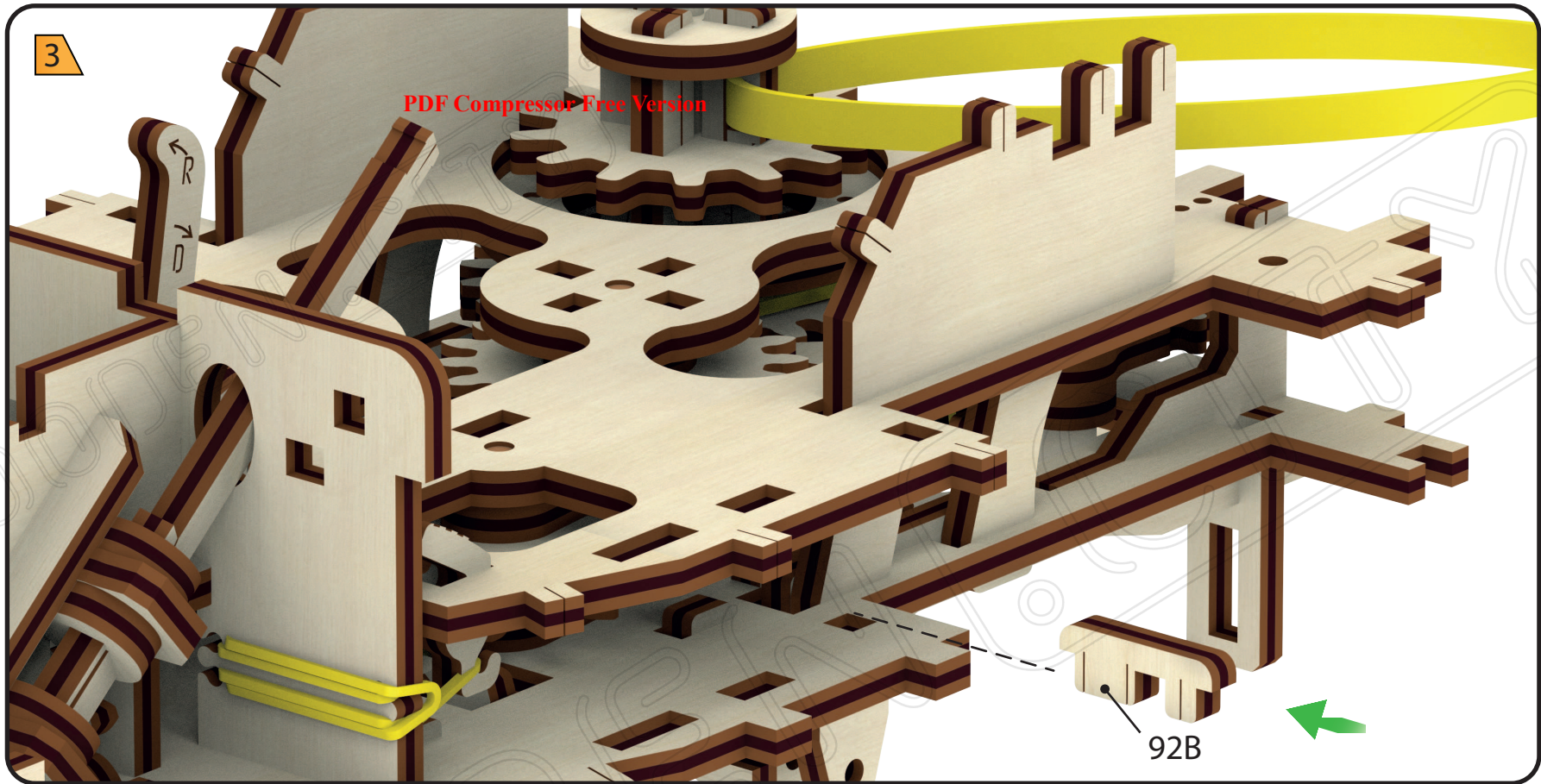


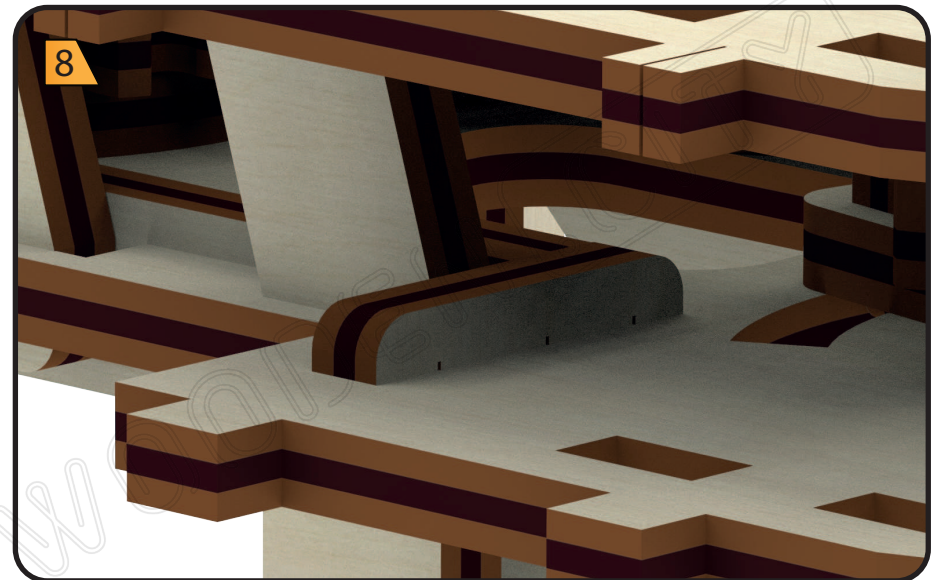
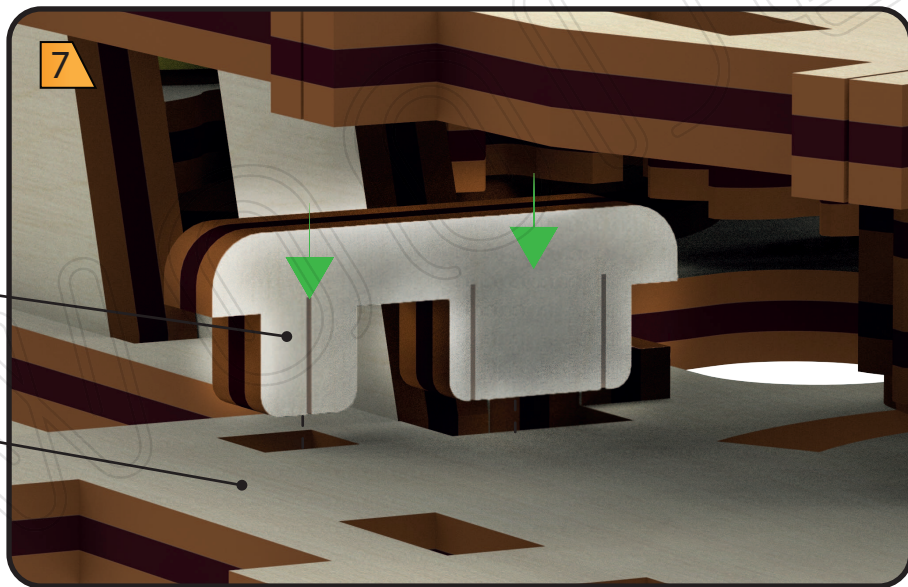
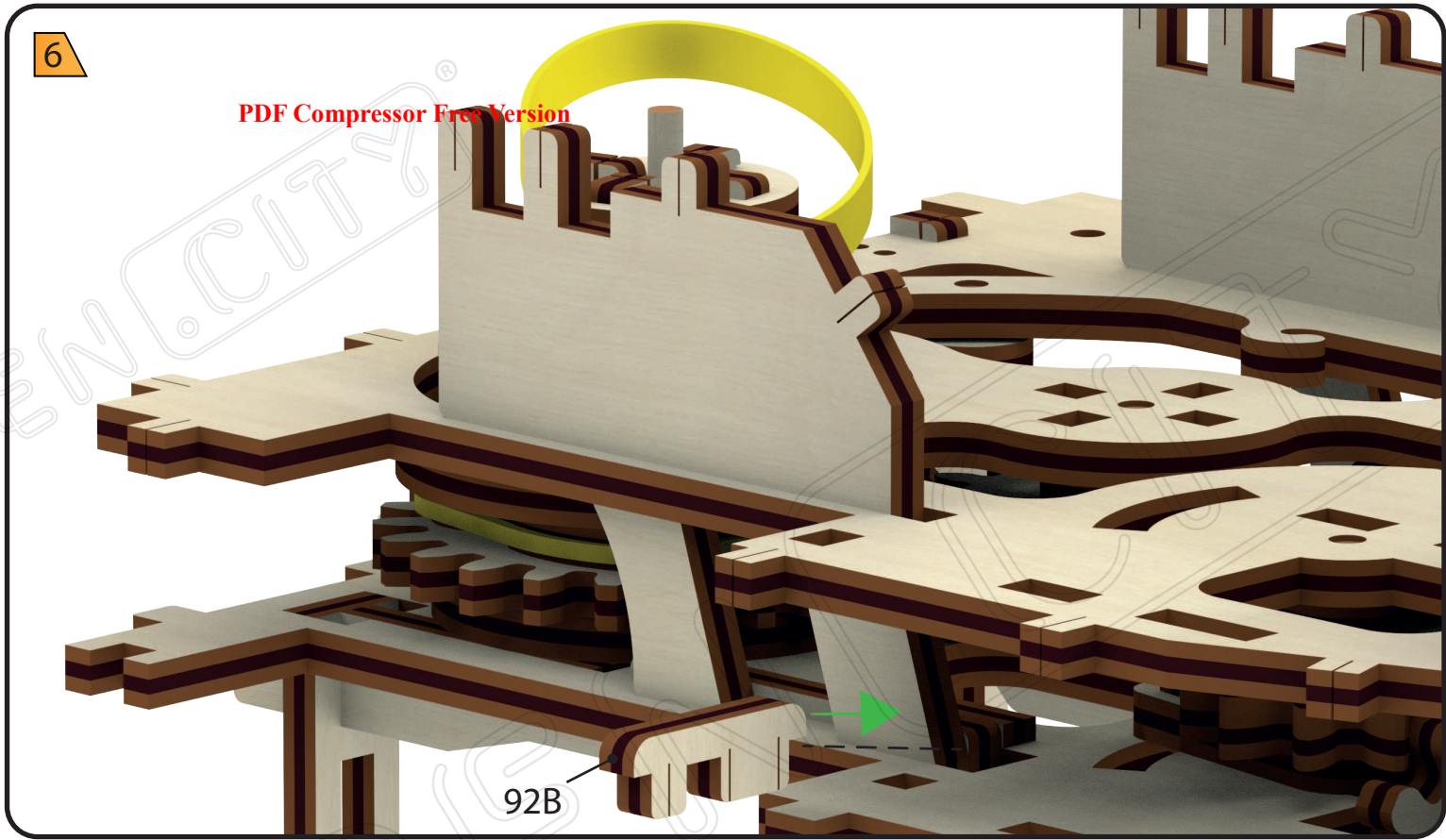
1

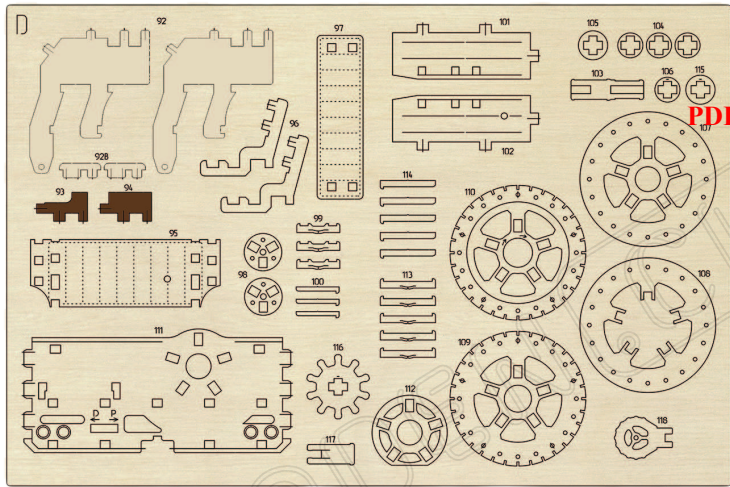


PDF Compressor Free Version

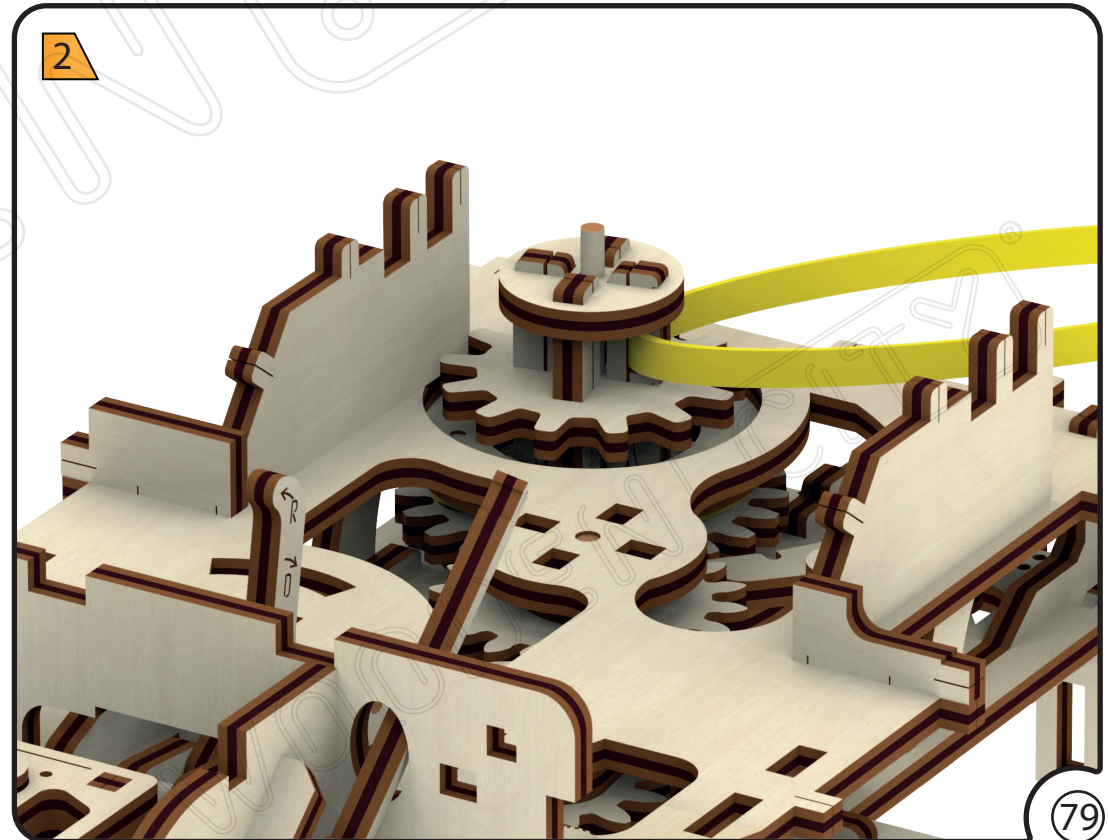
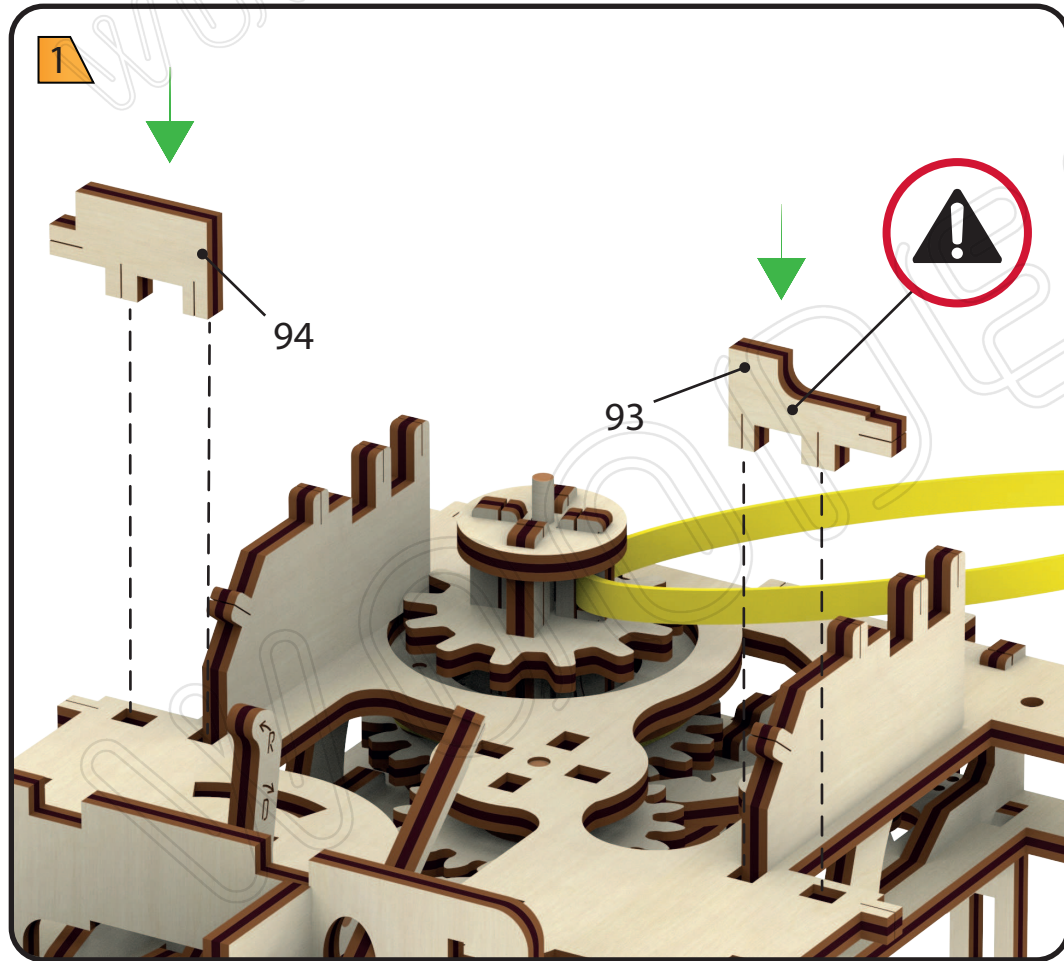


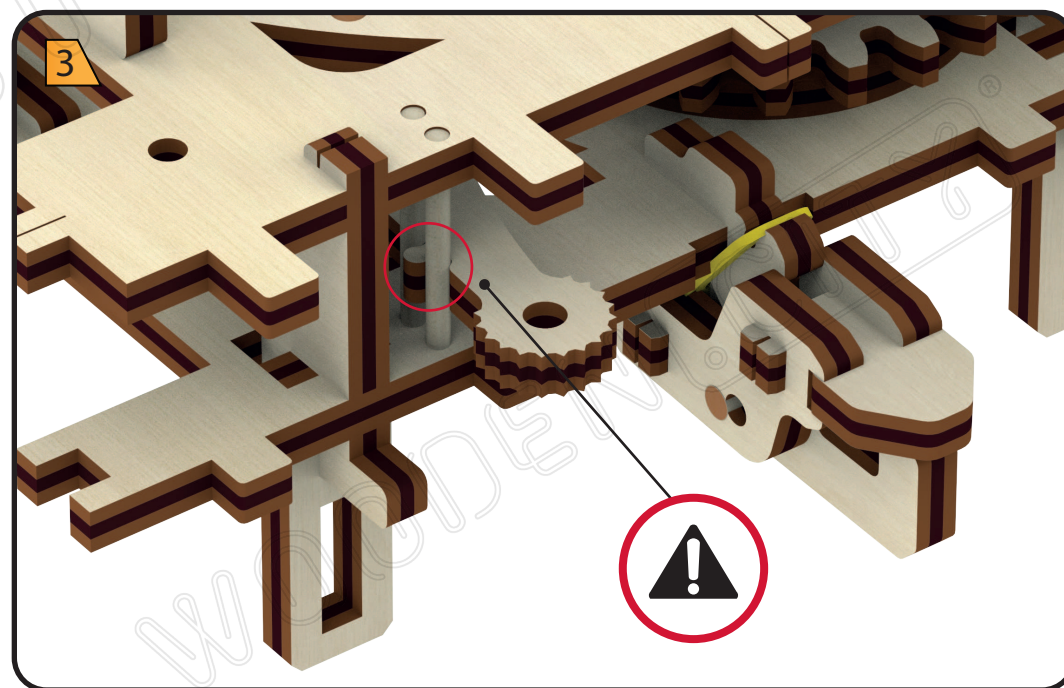
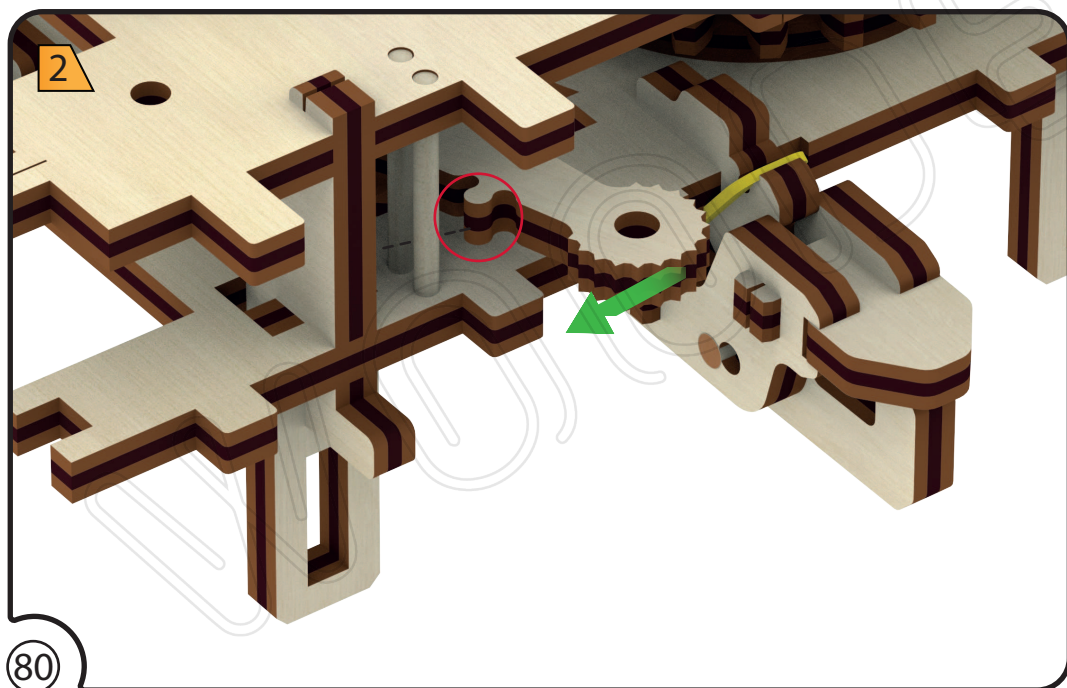
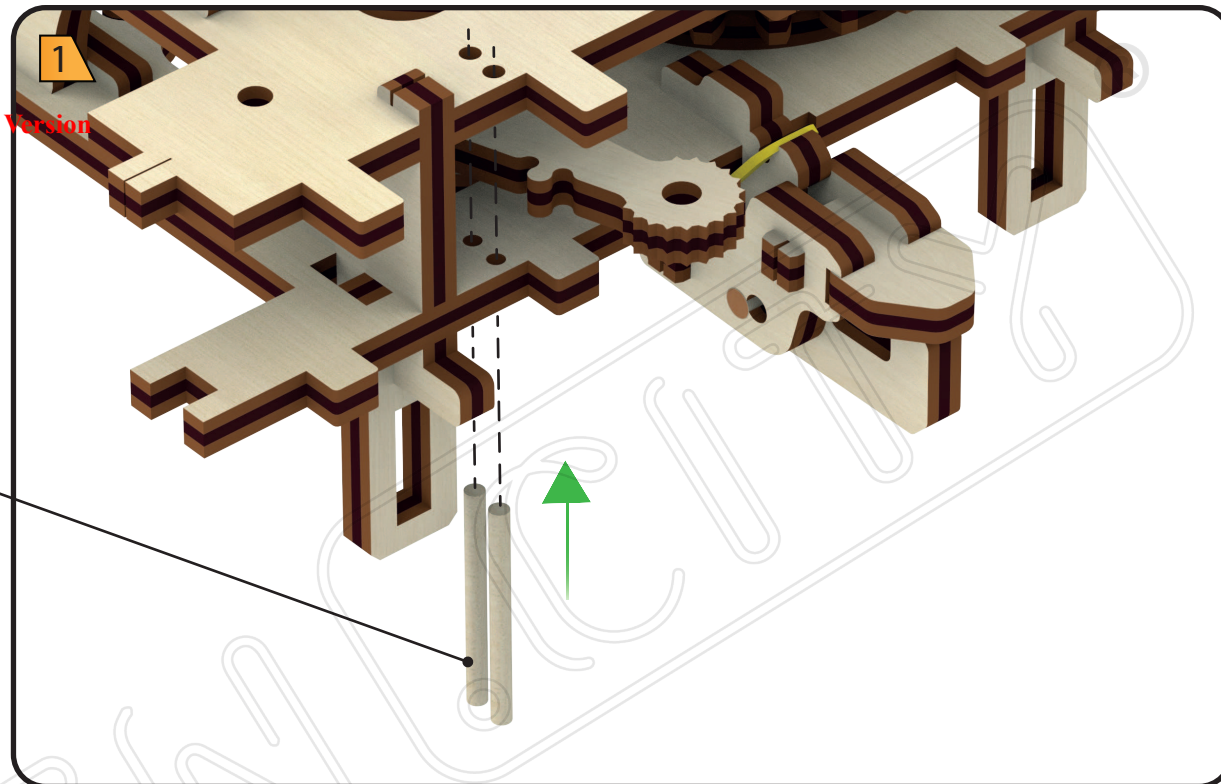
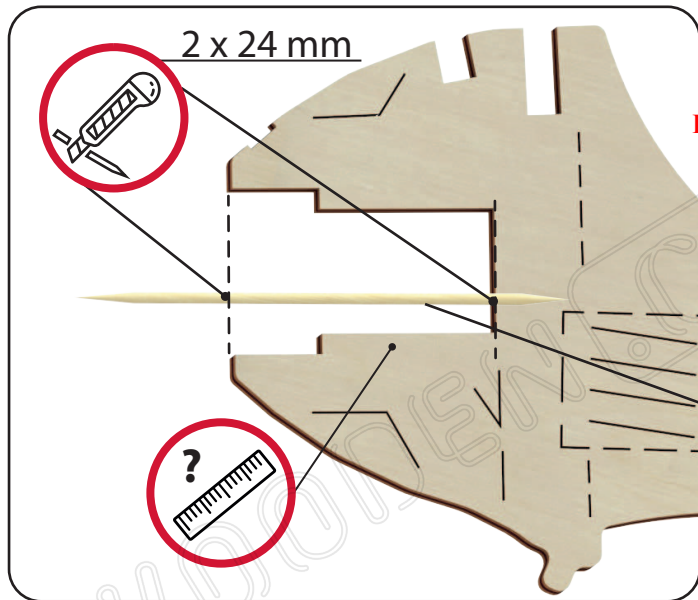


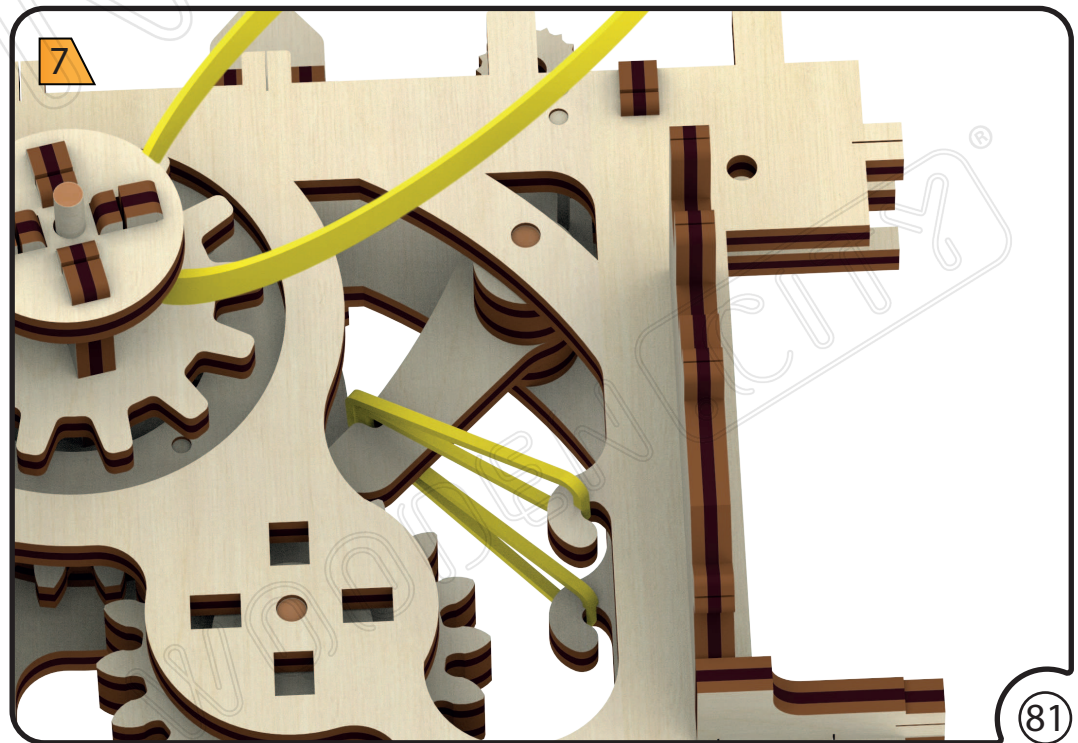
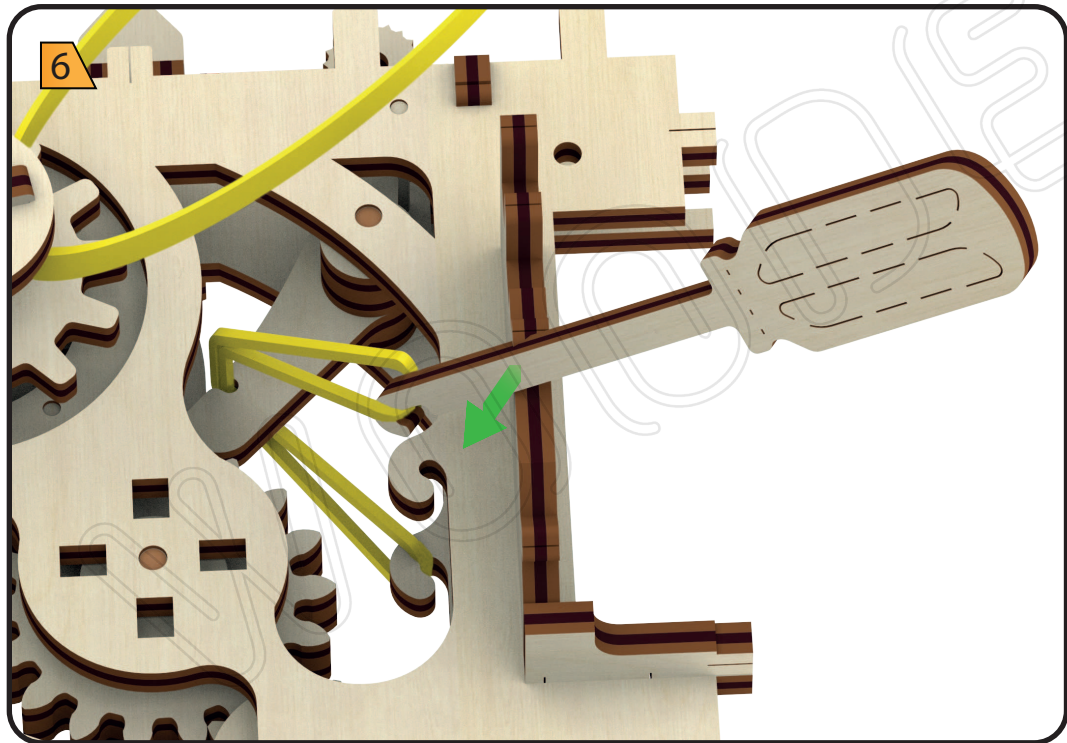
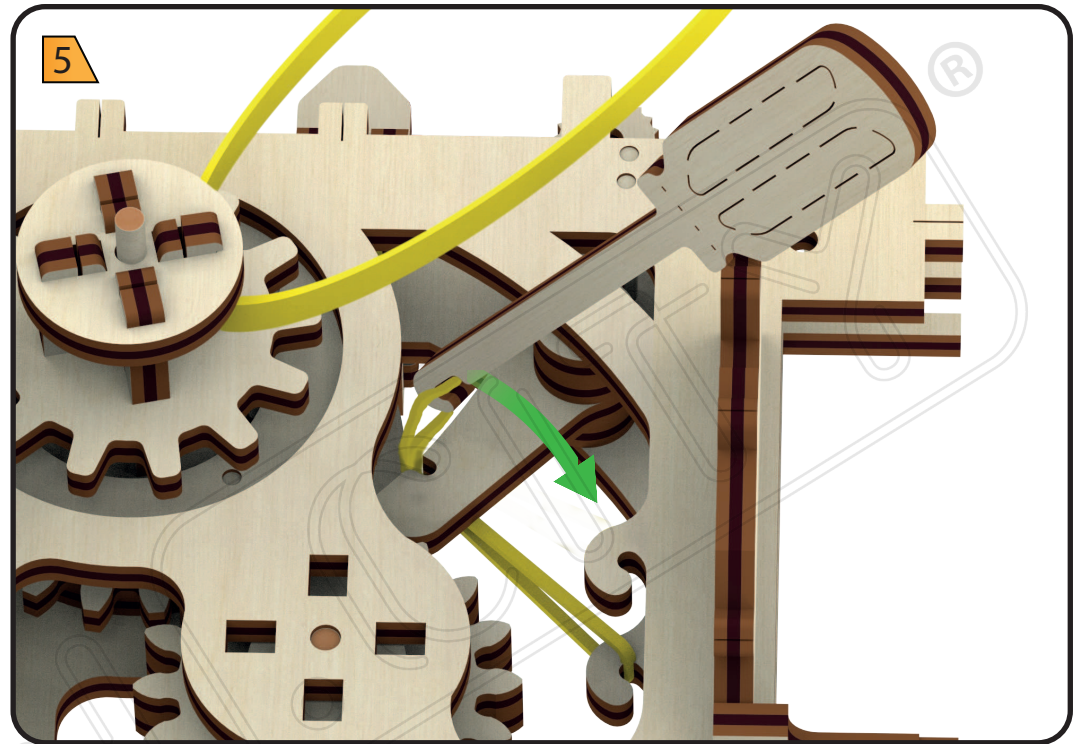
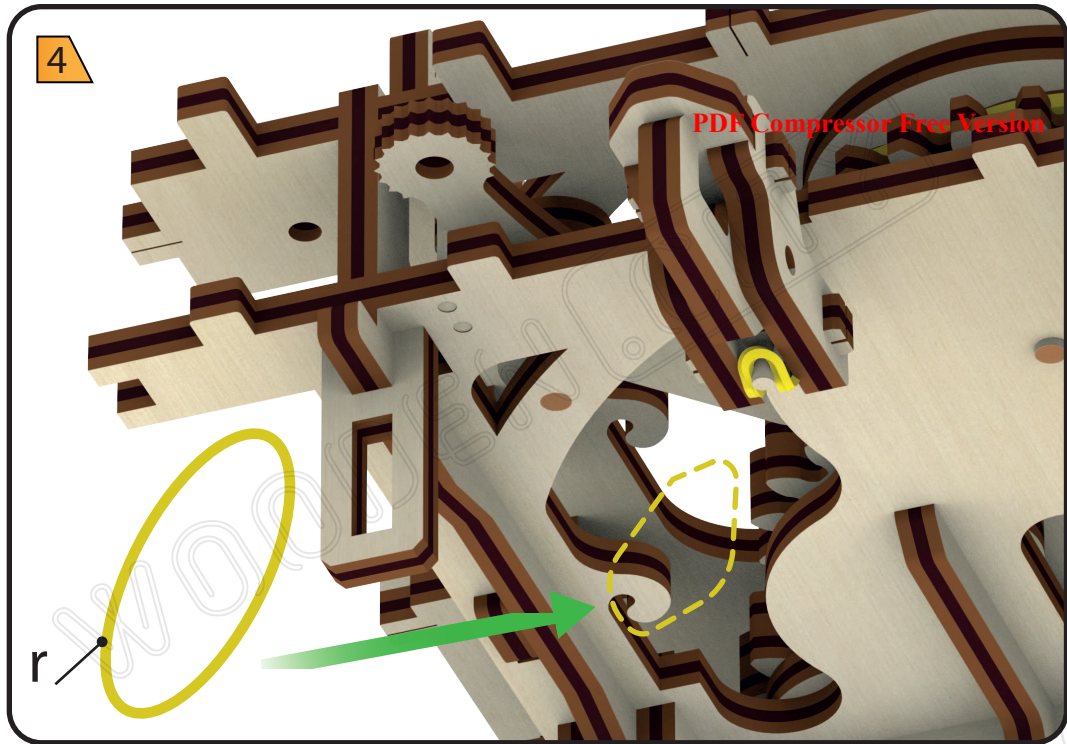


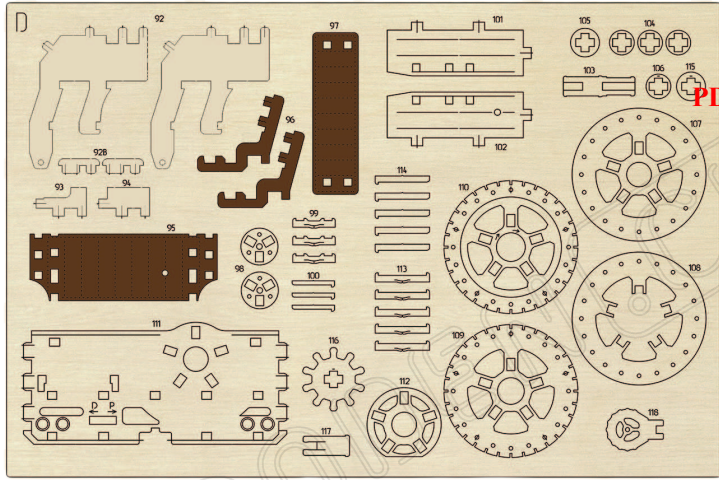


PDF Compressor Free Version



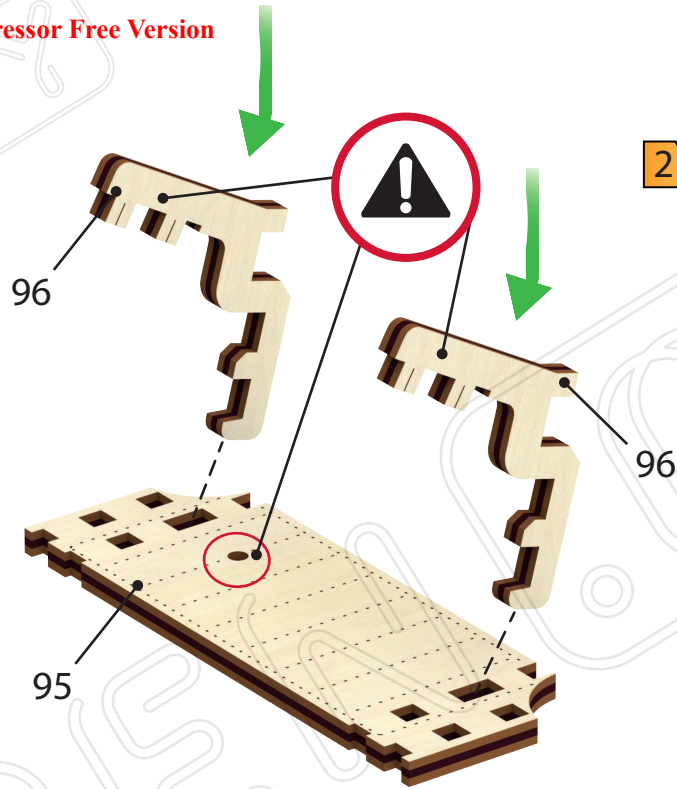




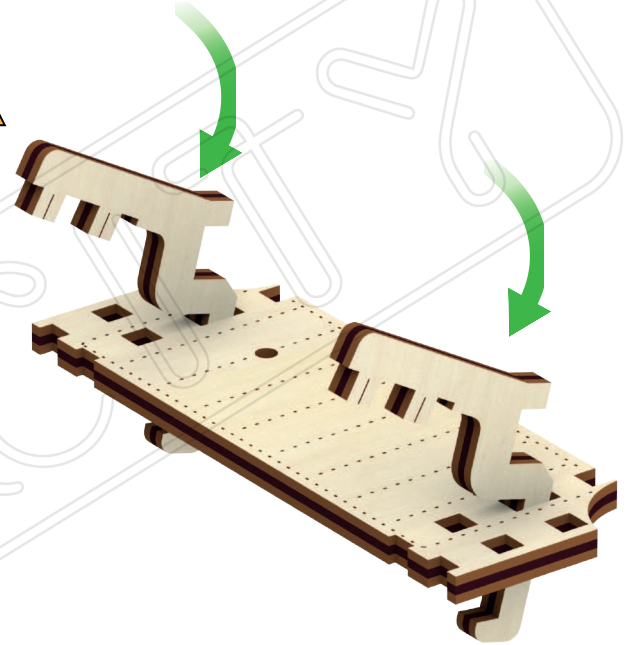


PDF Compressor Free Version

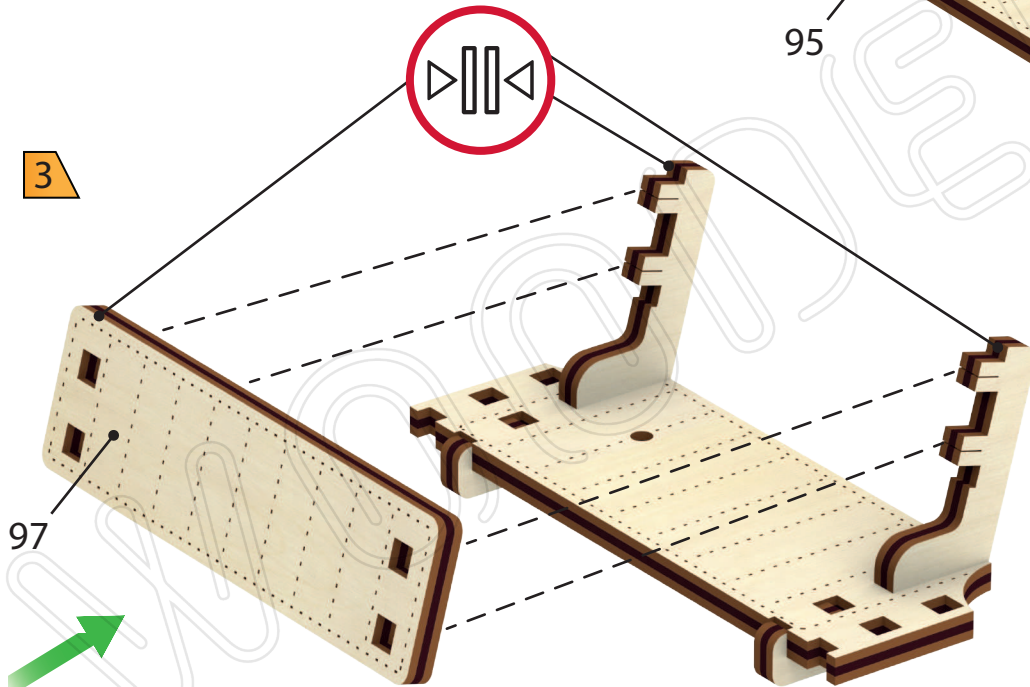
1



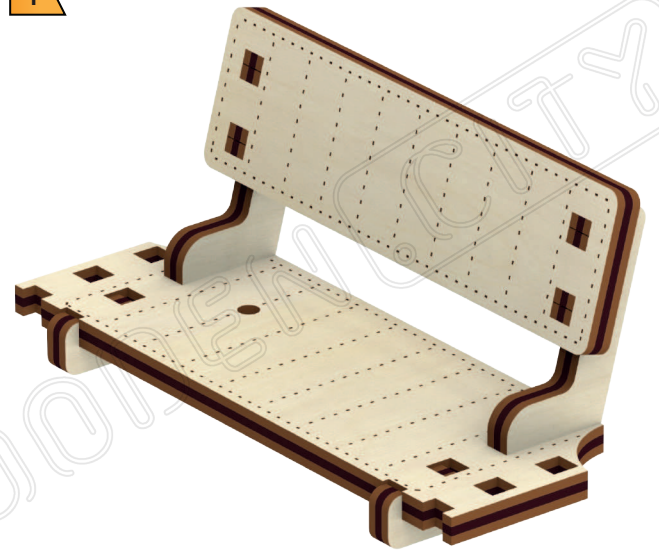
2



3

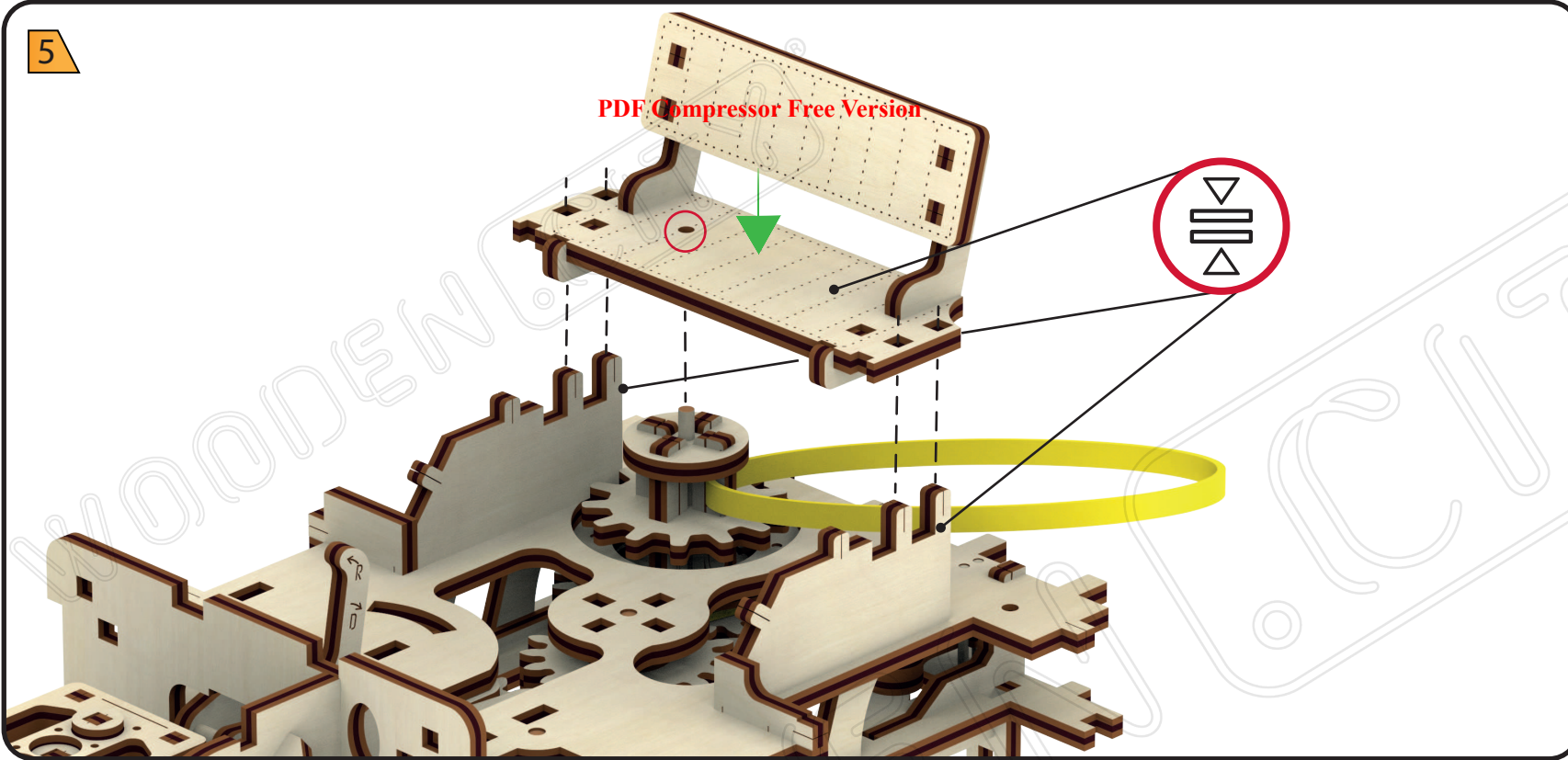


4

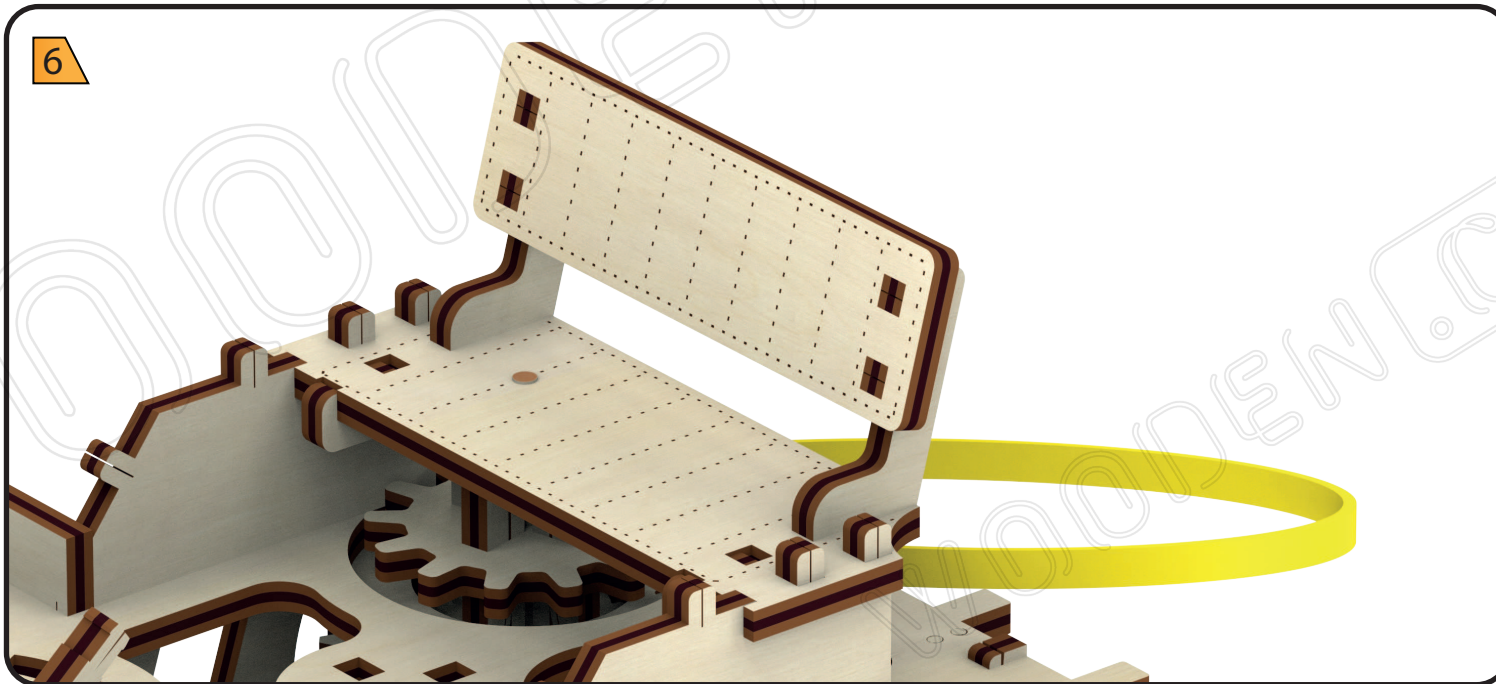


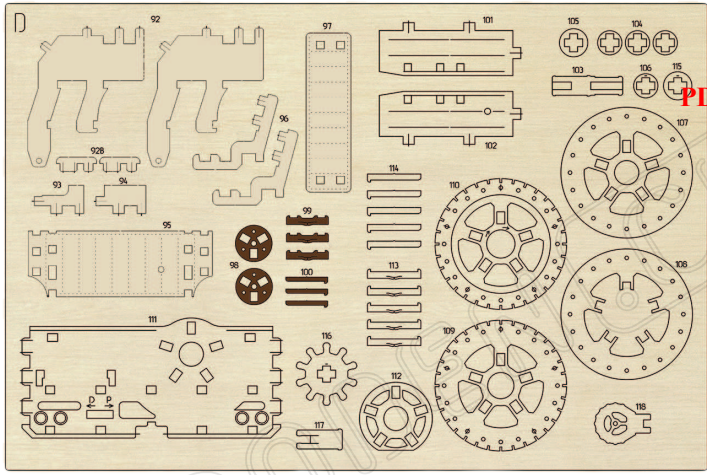
5

PDF Compressor Free Version



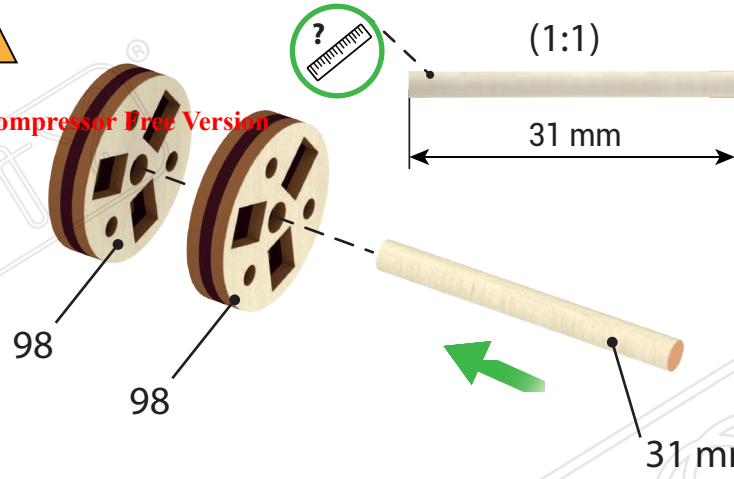
6



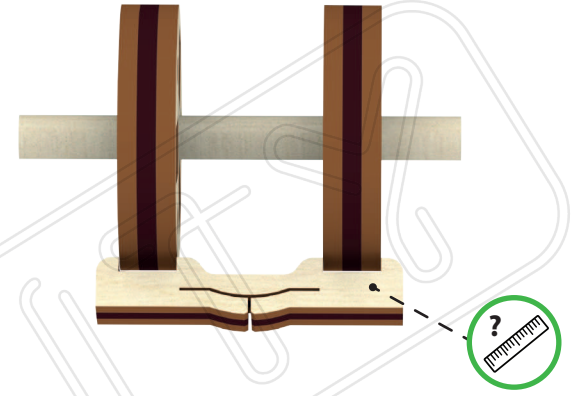


1

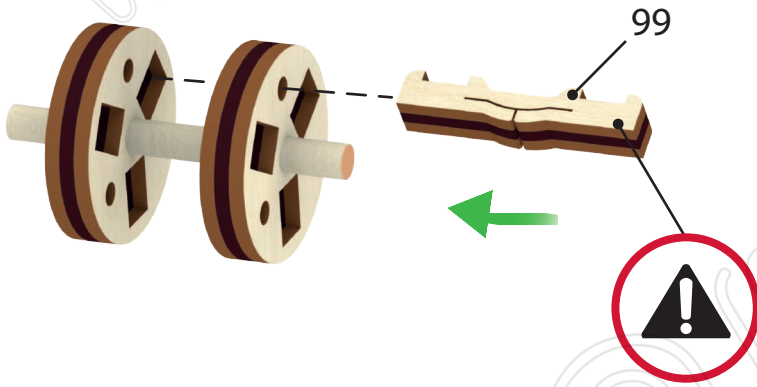
PDF Compressor Free Version



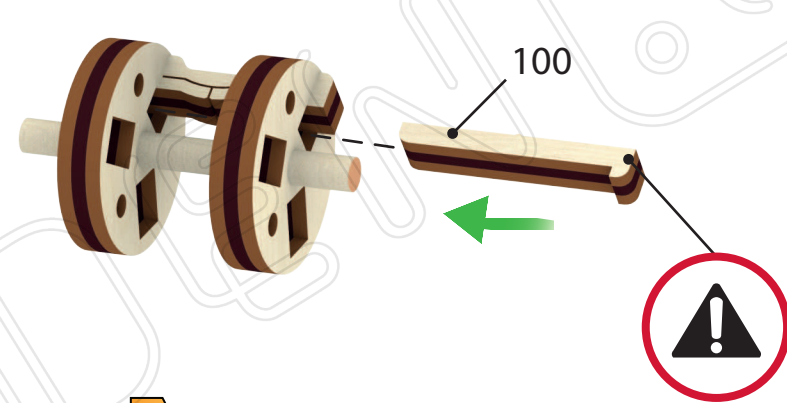
2



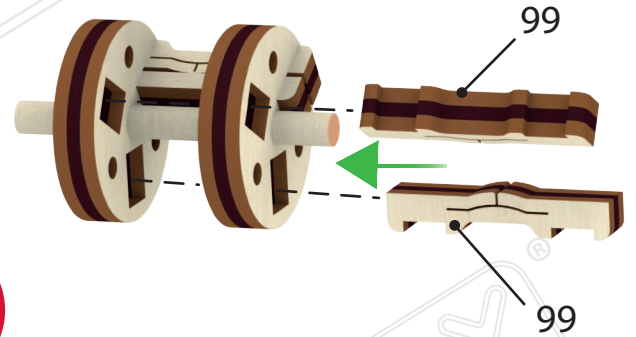
3



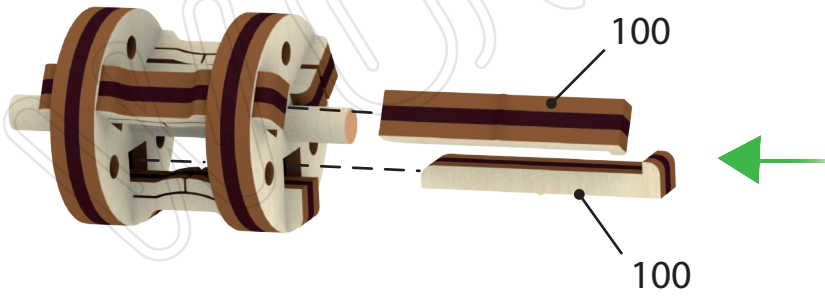
4



5



6



7

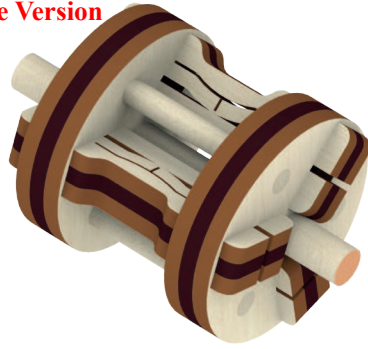


84

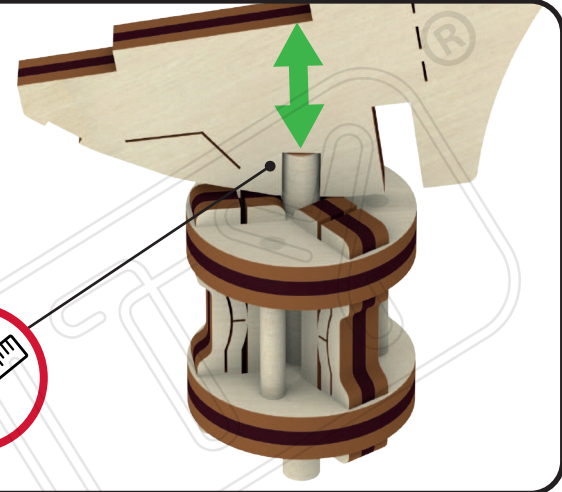
8



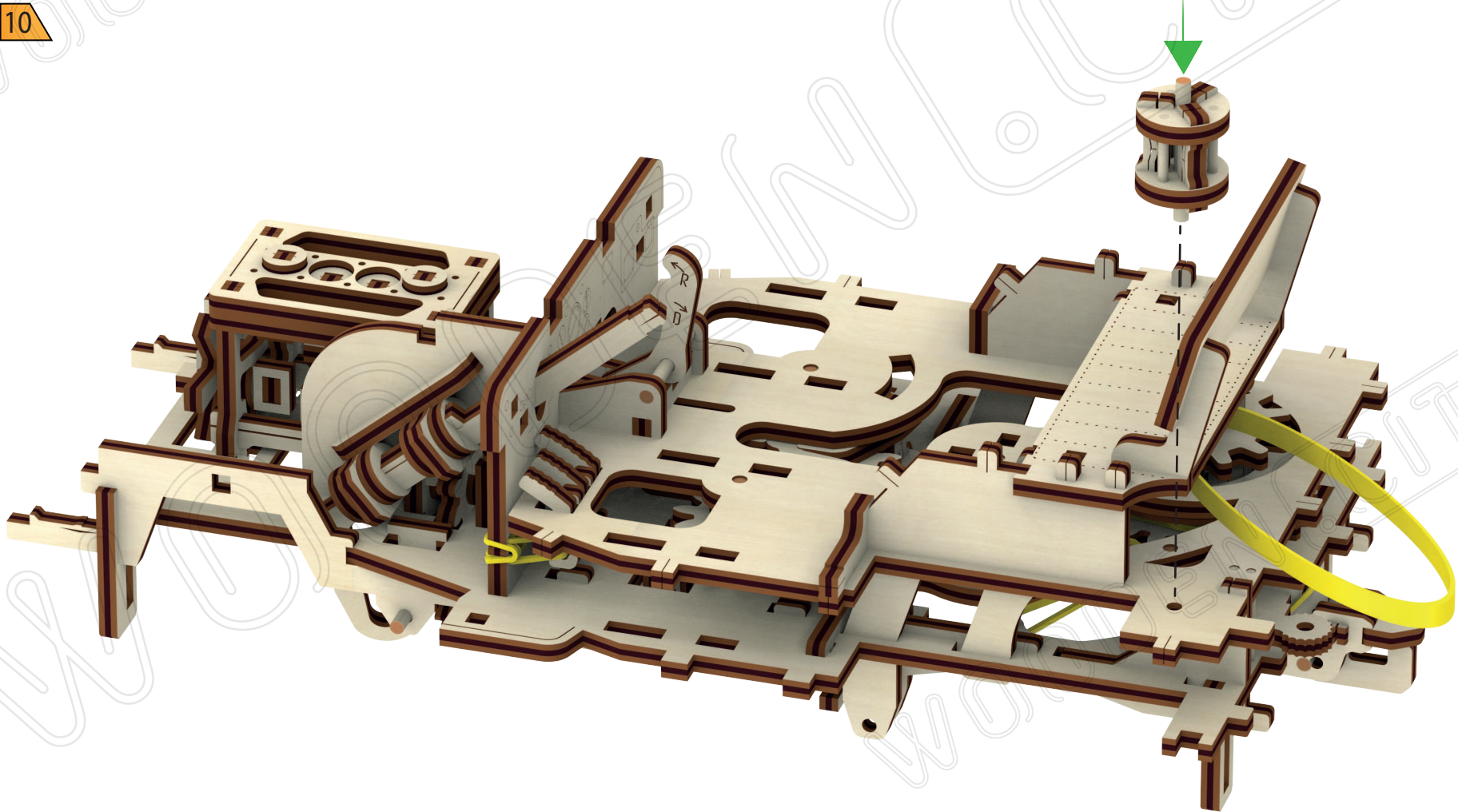
RF Compressor Free Version

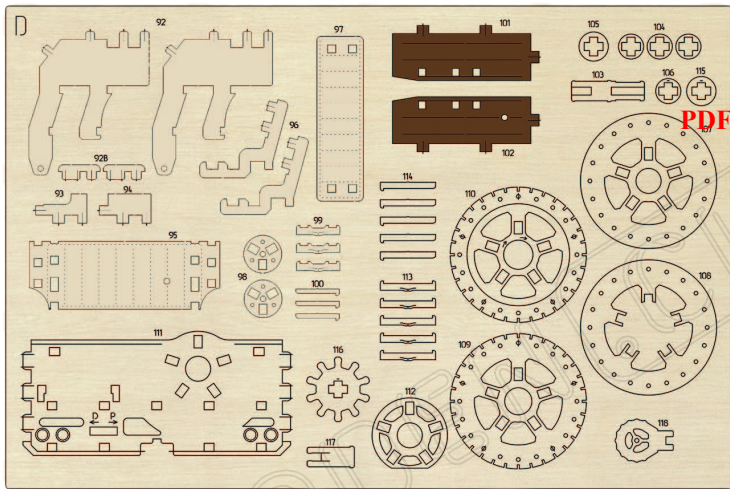


9

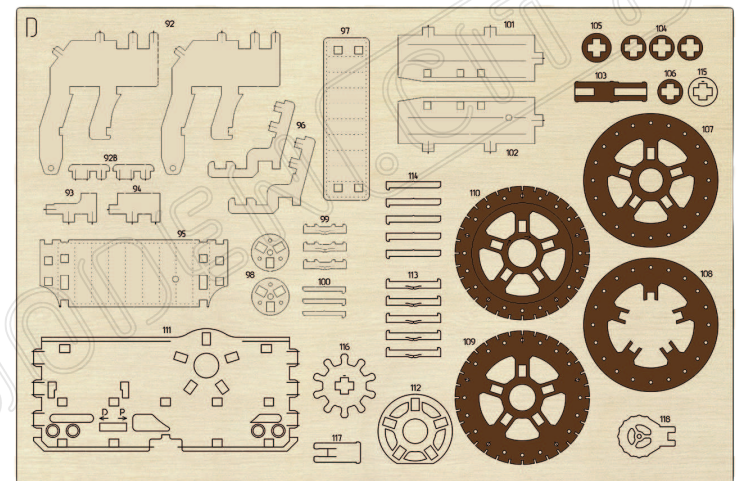
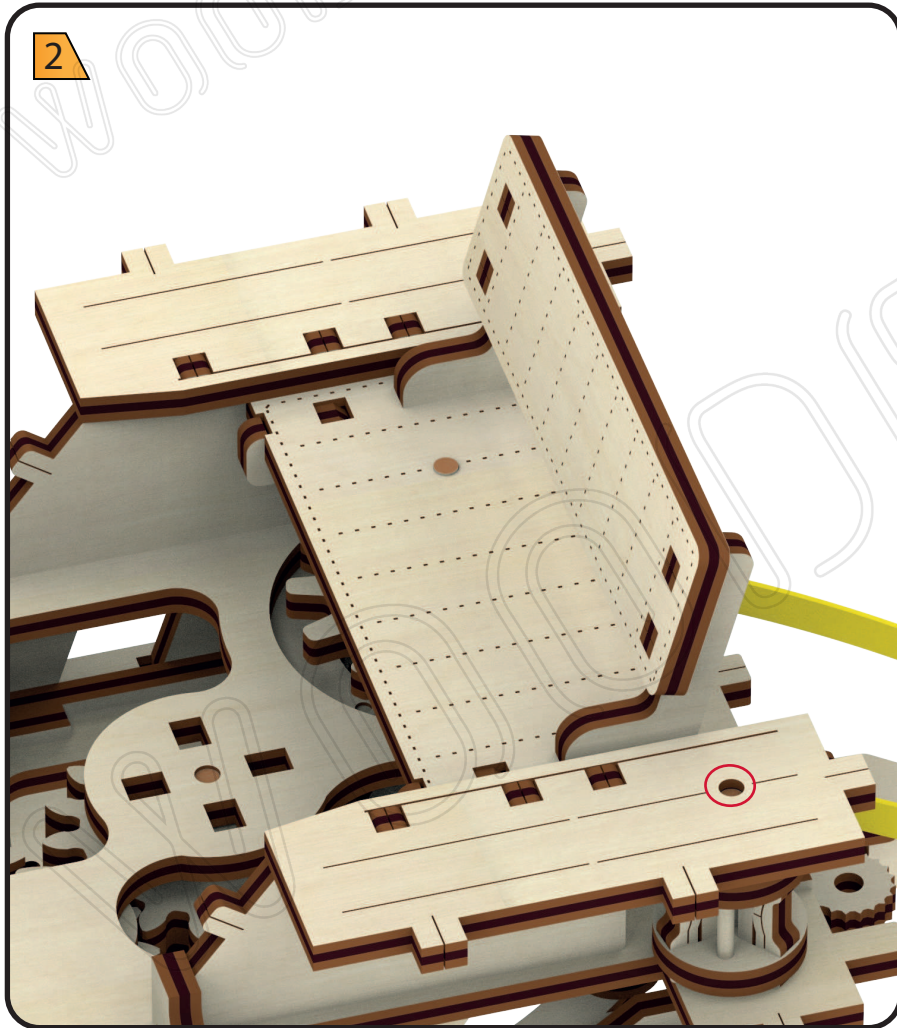
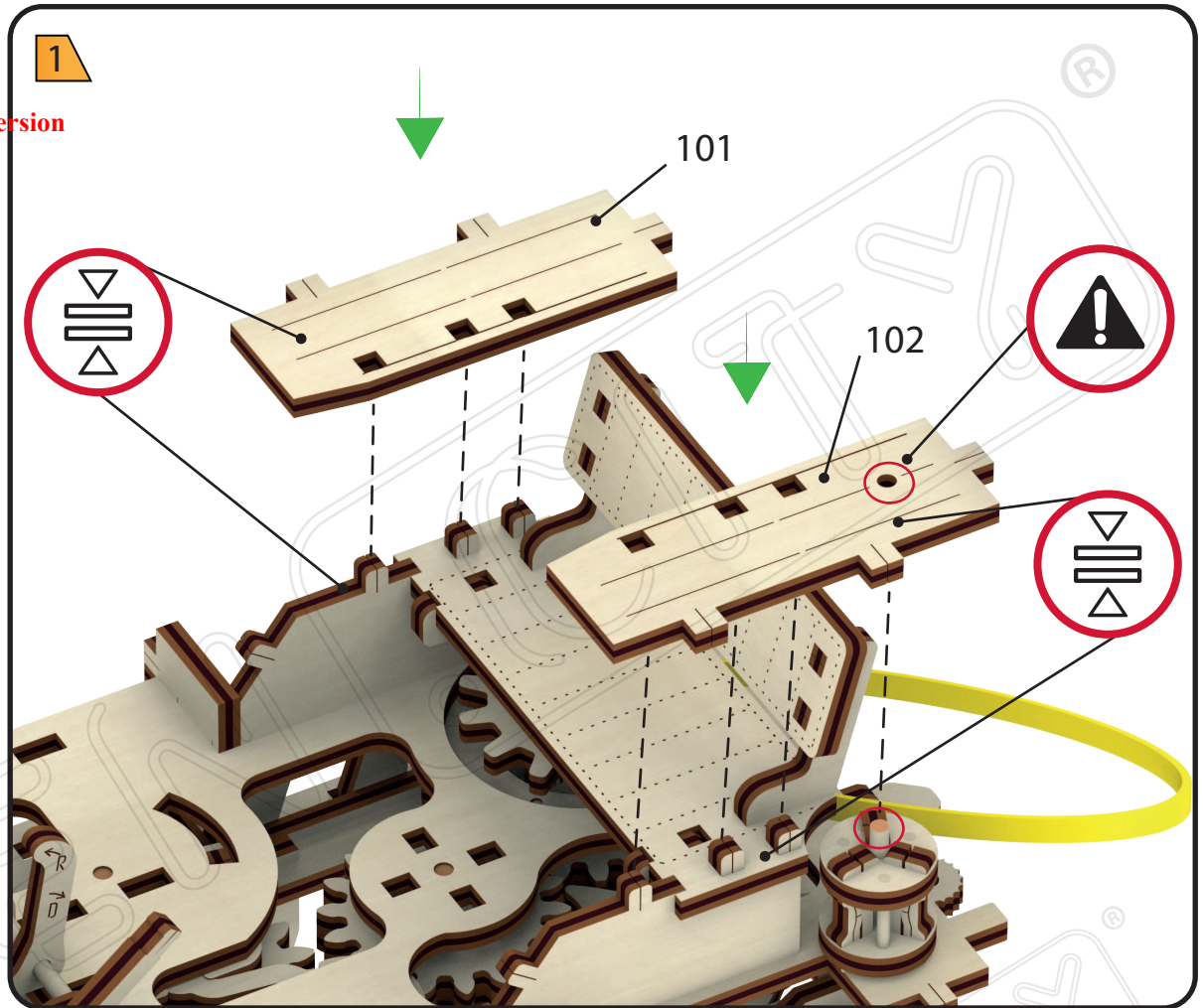


10

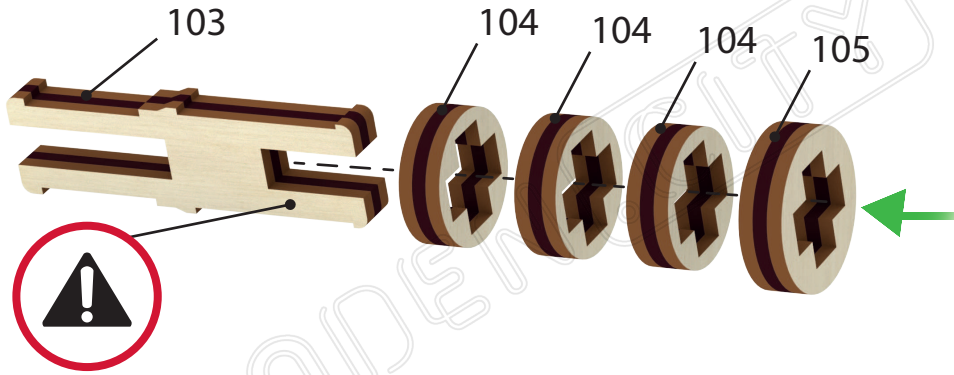




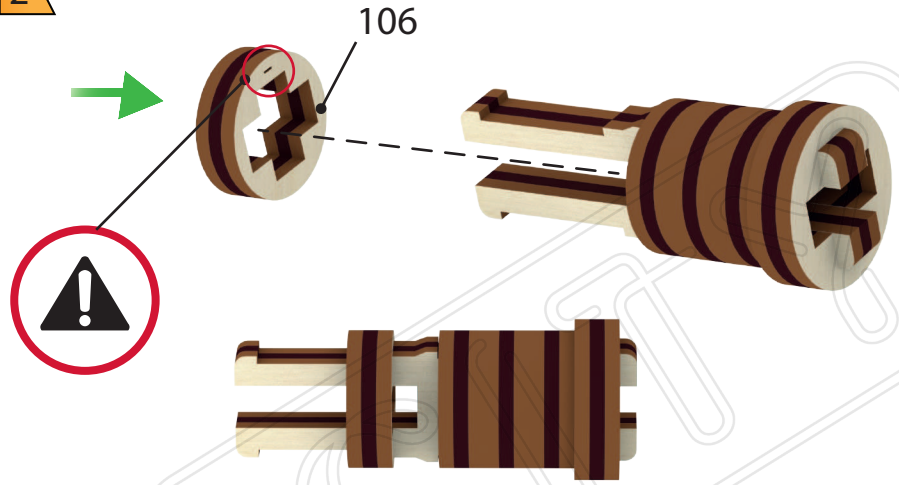
PDF Compressor Free Version



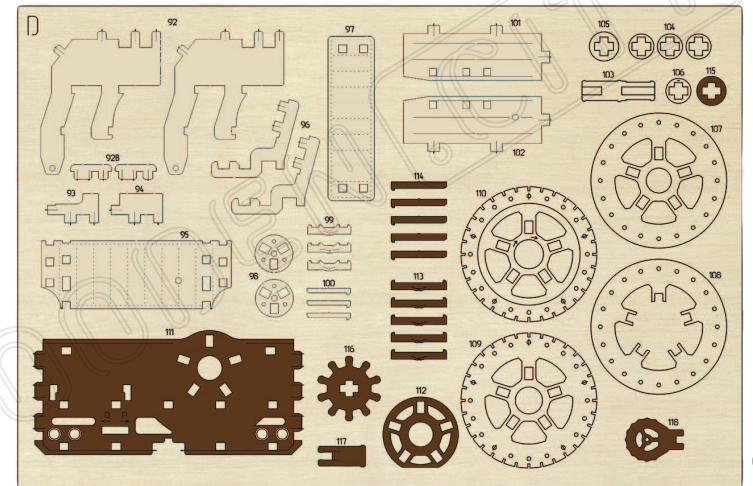
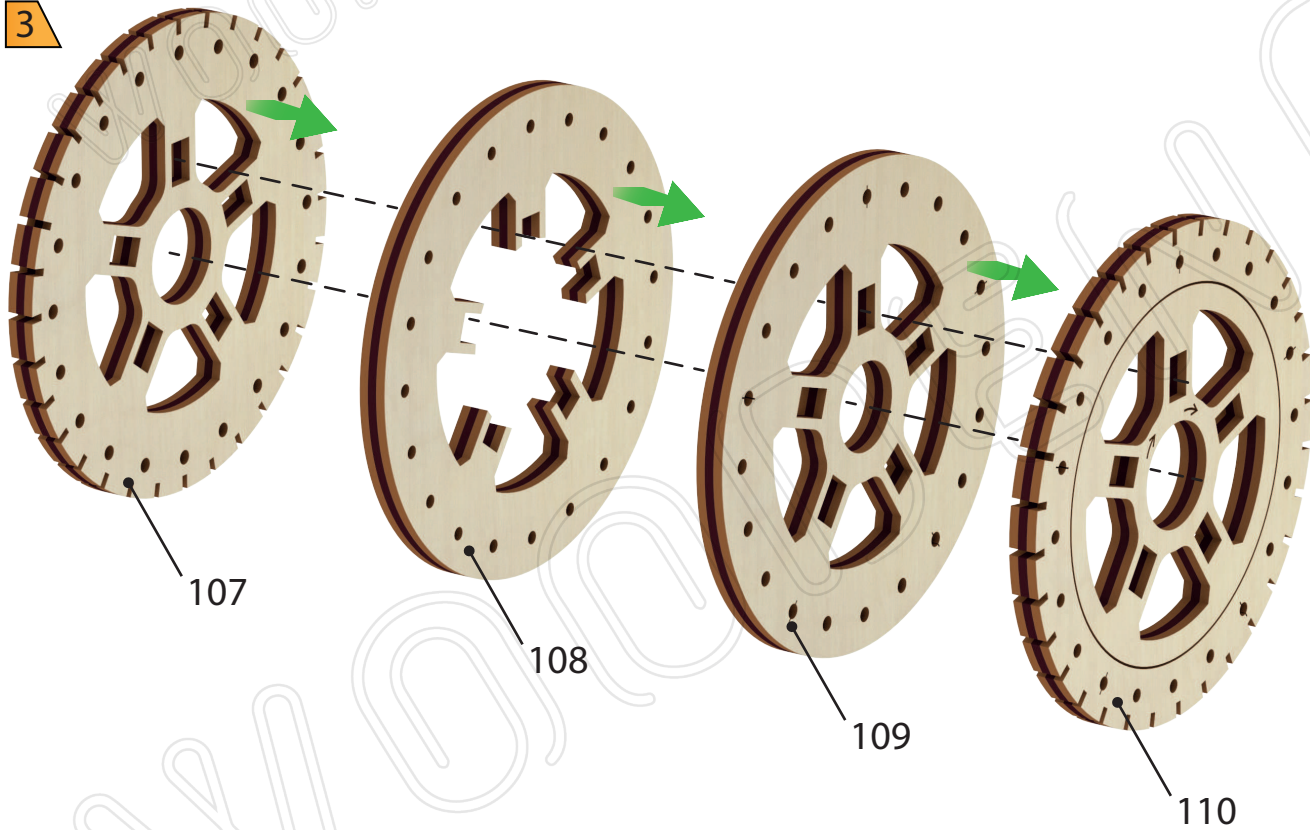
1

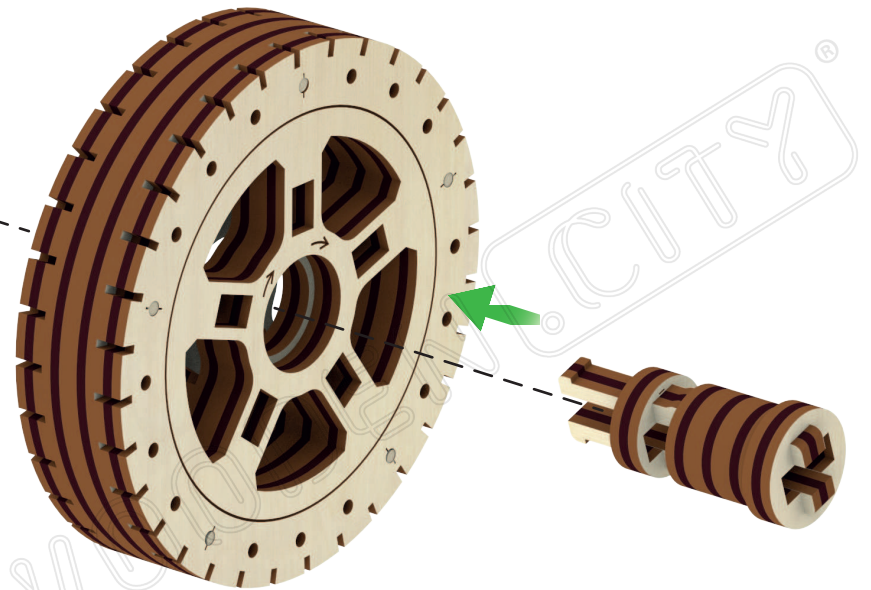
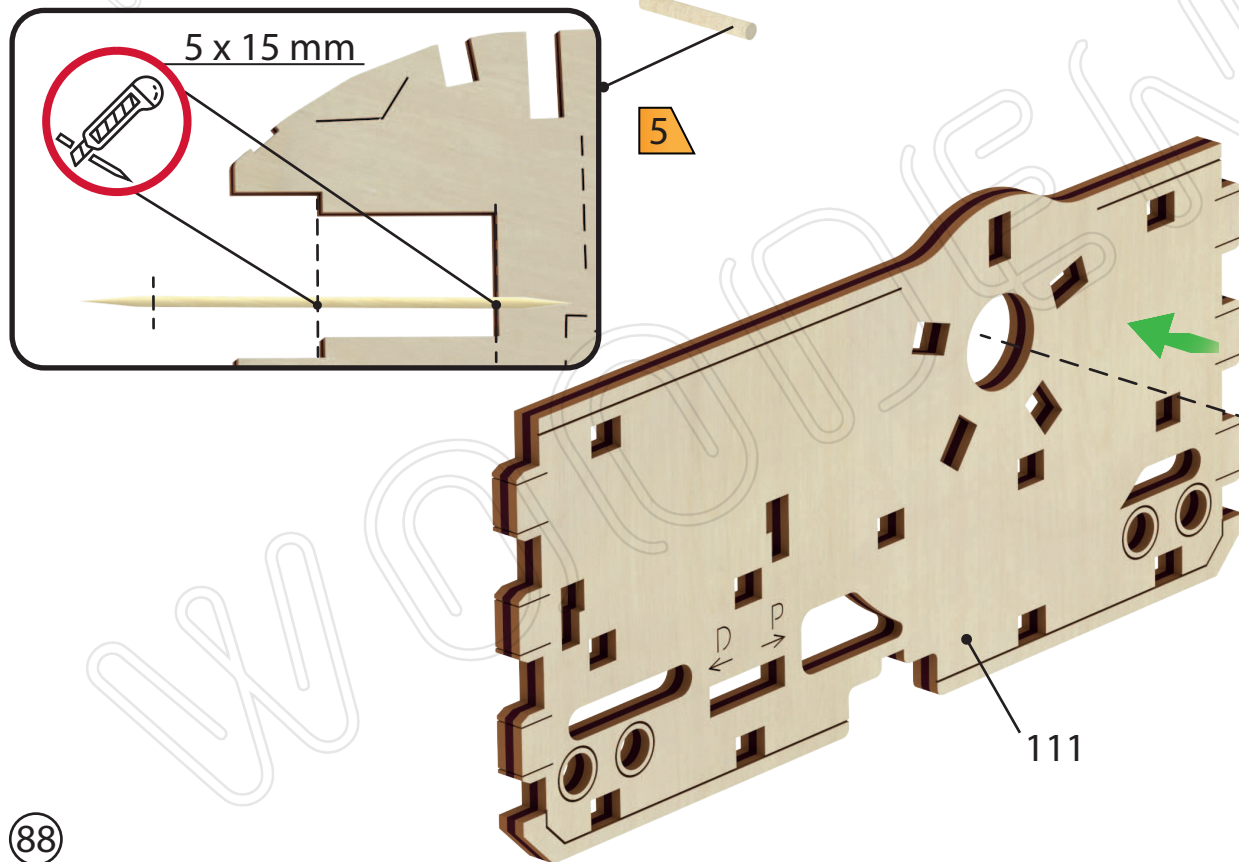
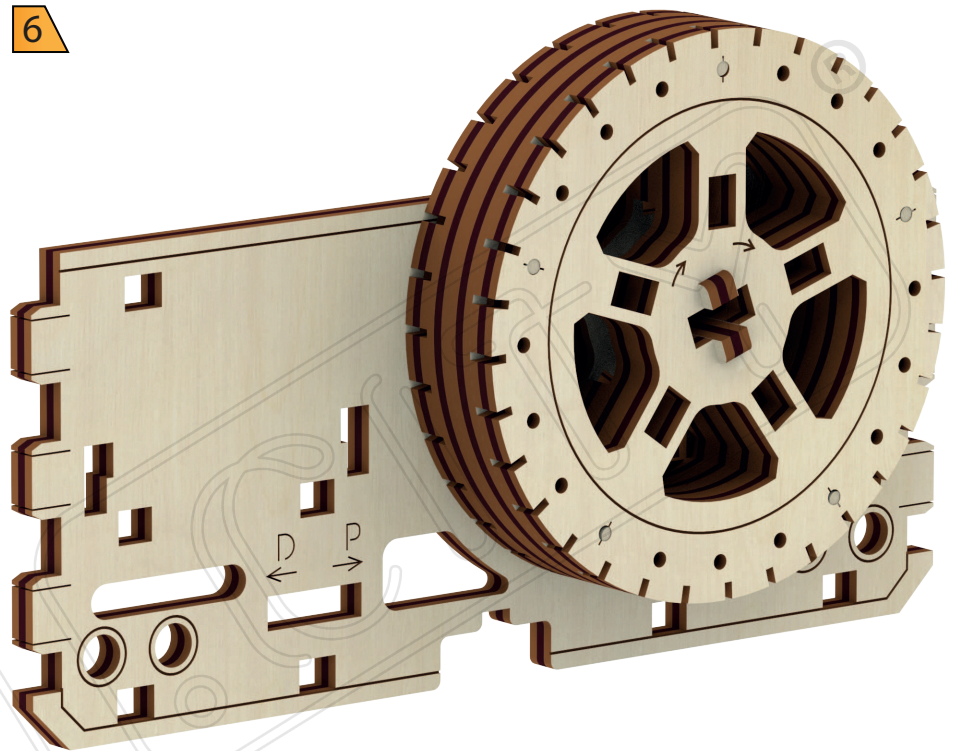
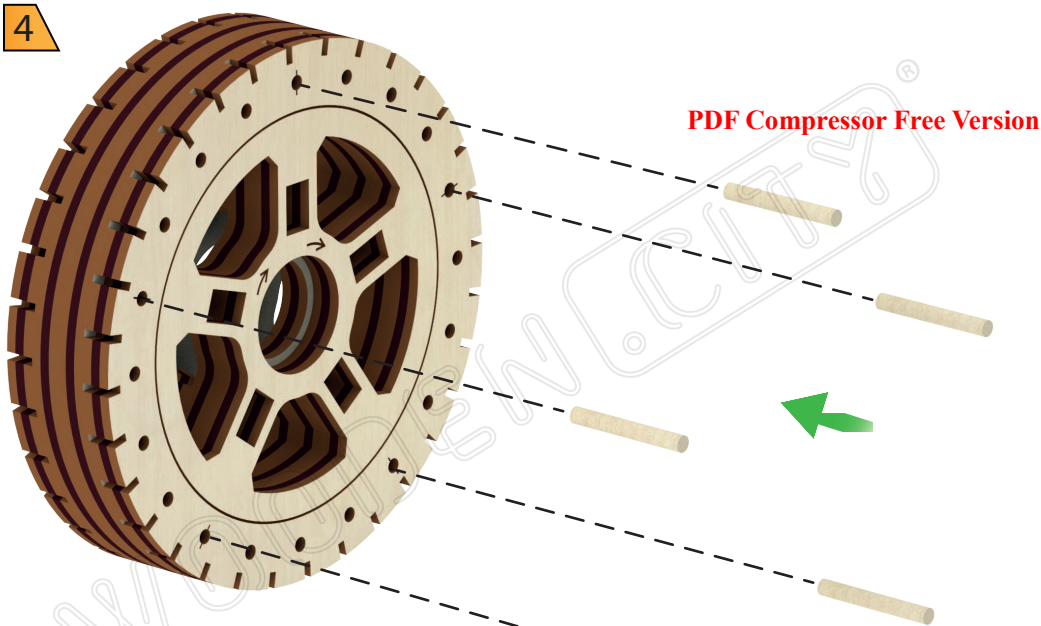


2

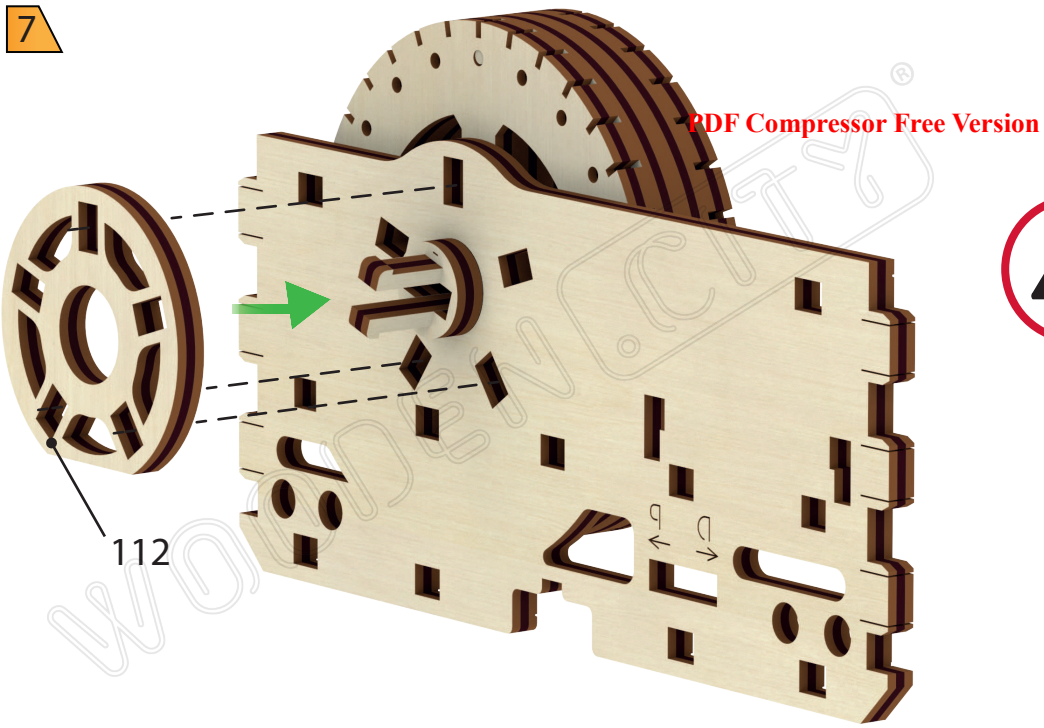


3

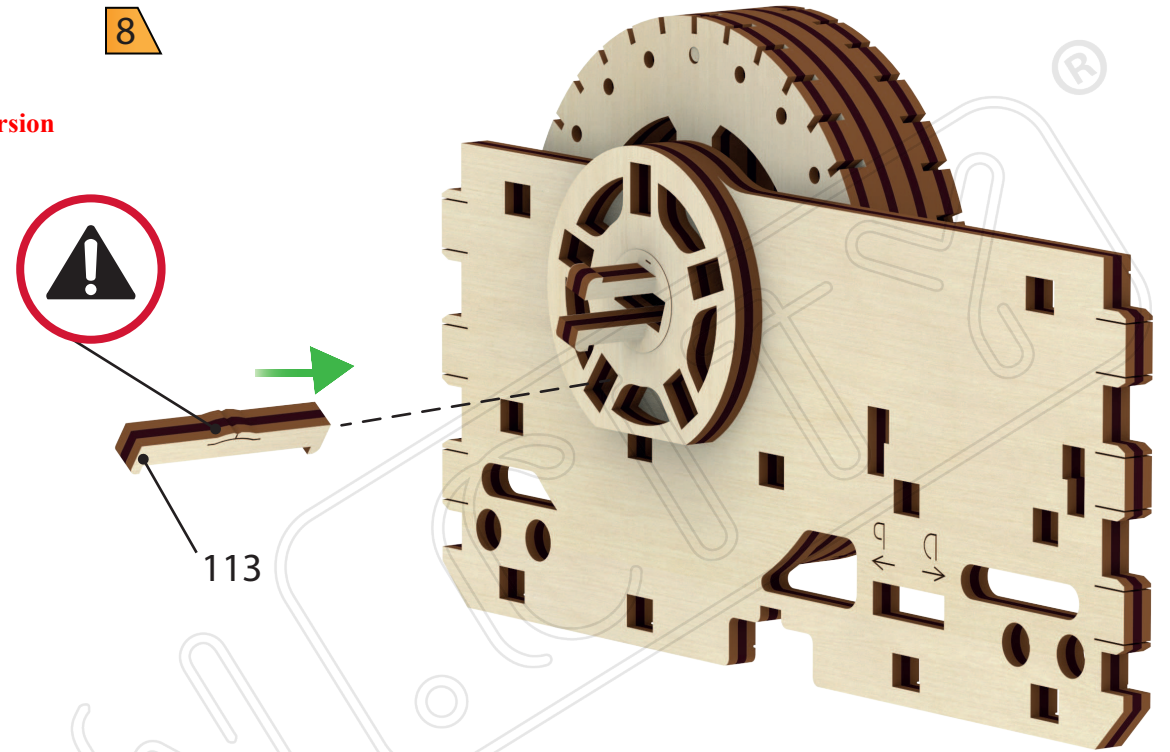




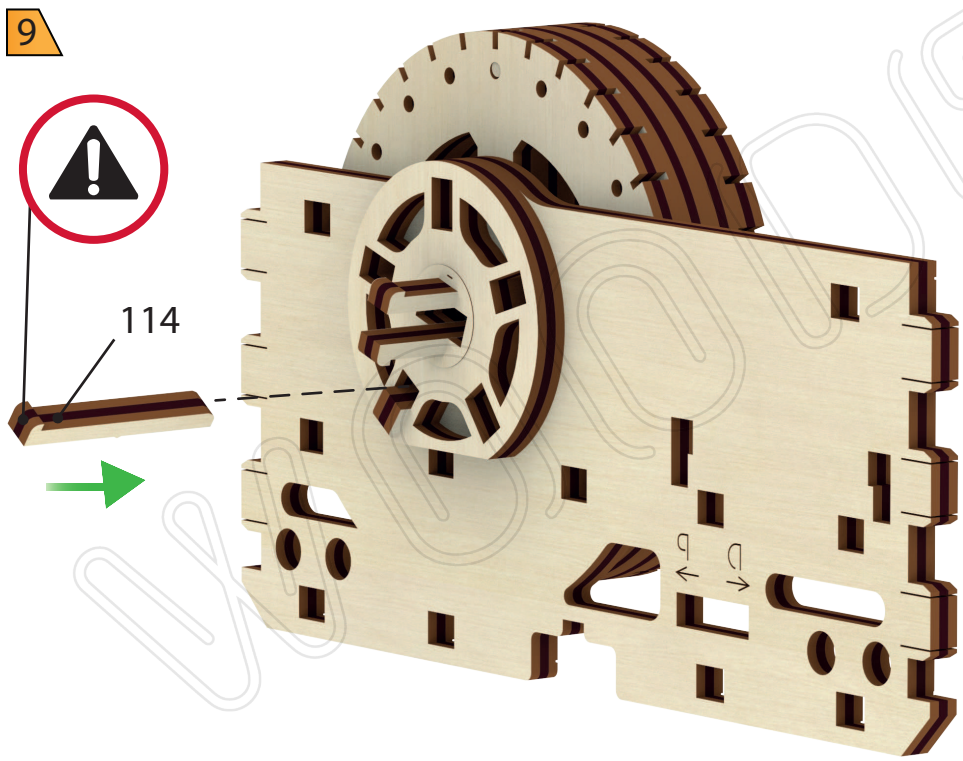
7



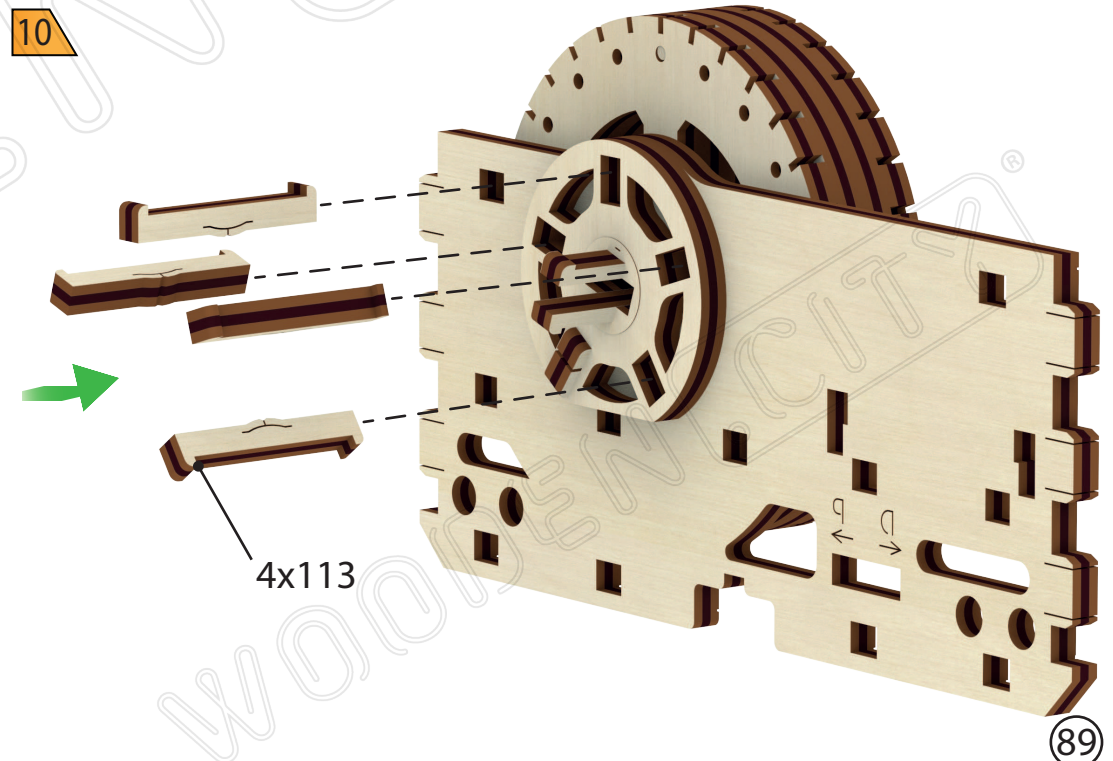
8



9

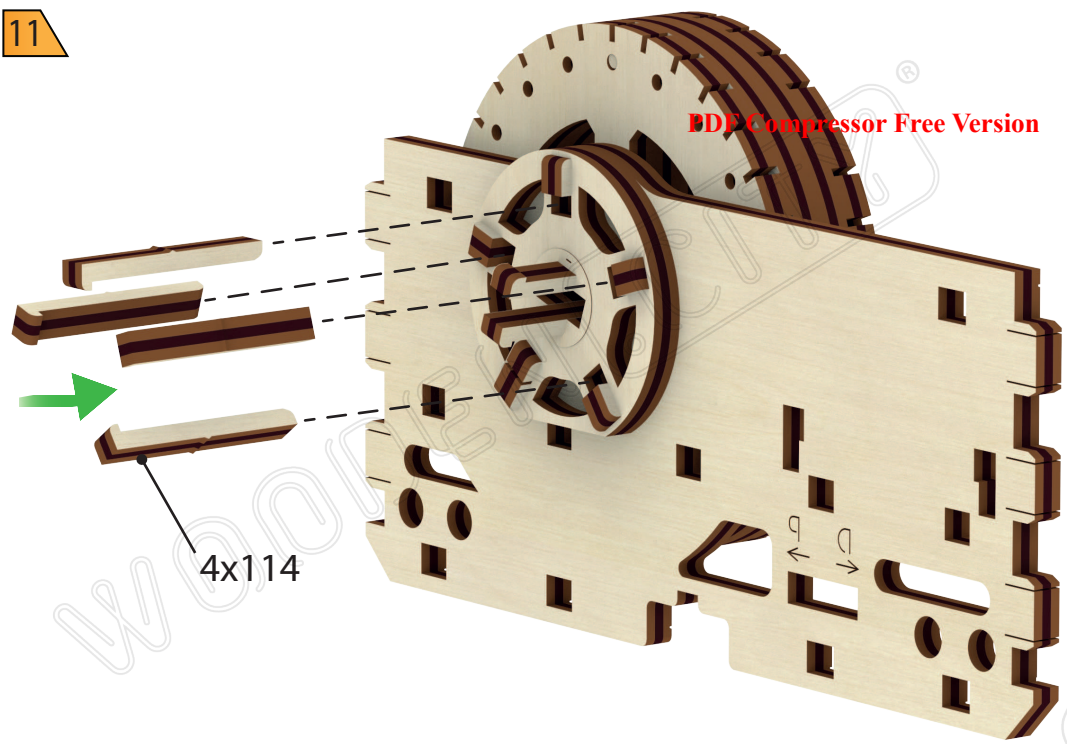


10

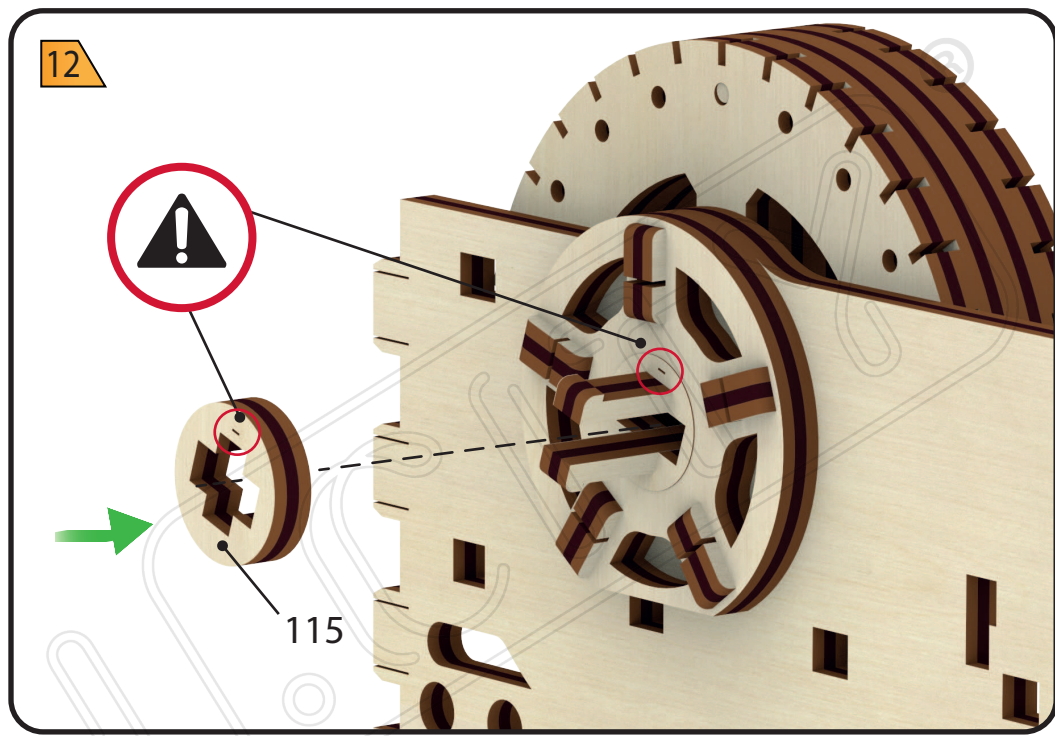


11

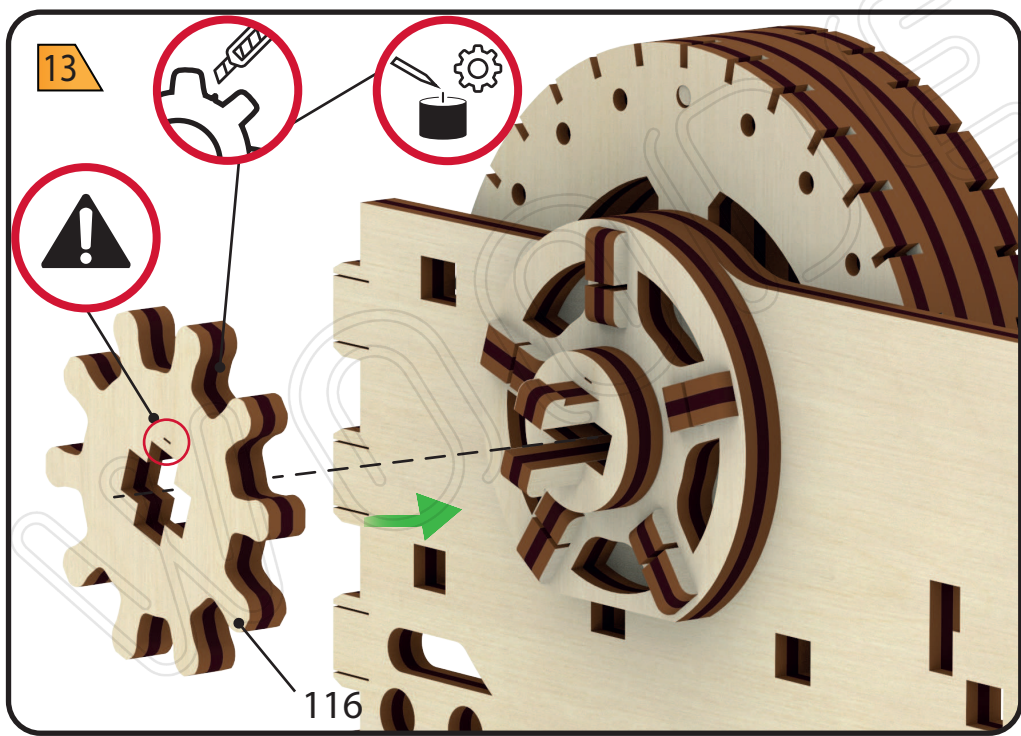
BDF Compressor Free Version



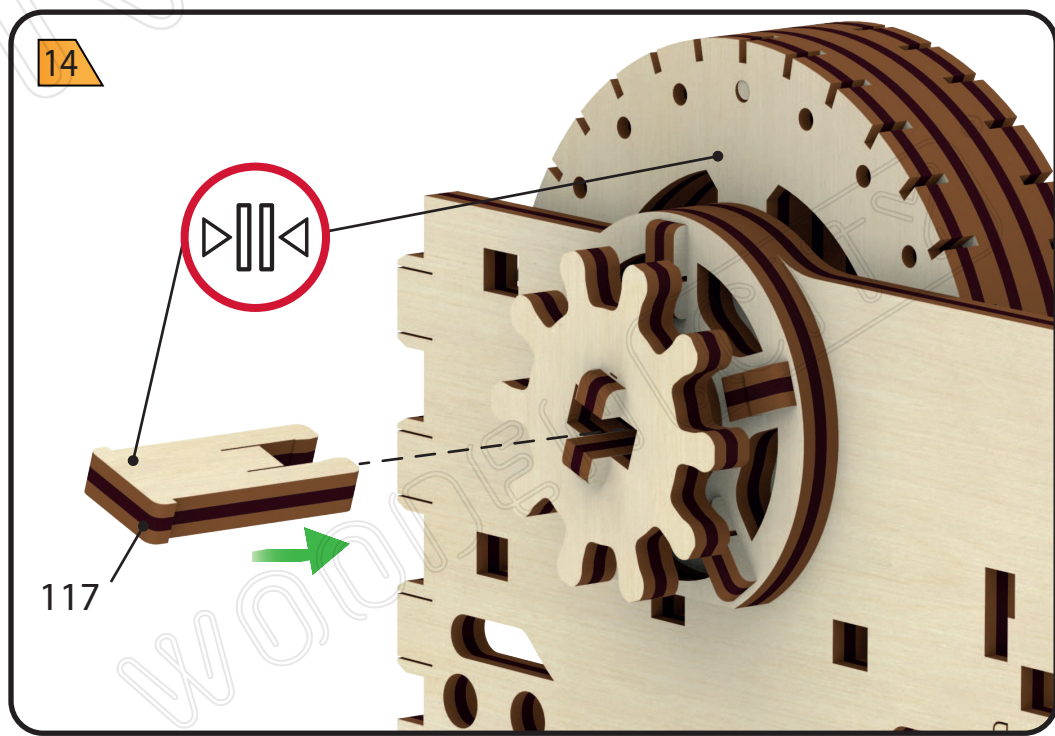
12

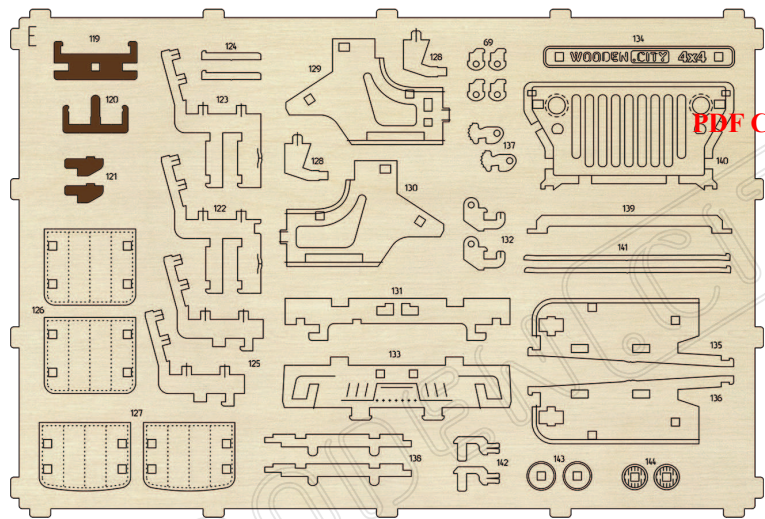


13



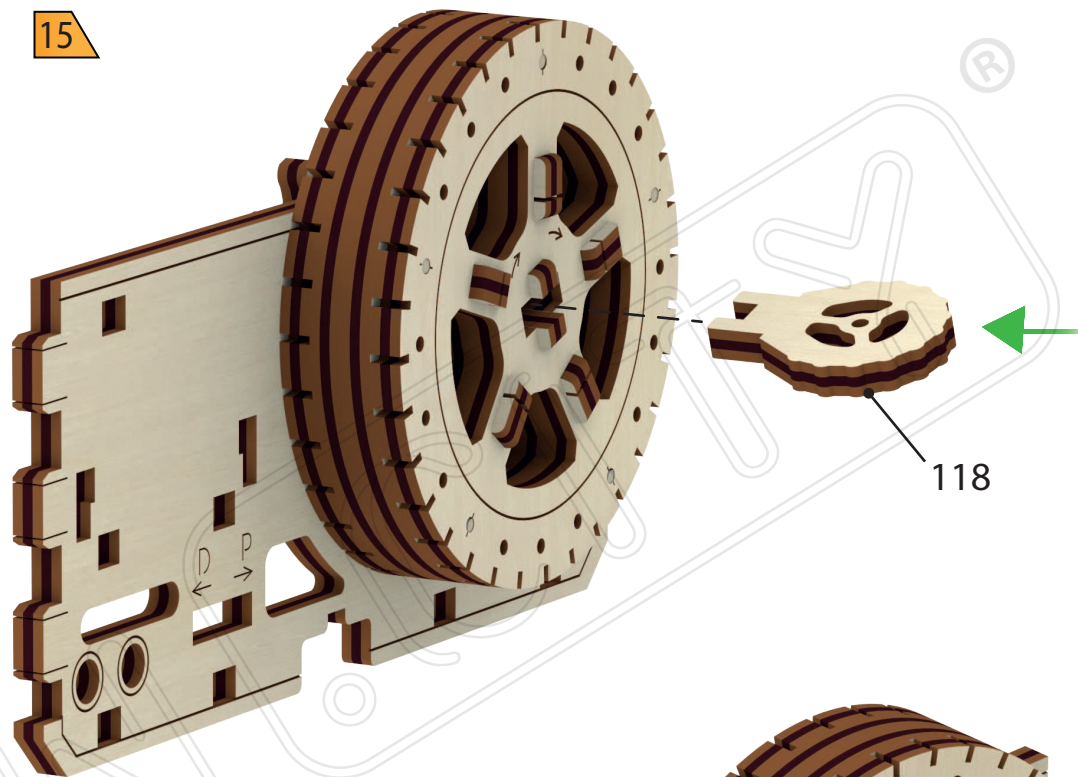
14



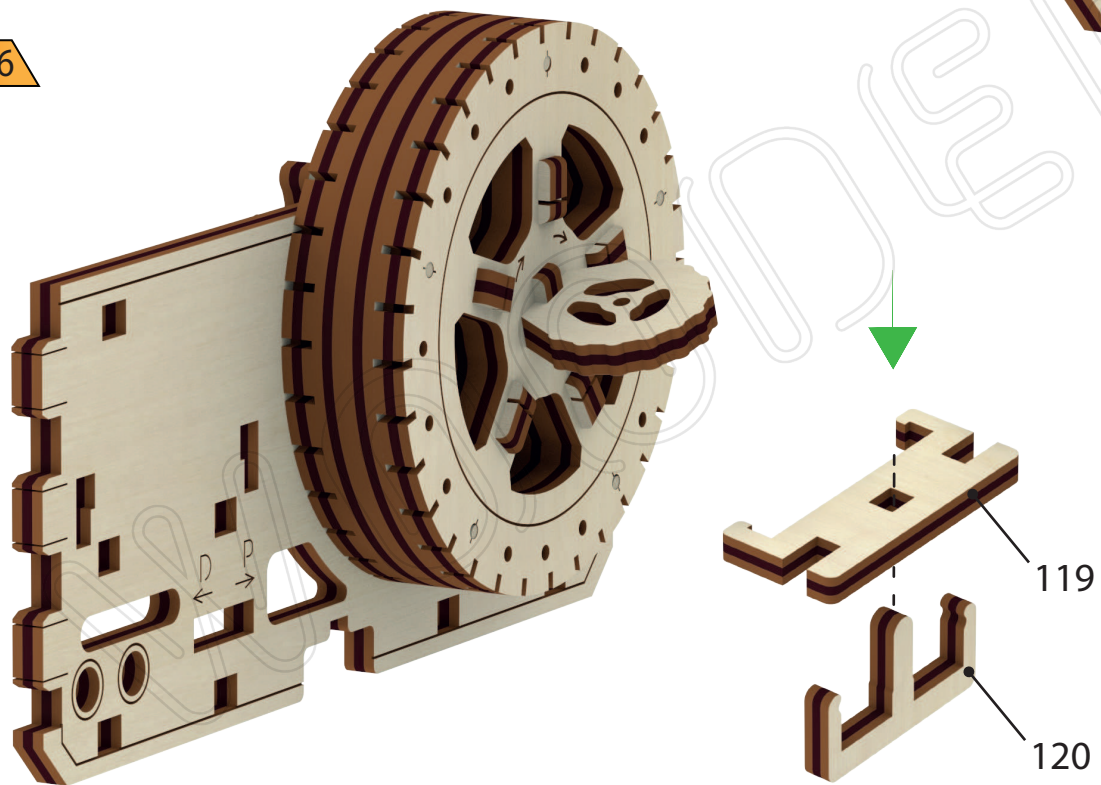


PDF Compressor Free Version

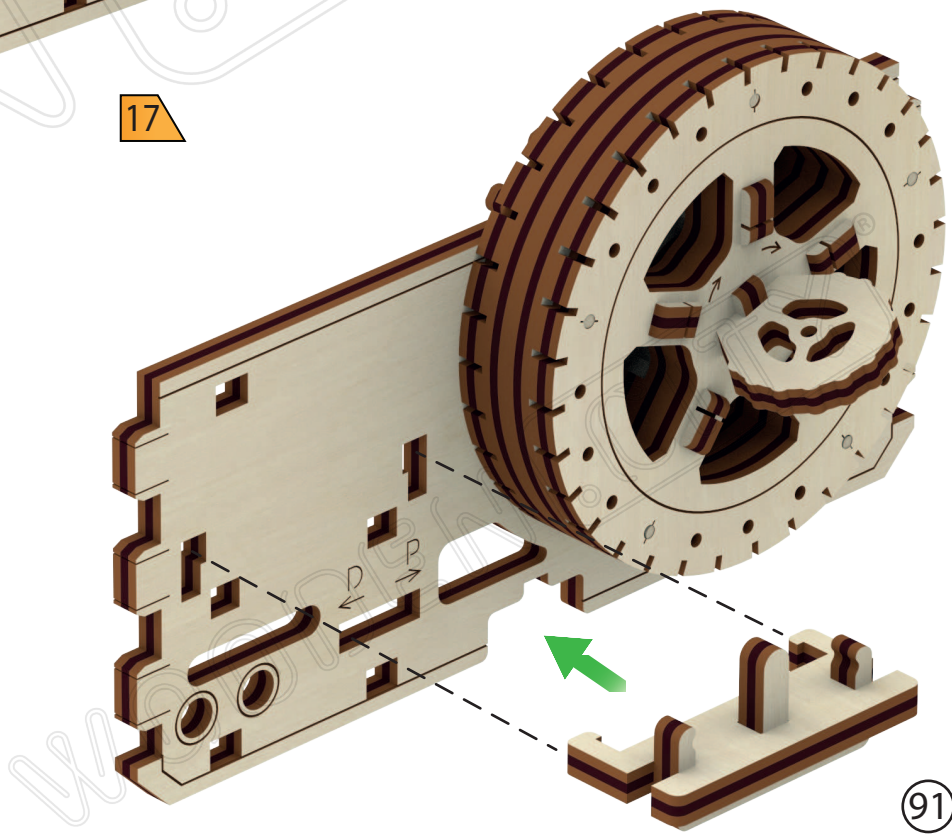
15



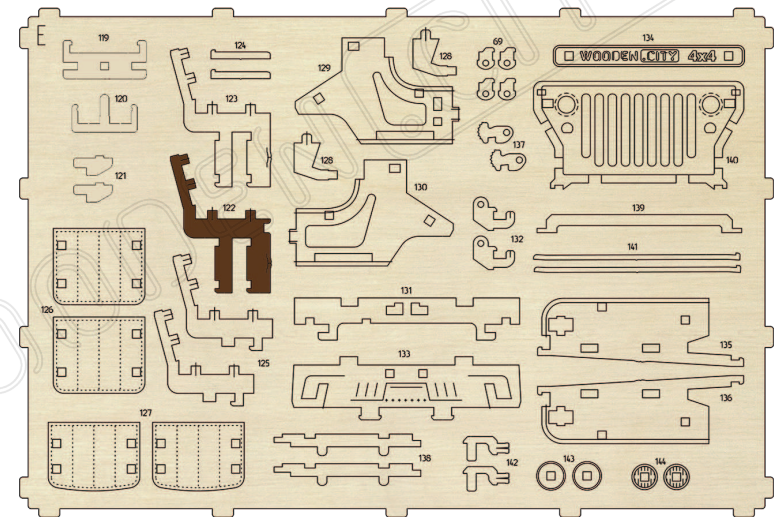
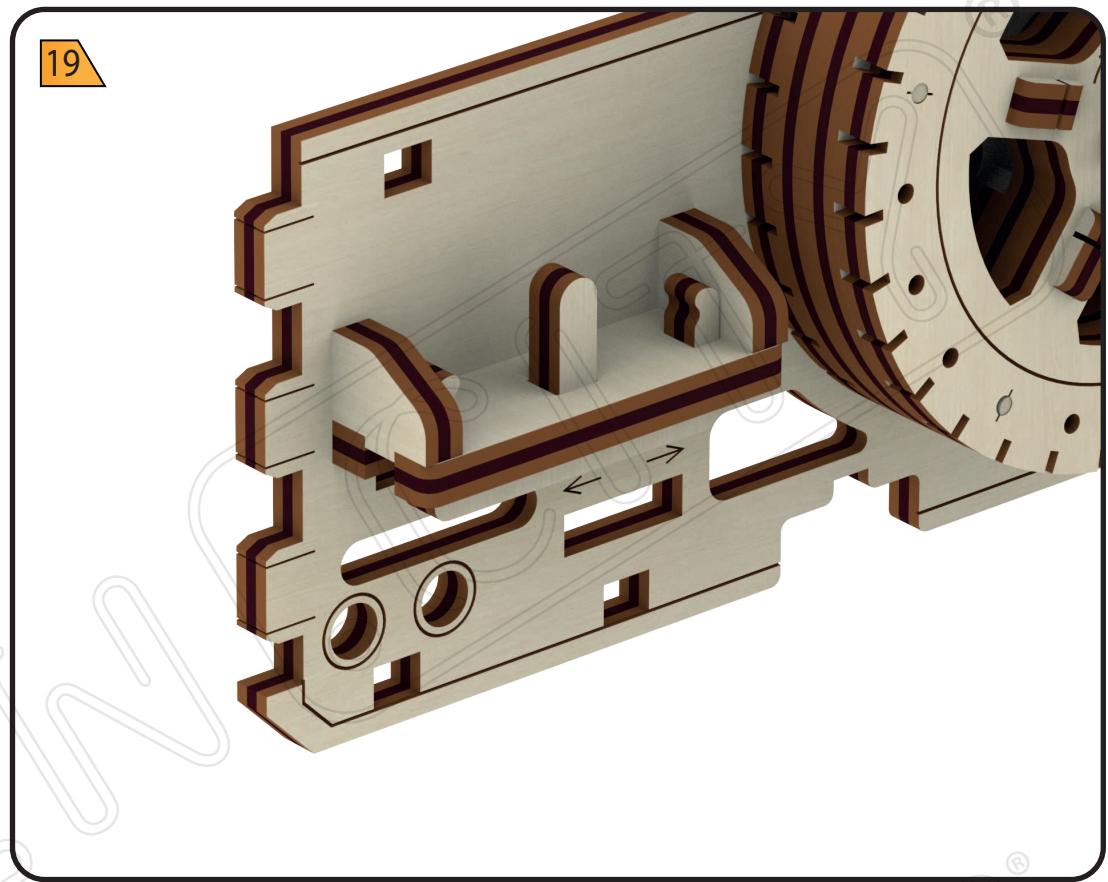
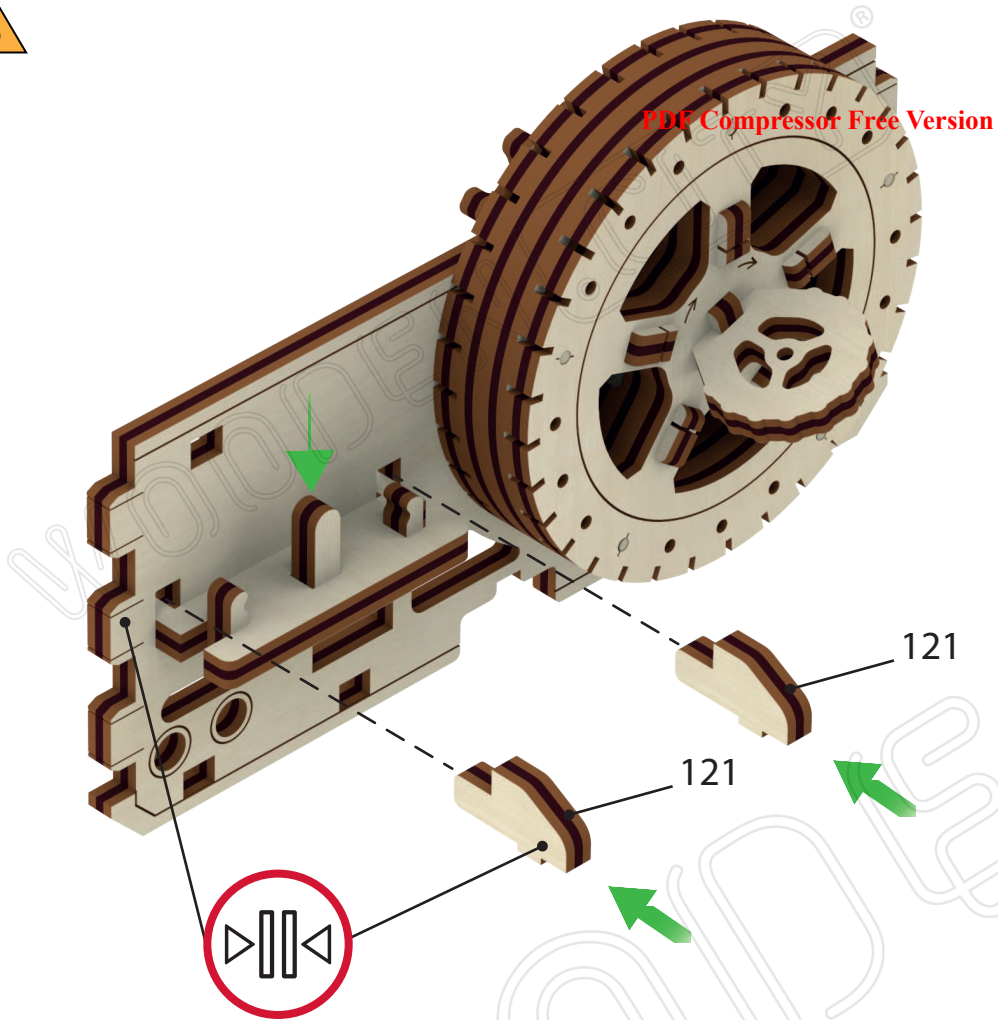
16



17



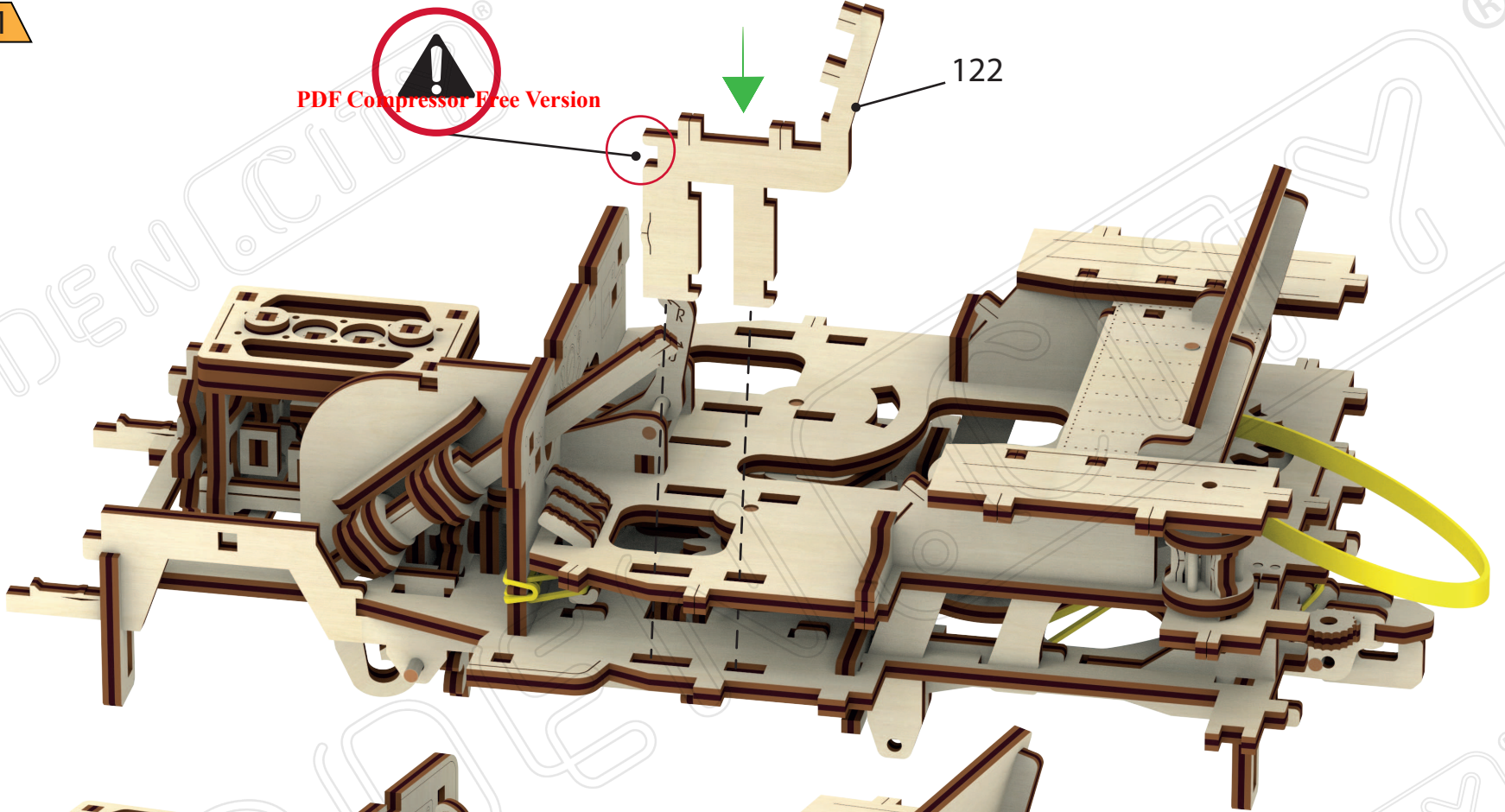
PDF Compressor Free Version



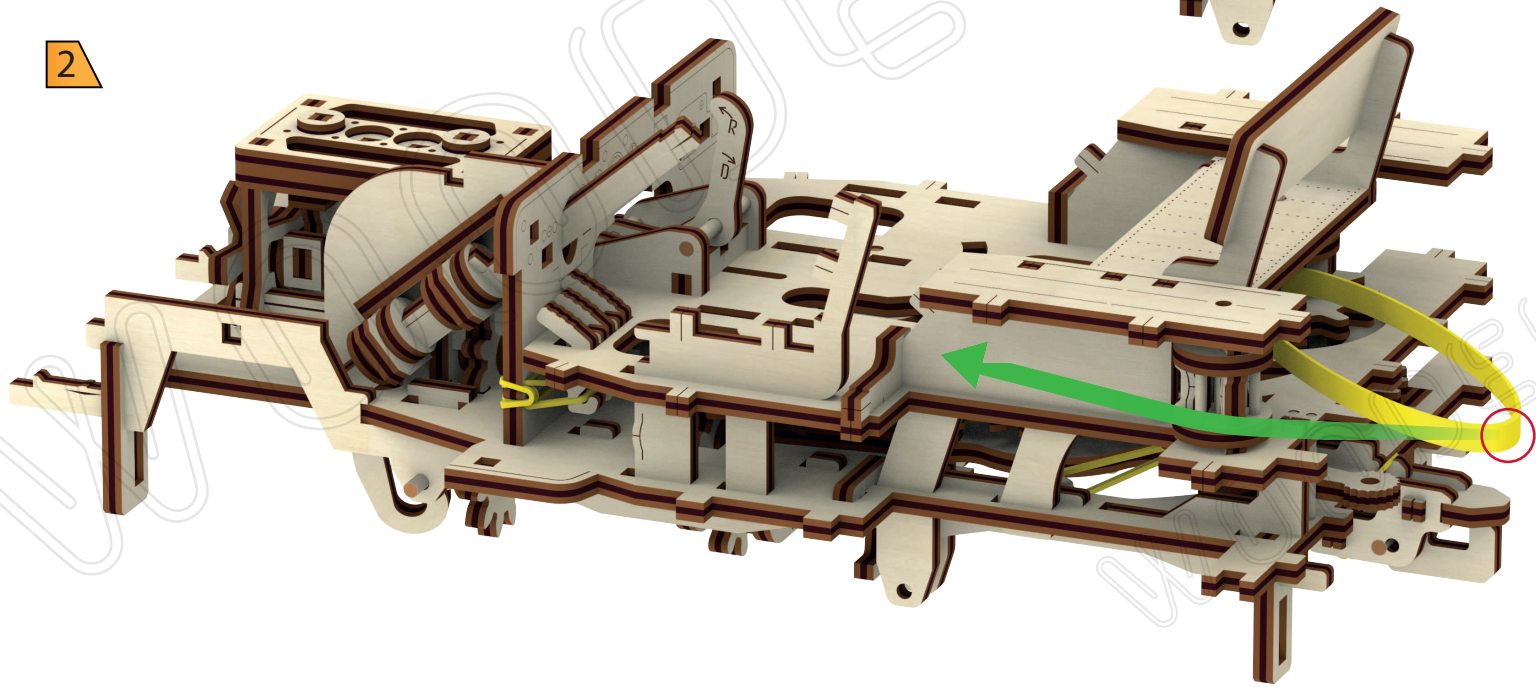
1

PDF Compressor Free Version

122

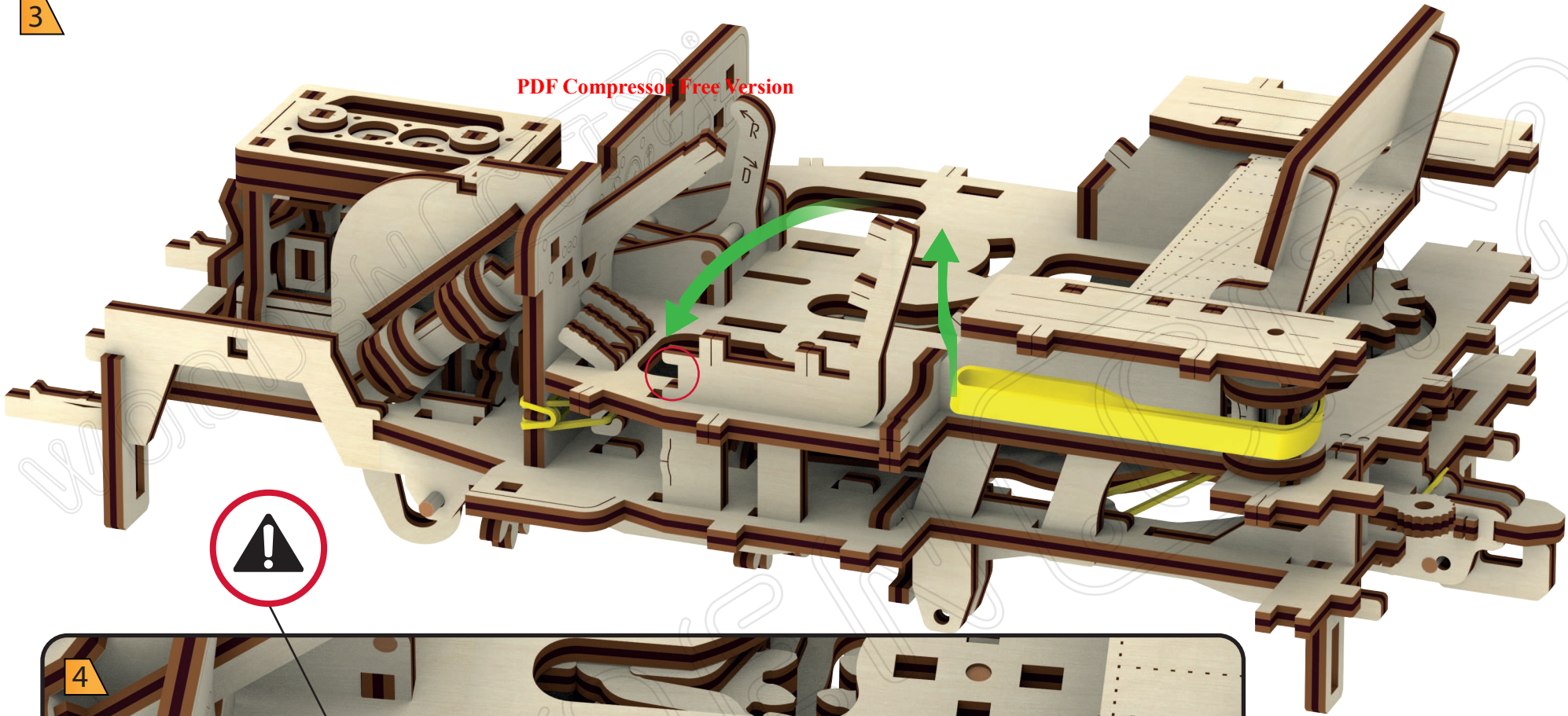


2

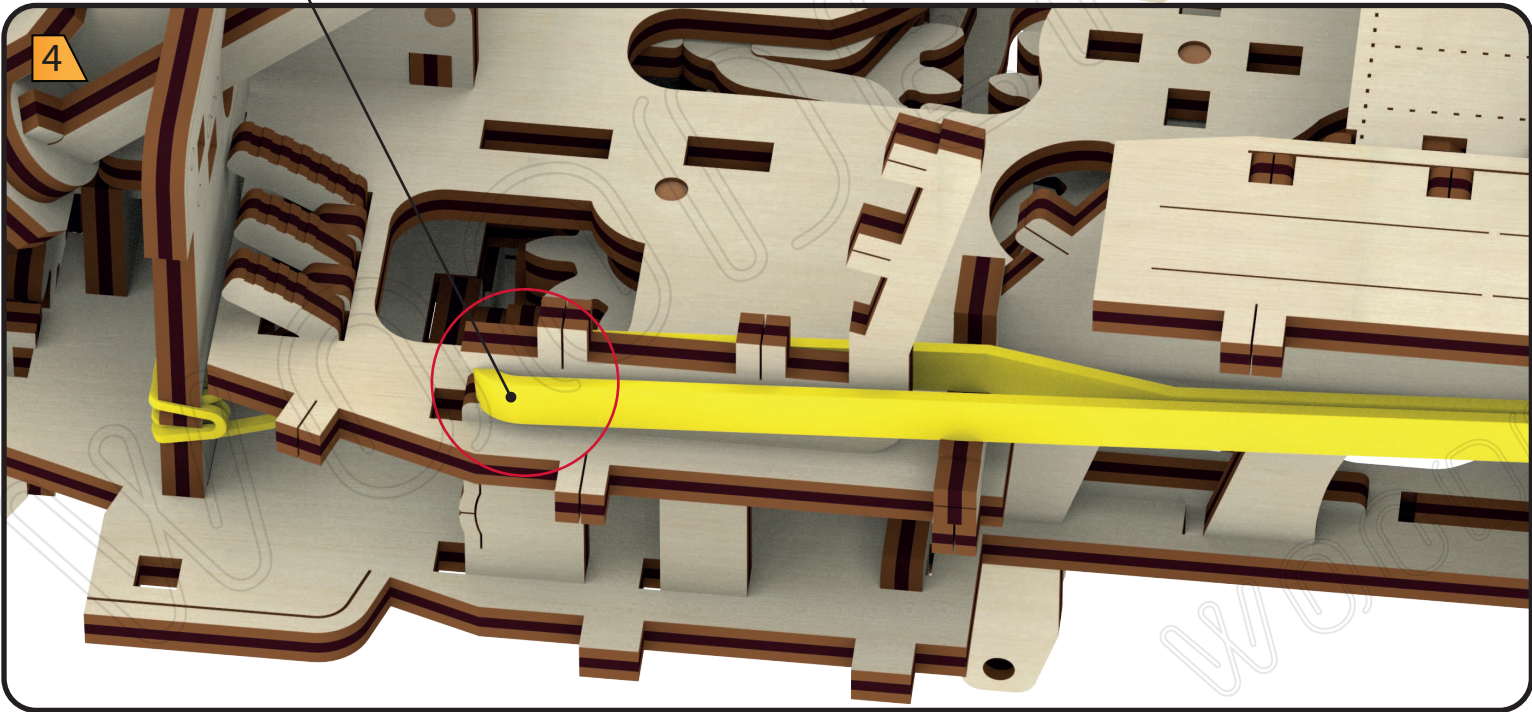


3

PDF Compressor Free Version

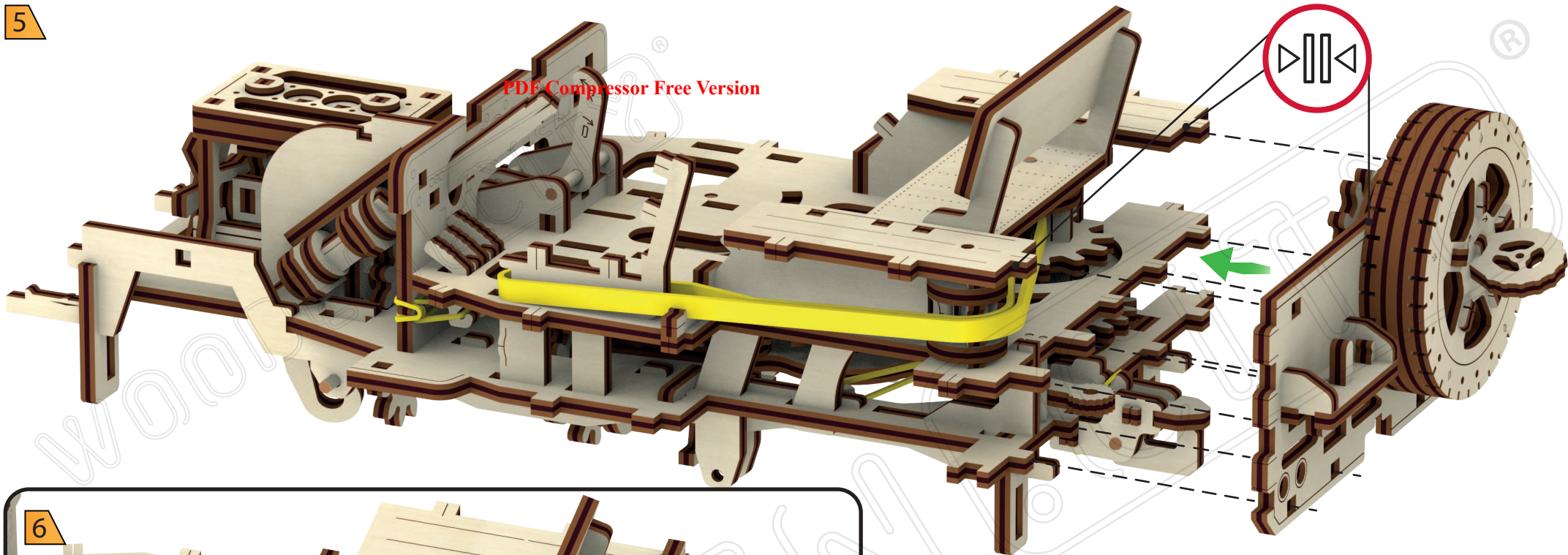


4

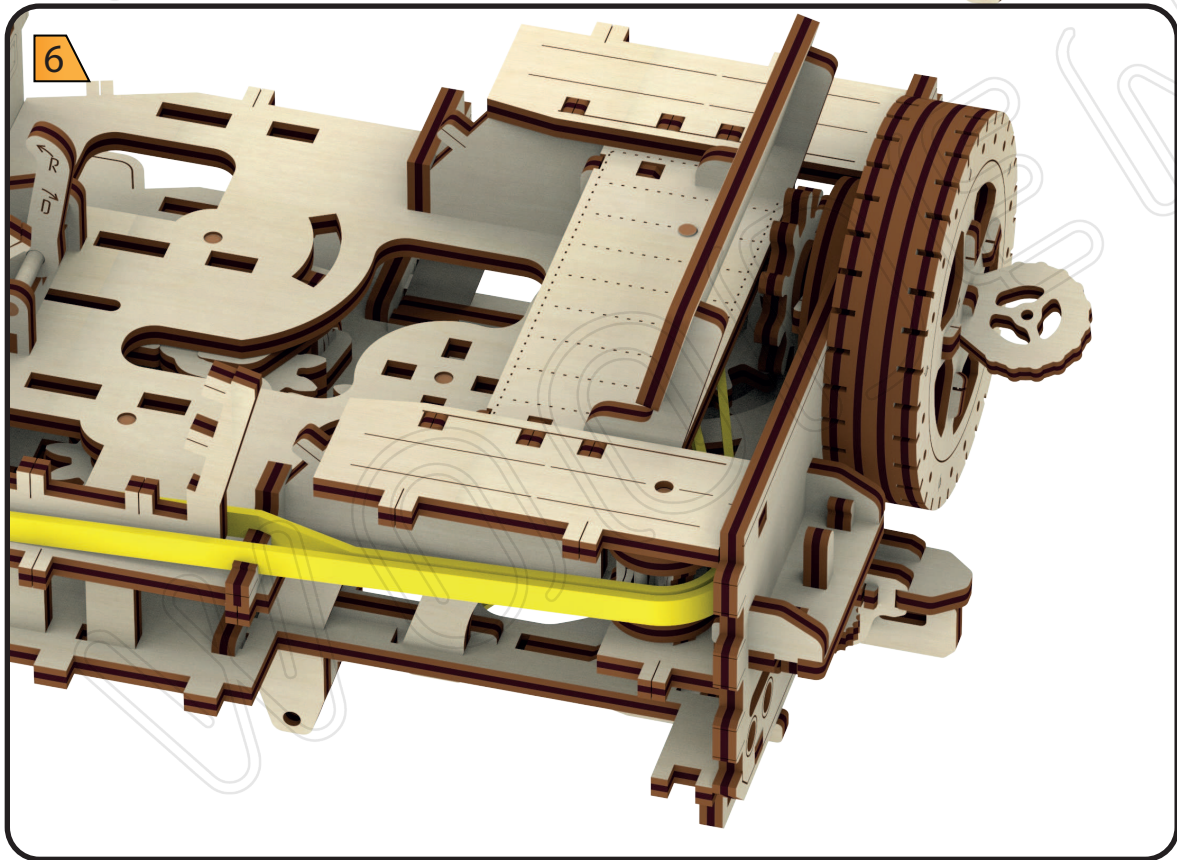


5

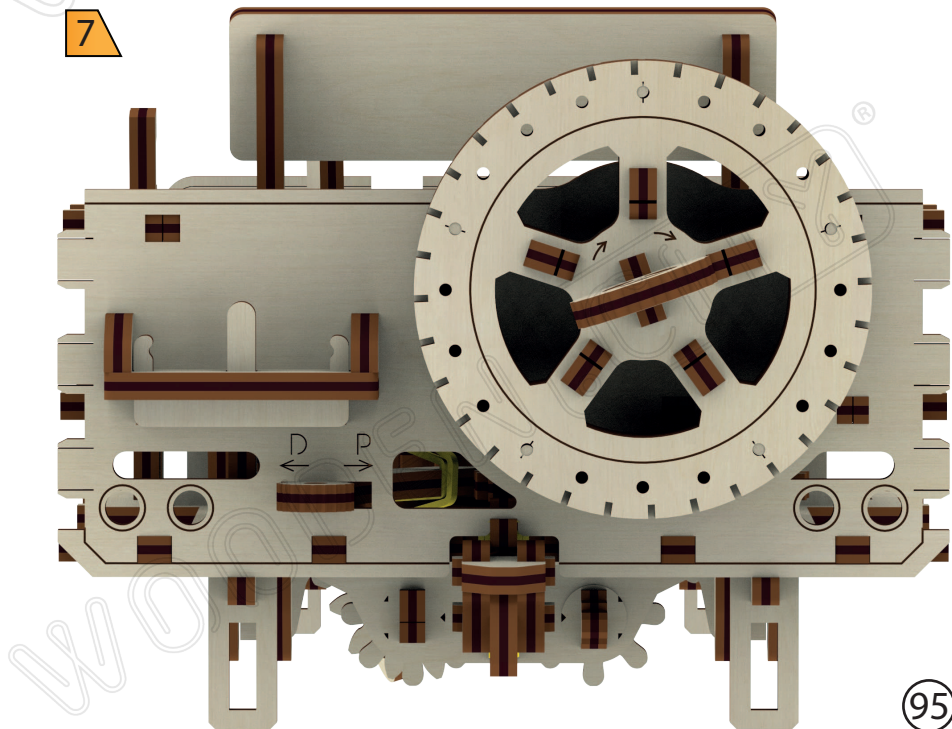
PDF Compressor Free Version

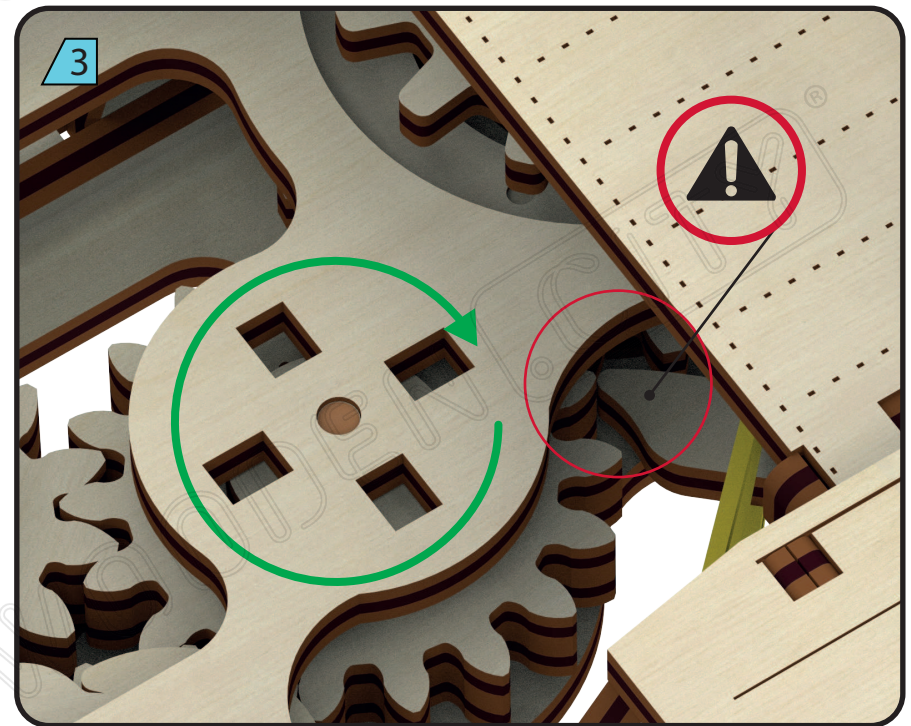
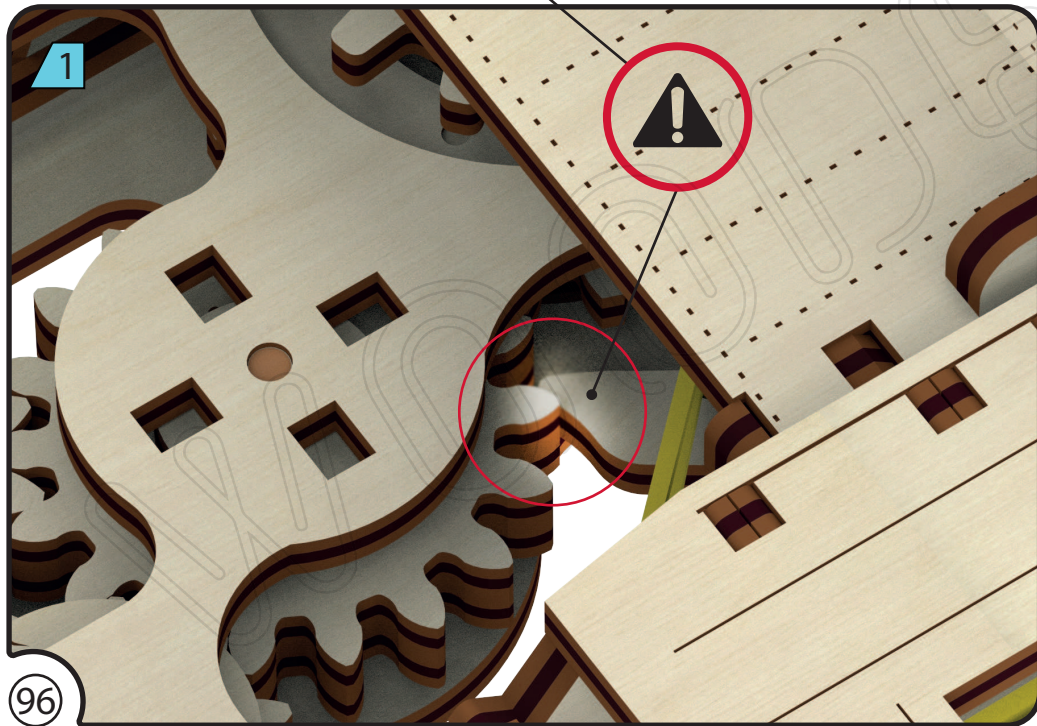
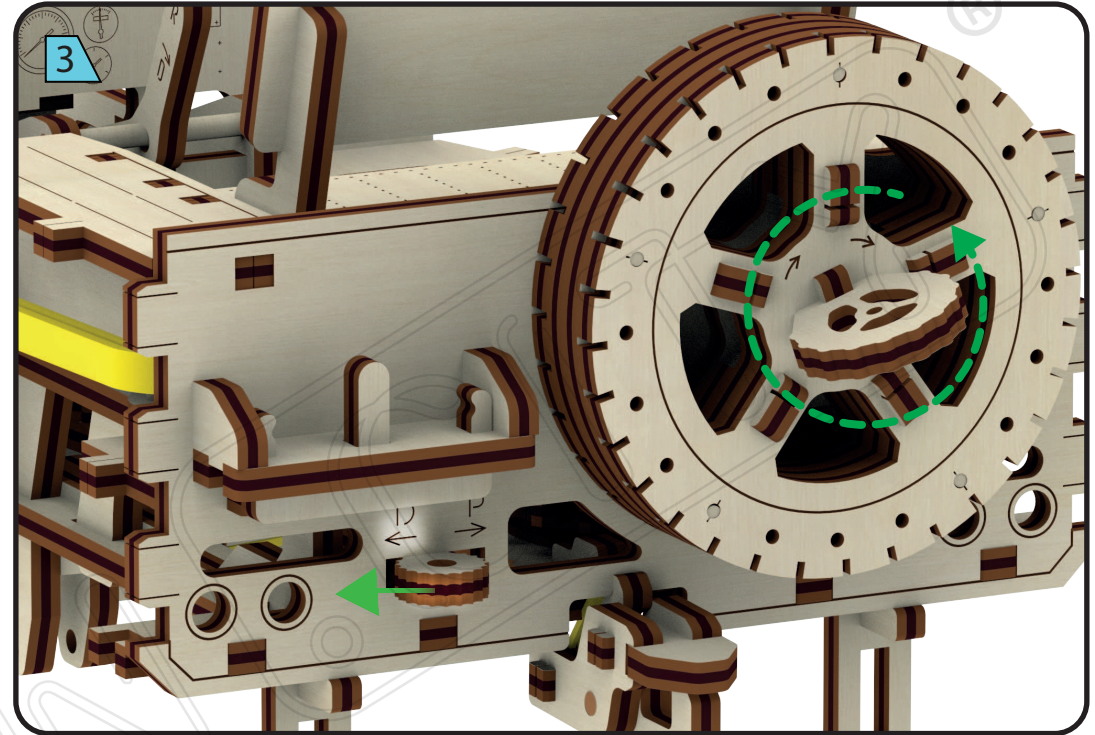
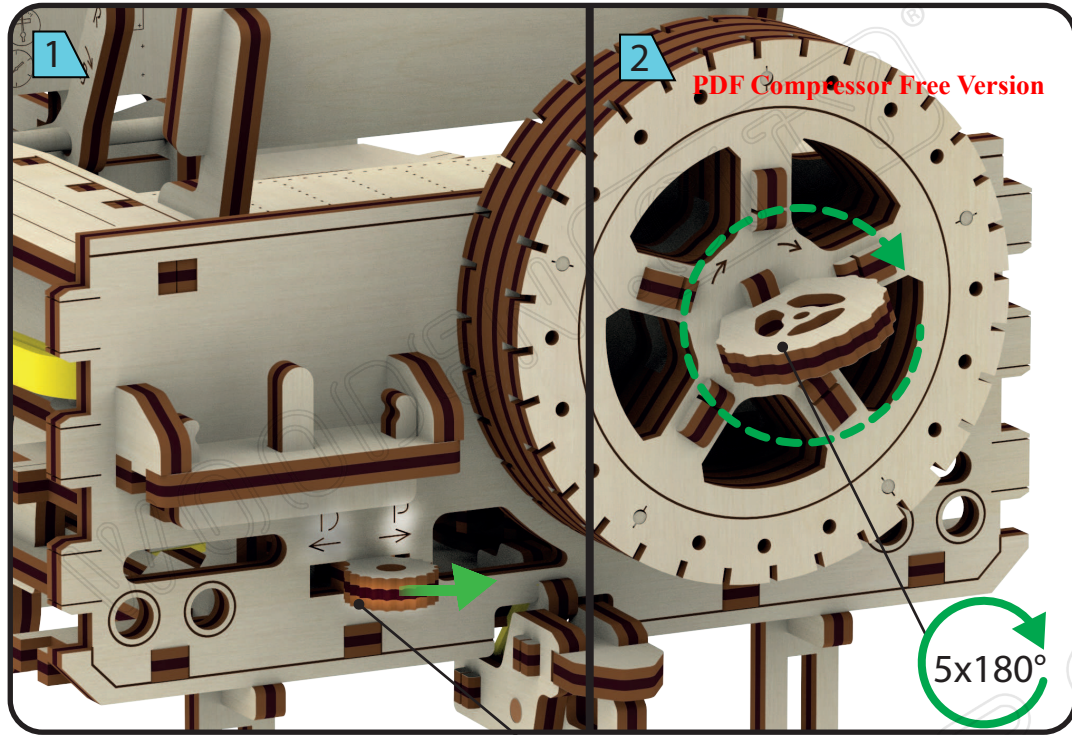


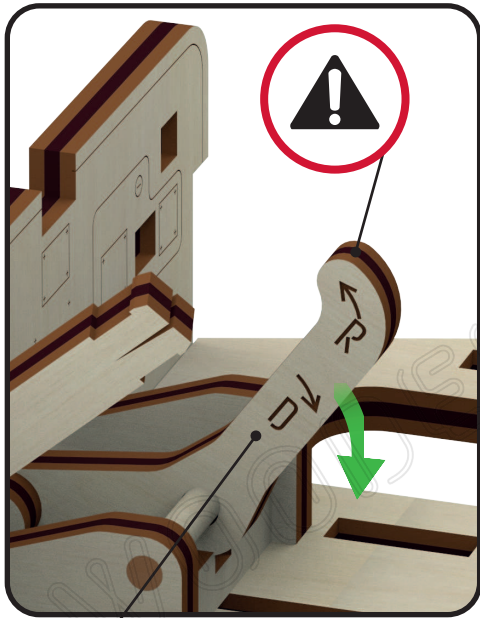
6



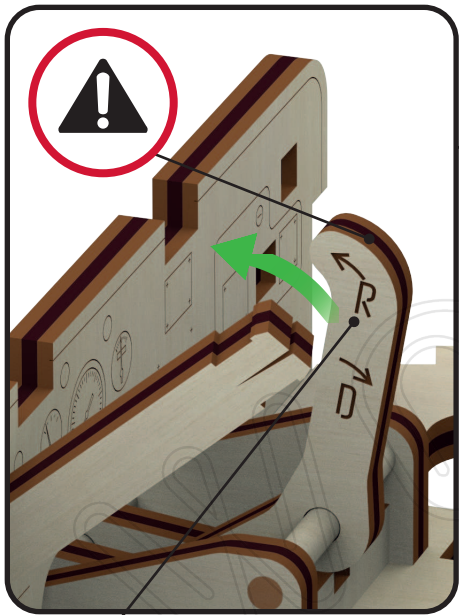
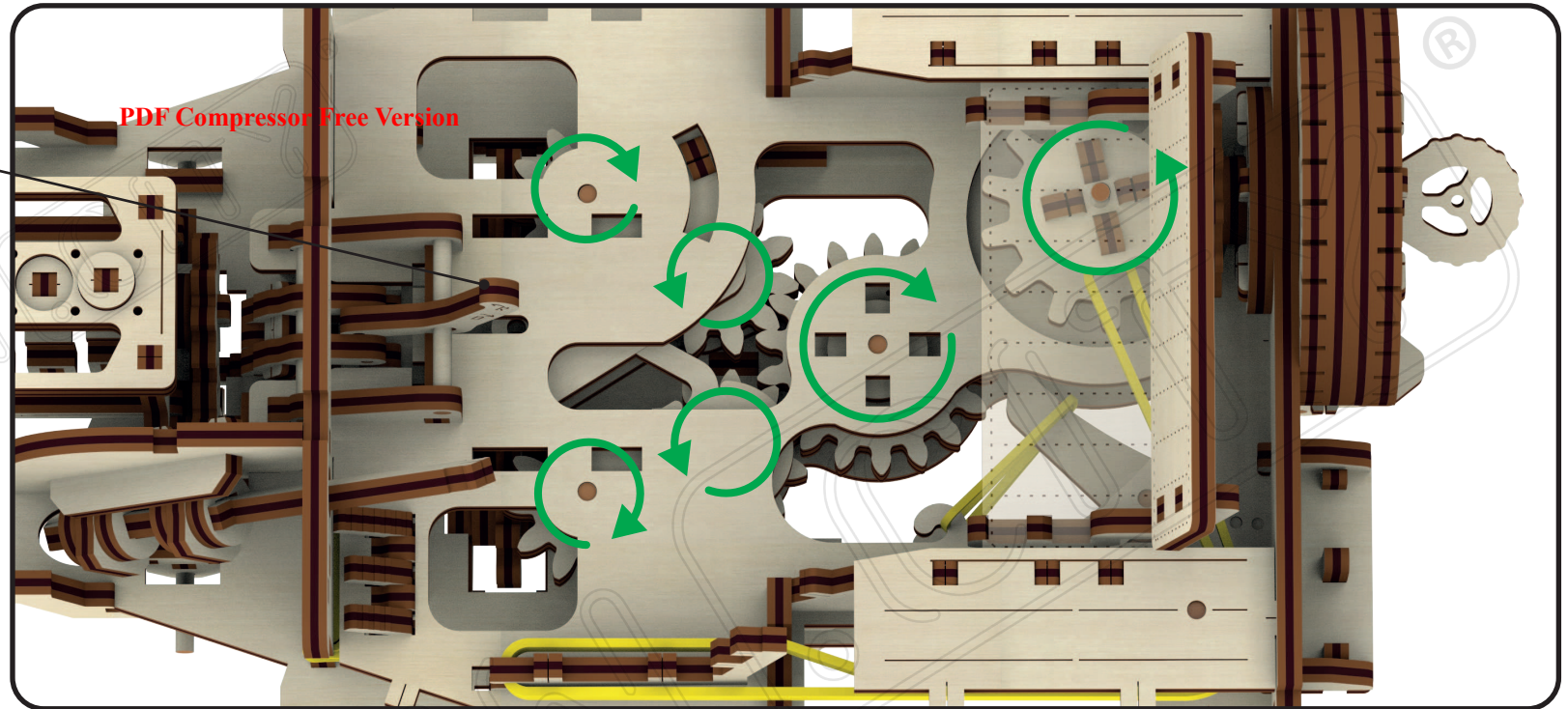
7



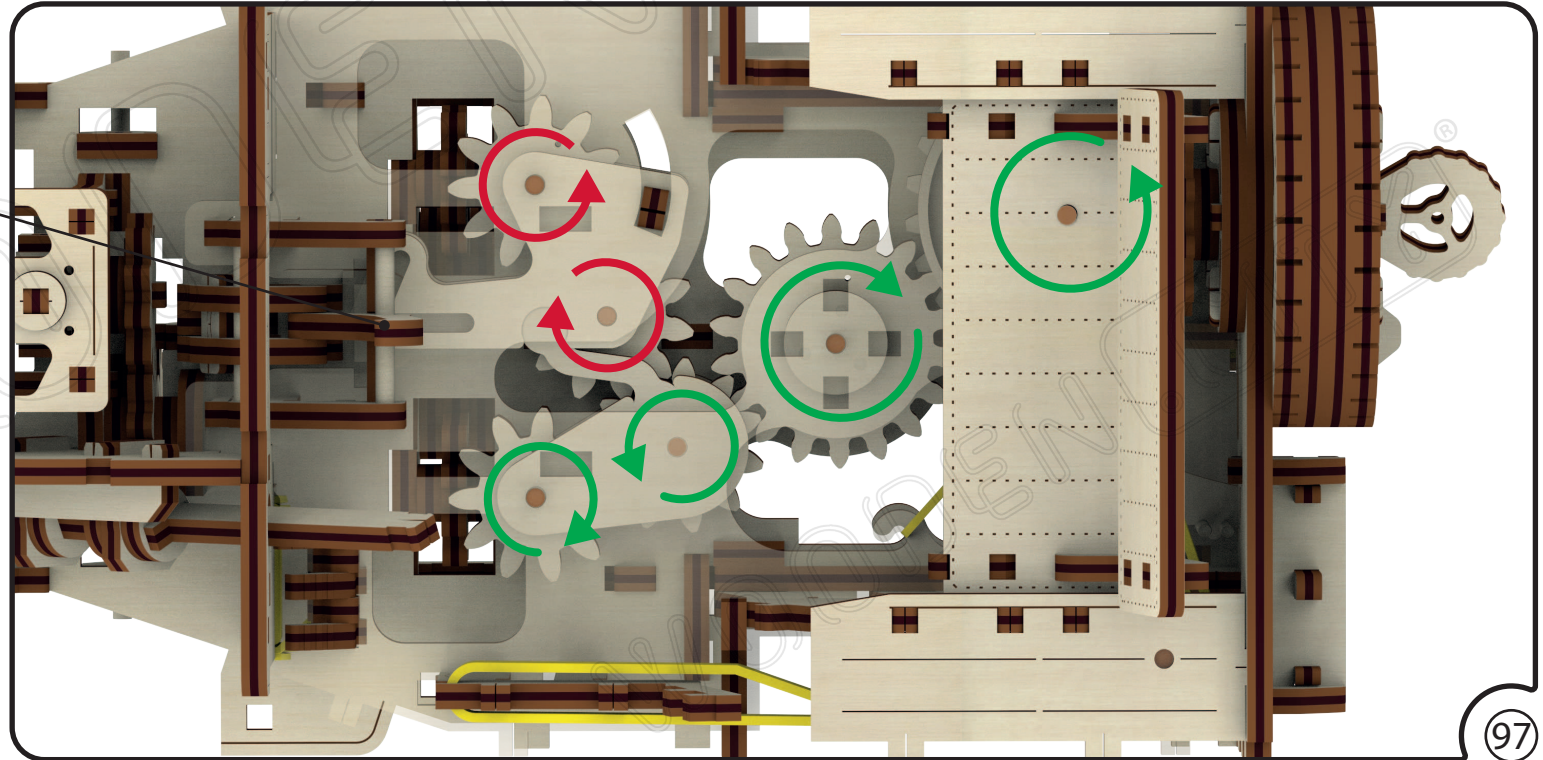


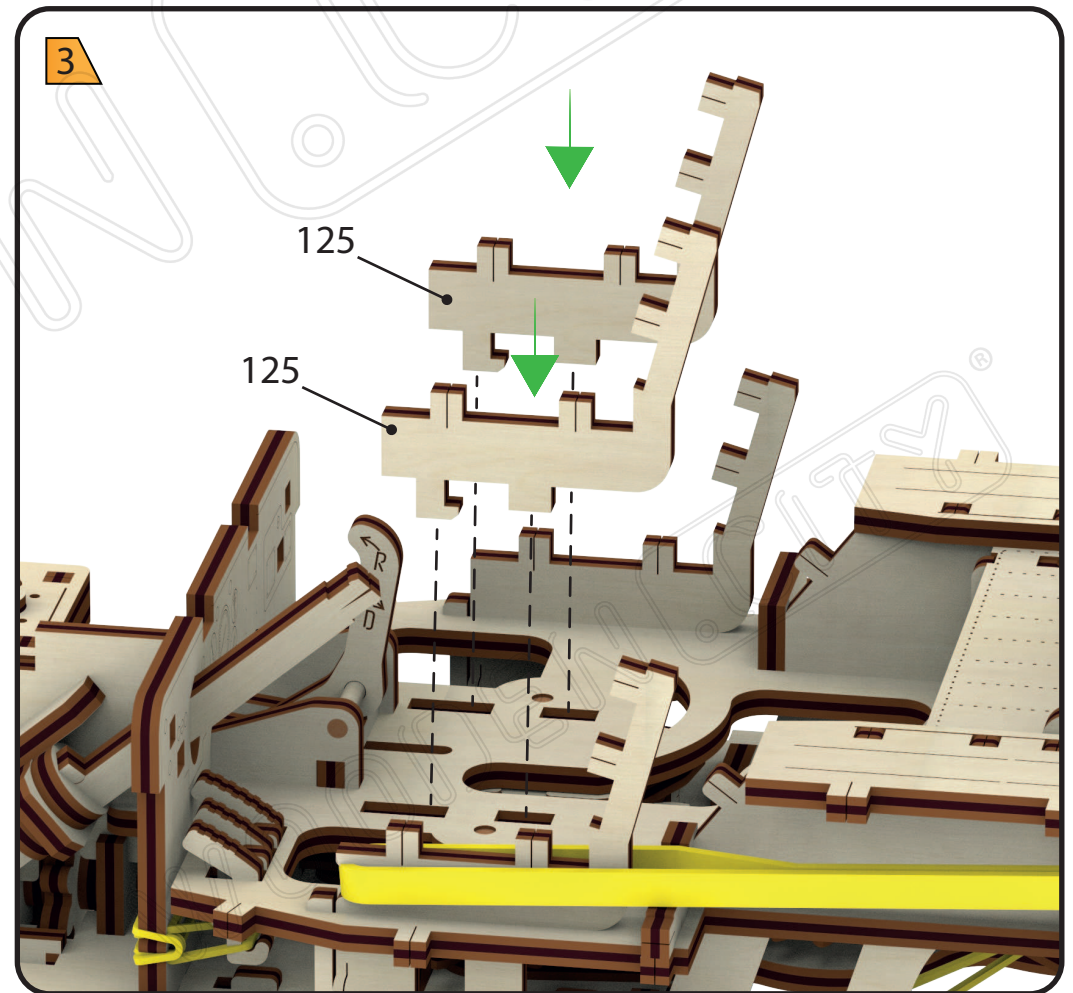
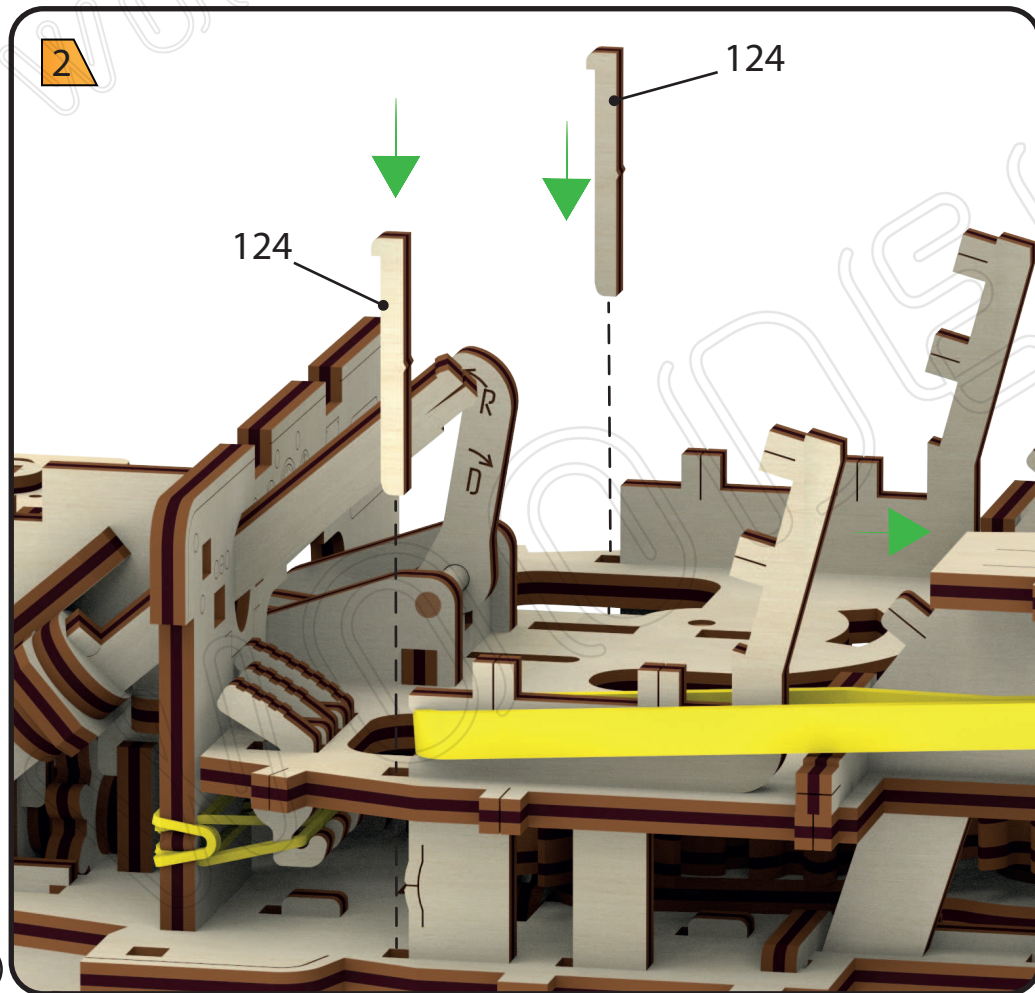
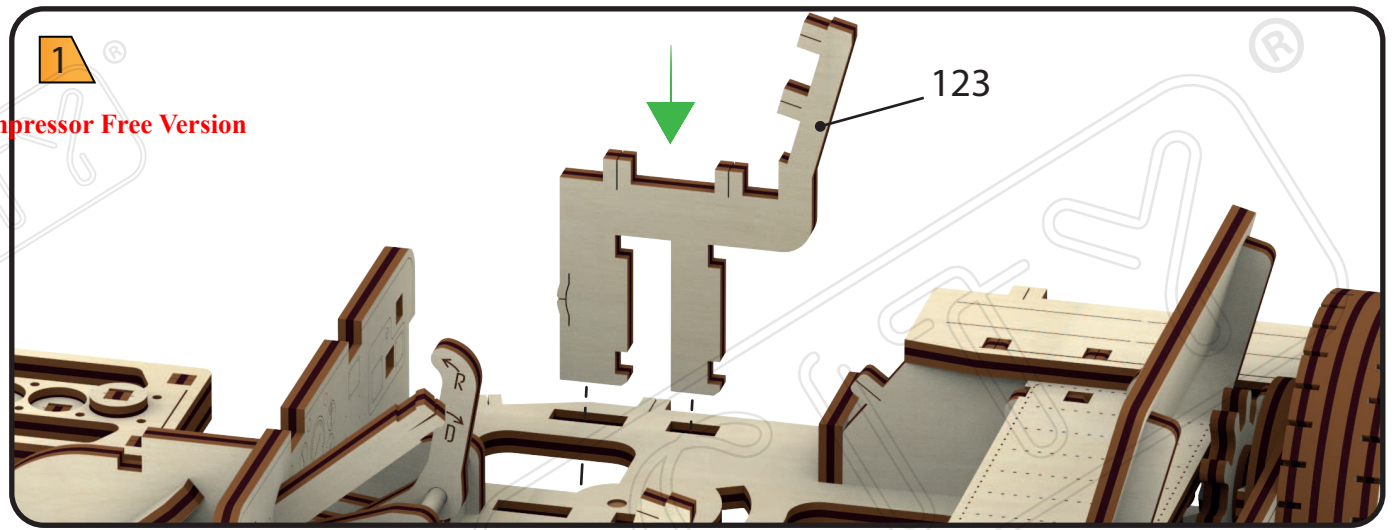
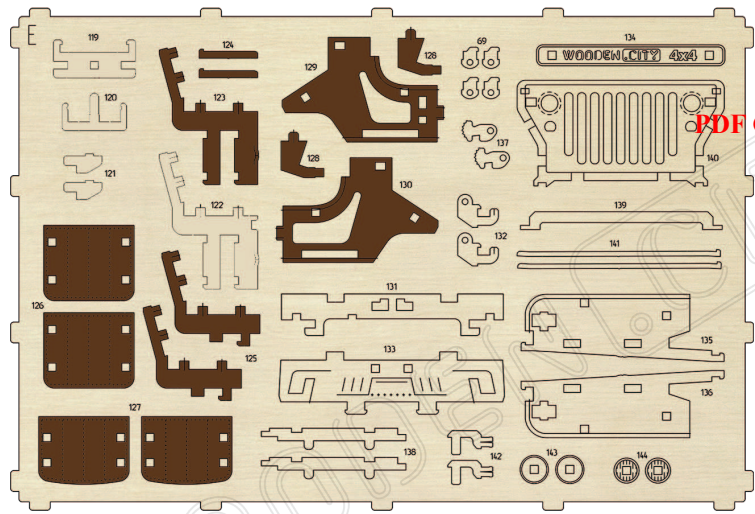


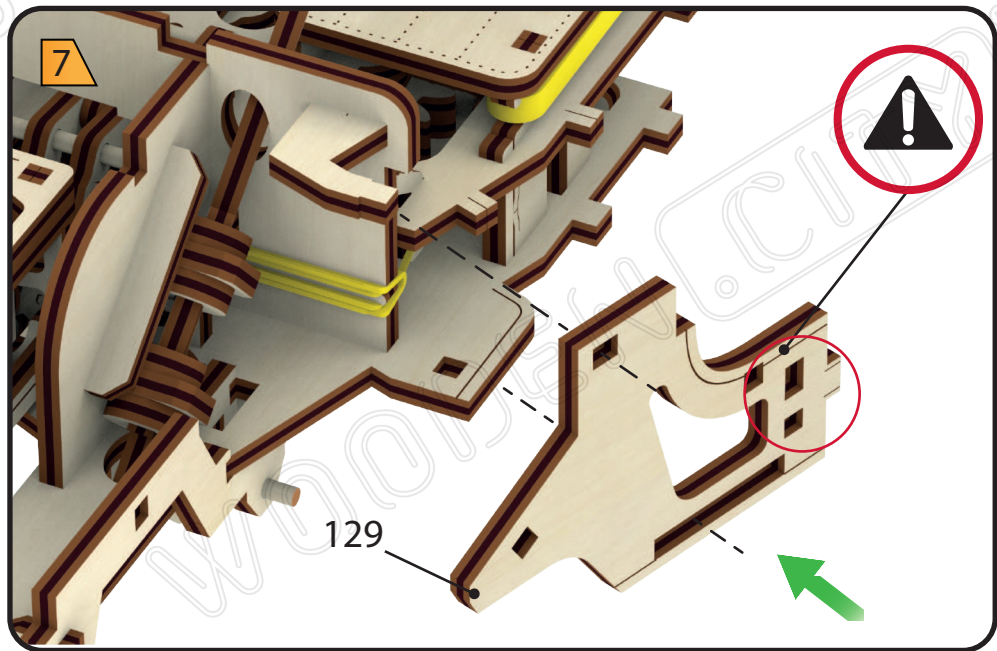
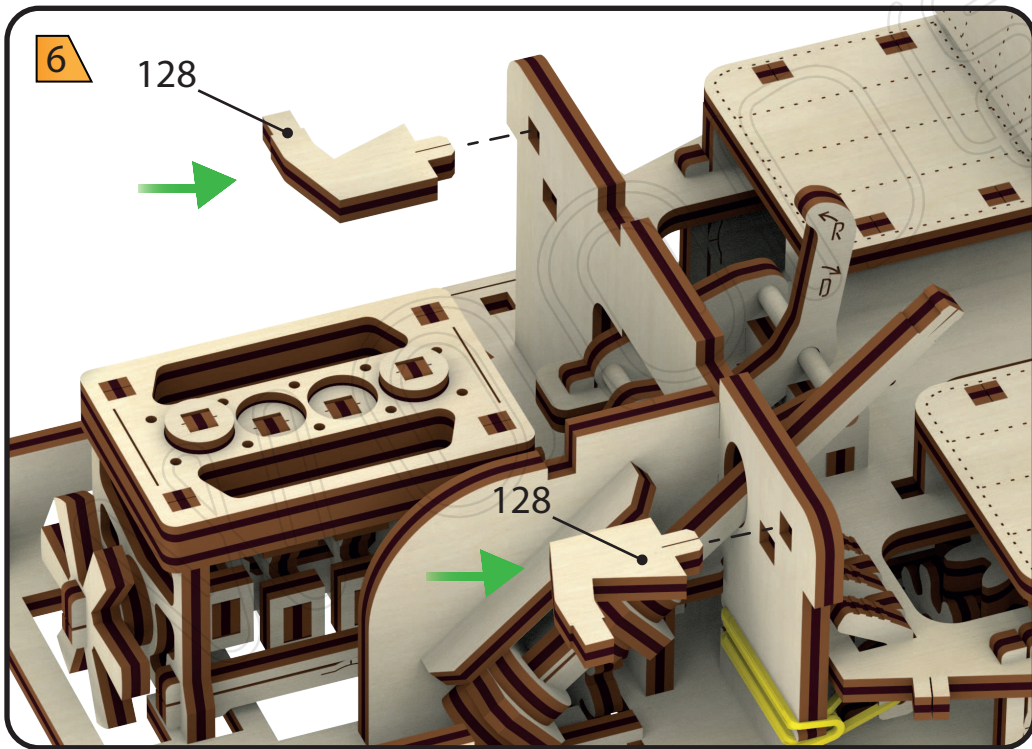
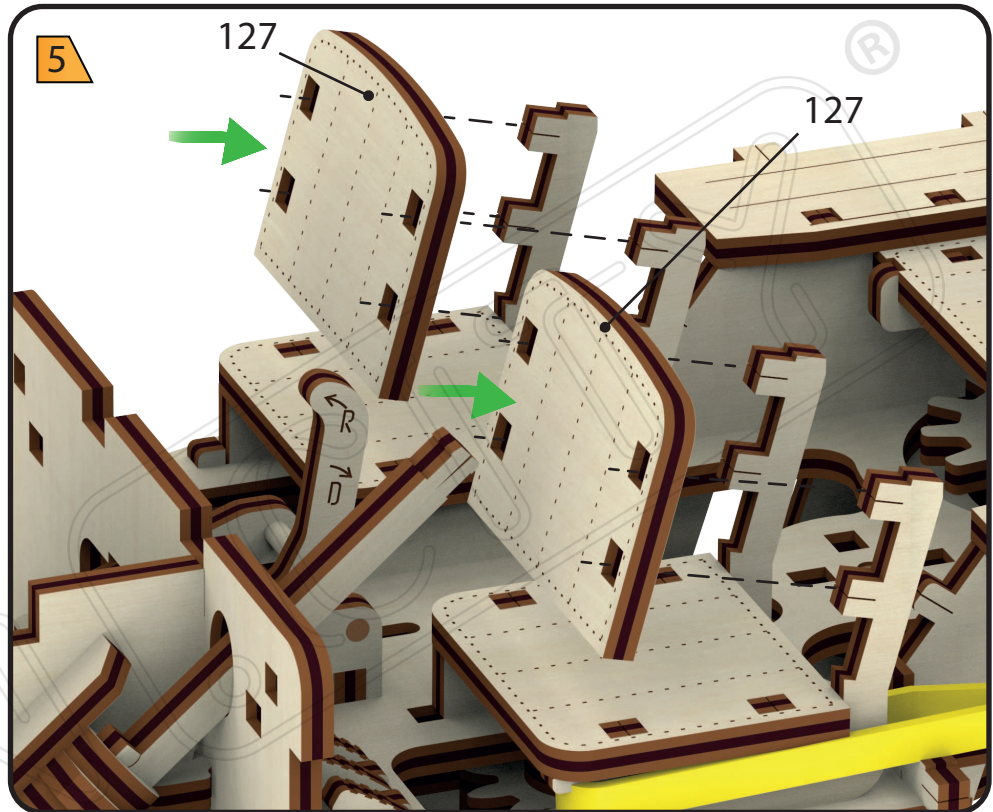
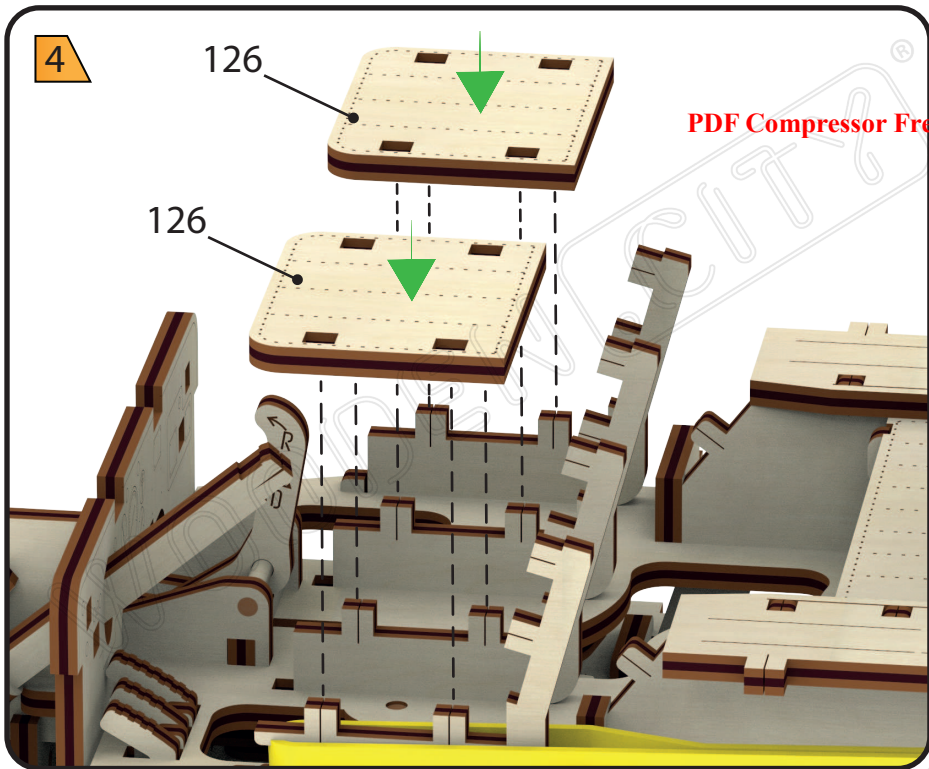
D + **1** **2** **3** FORWARD

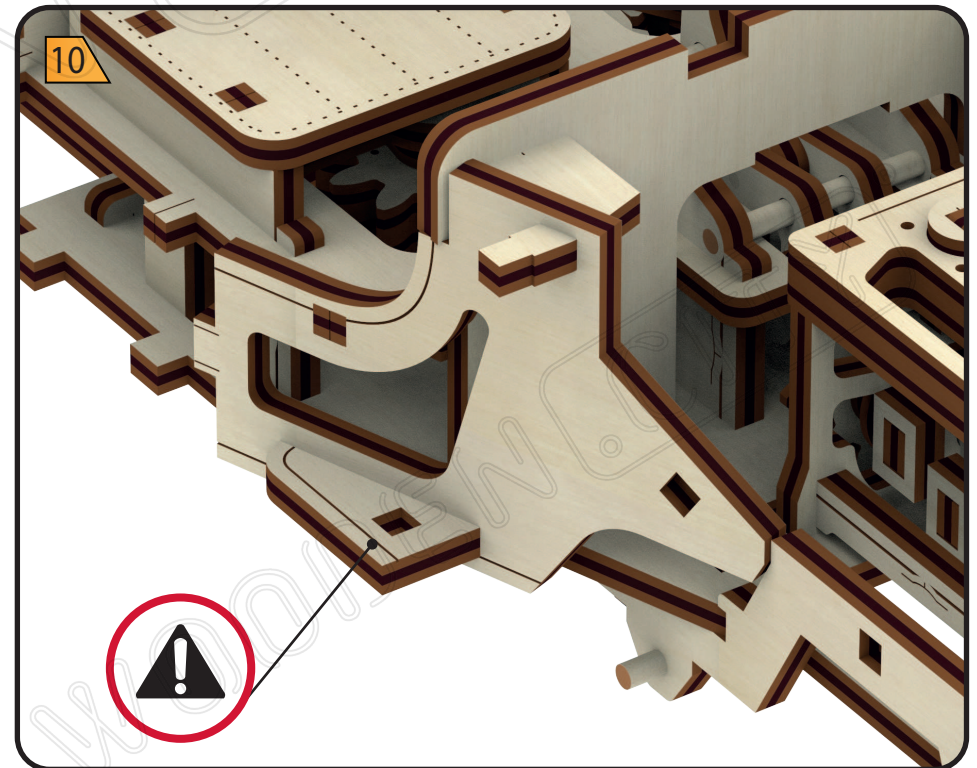
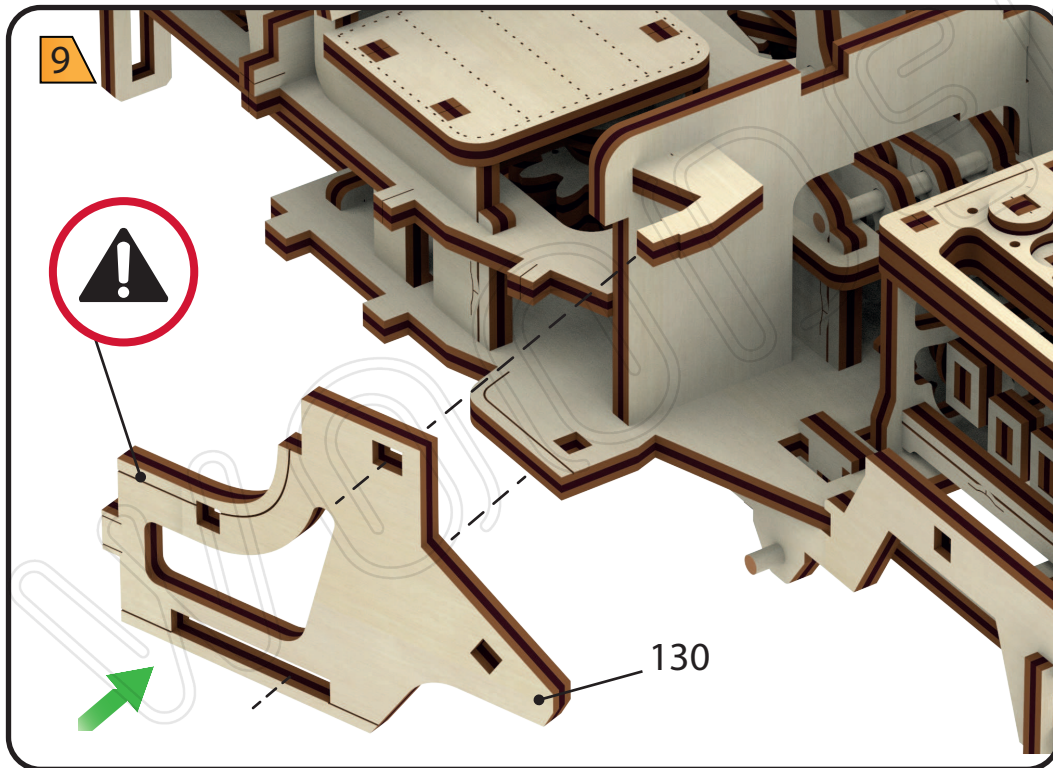
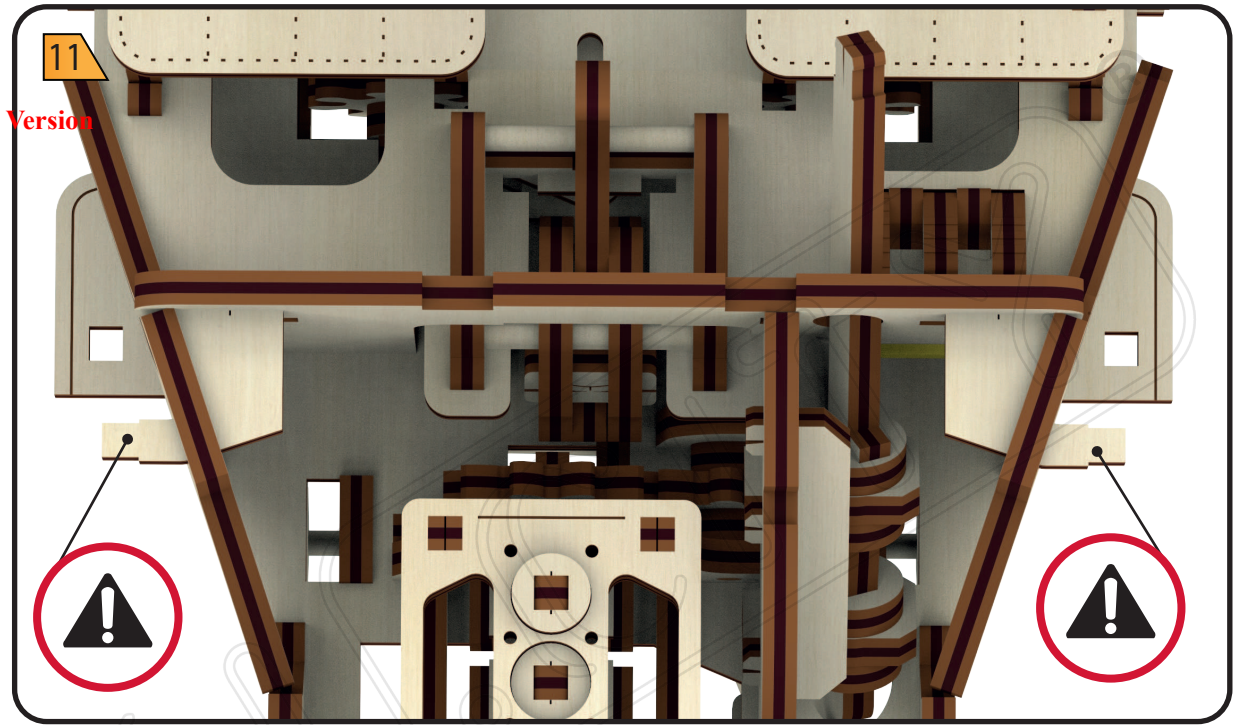
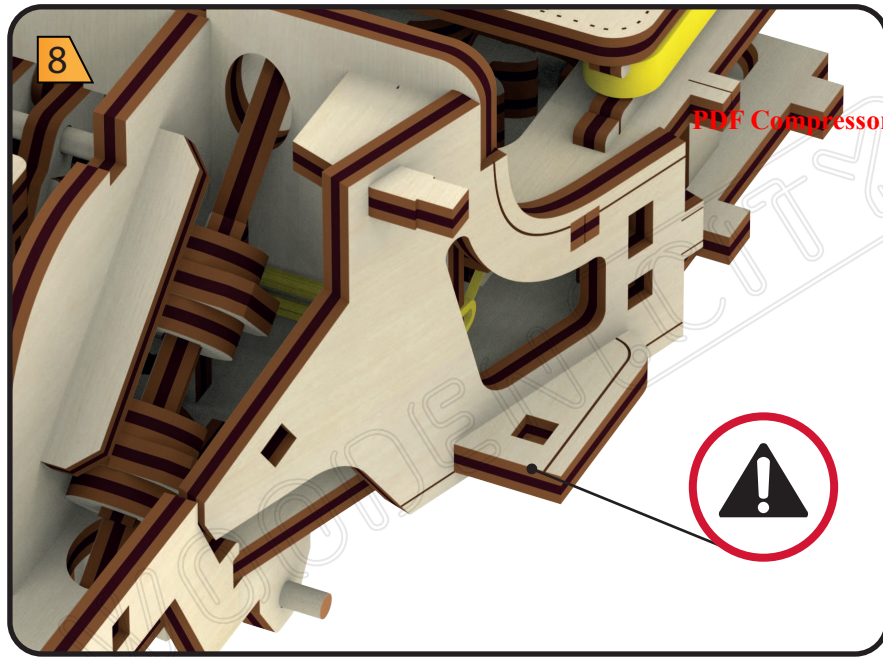


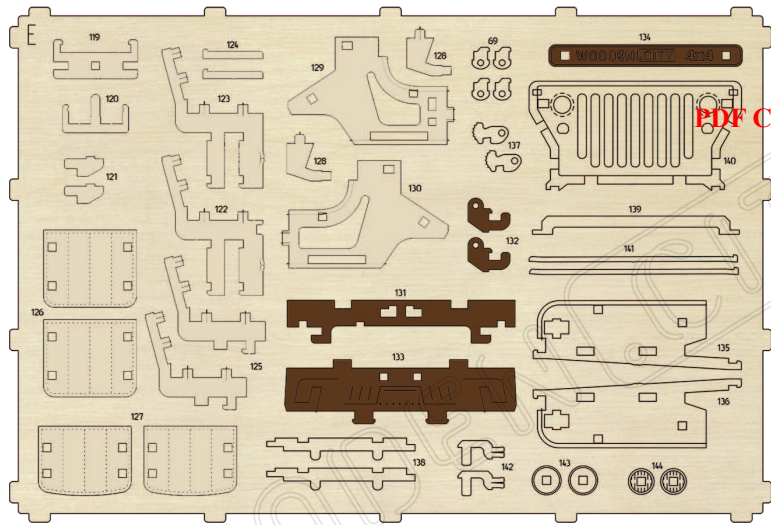
R + **1** **2** **3** REVERSE





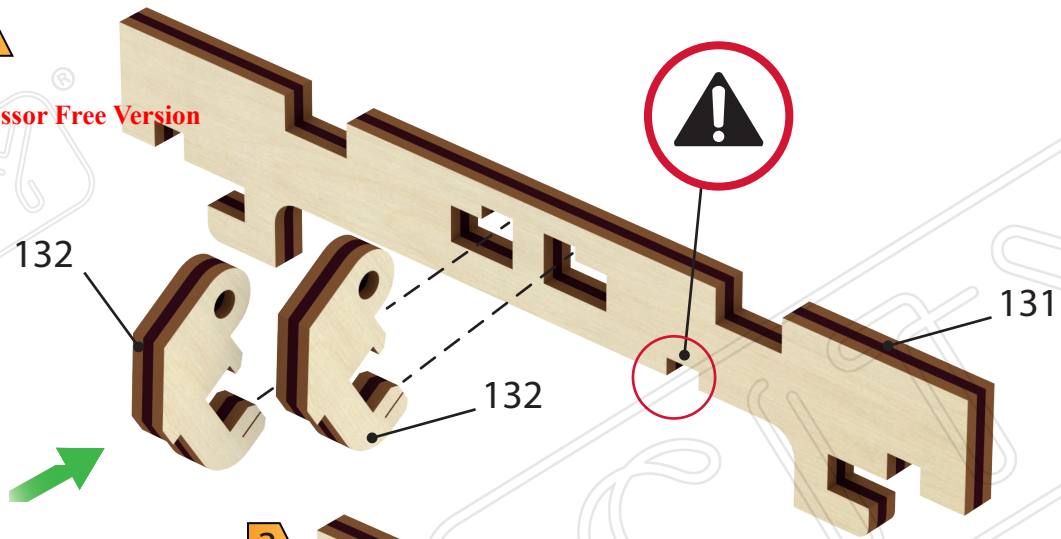




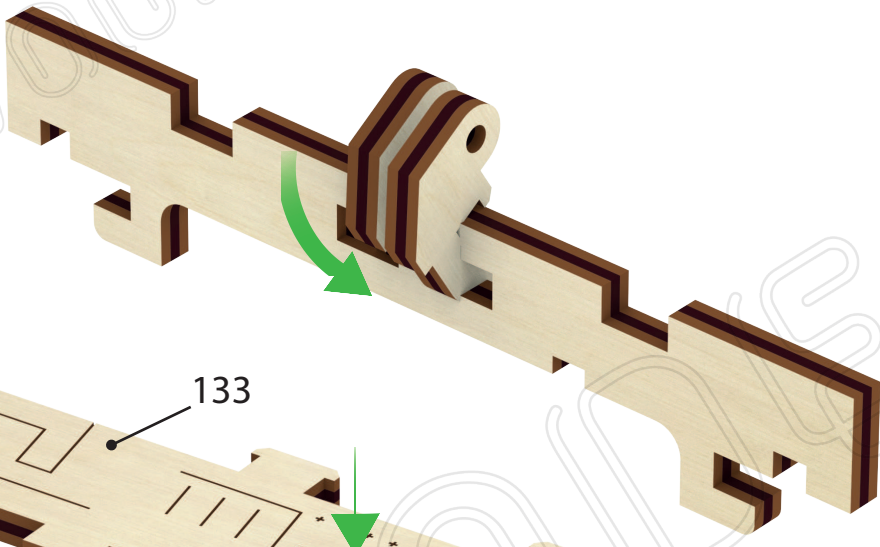


PDF Compressor Free Version

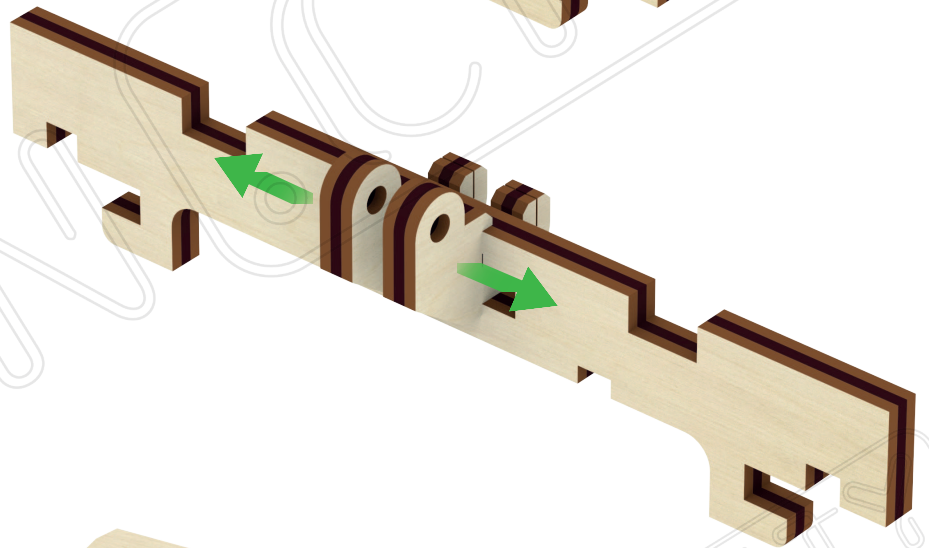
1



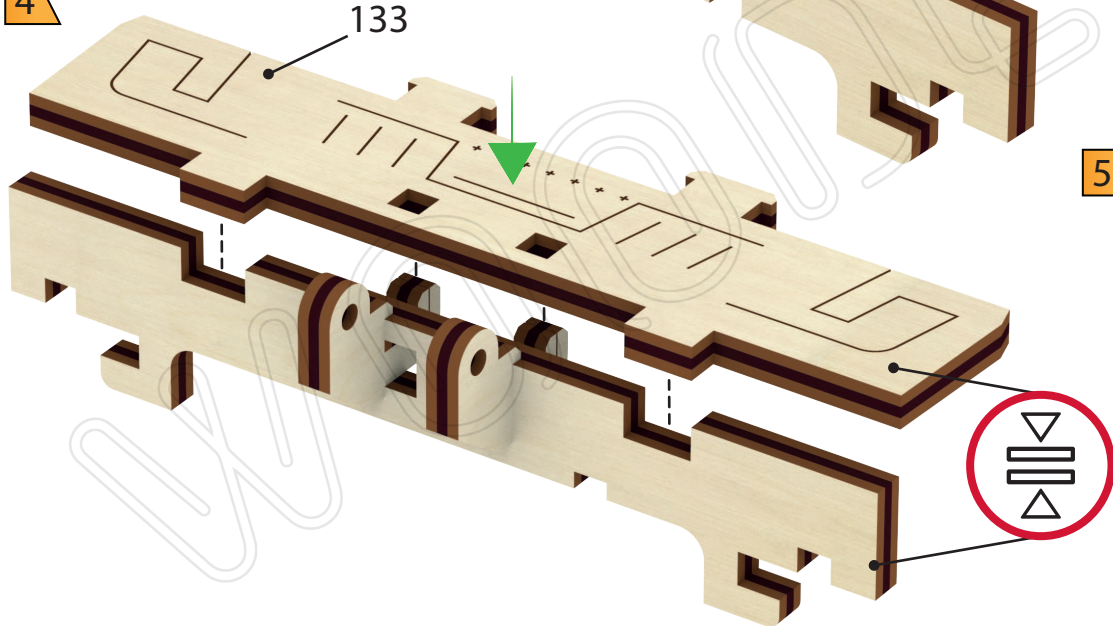
2



3



4



5

