

PLEASE READ THE INSTRUCTION MANUAL BEFORE FIRST USE. KEEP THIS MANUAL SAFE FOR FUTURE REFERENCE!

PRODUCT DESCRIPTION

Fig. 1 – Front view

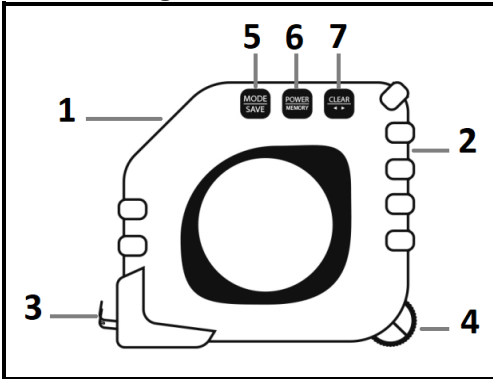


Fig. 2 – Back view

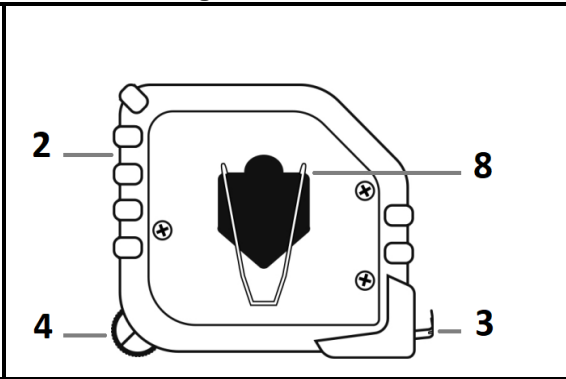


Fig. 3 – Left side

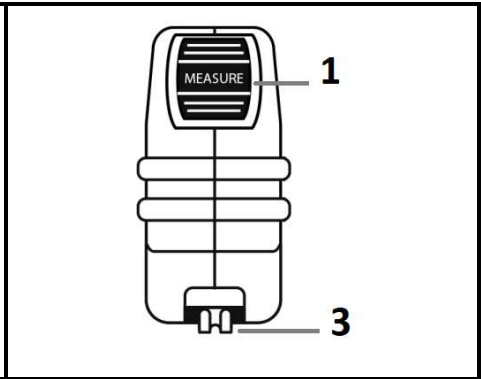
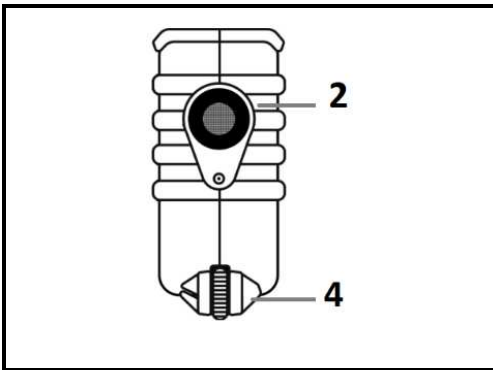


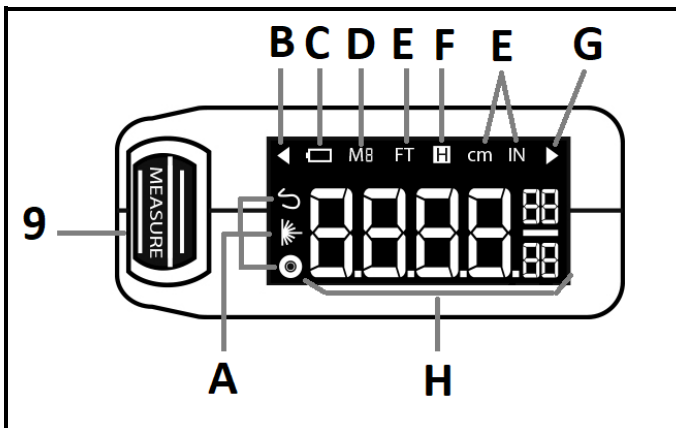
Fig. 4 – Right side



- 1. MEASURE button
- 2. Laser
- 3. Cord
- 4. Roller
- 5. MODE/ SAVE button
- 6. POWER/ MEMORY button
- 7. CLEAR button
- 8. Belt clip

LCD SCREEN DISPLAY

Fig. 5 – Top view



- A. Icons for measure mode : Cord/ Laser/ Roller
- B. Mark for taking a measurement with the cord (left side)
- C. Low battery indicator
- D. Memory
- E. Measurement unit : FT (Feet)/ cm/ IN (Inch)
- F. HOLD button
- G. Mark for taking a measurement with the cord (right side)
- H. Result

TECHNICAL SPECIFICATIONS

POWER : Batteries: 4 x AAA / LR03, 4.5V (not included)

LASER



EN60825-1 : 2014



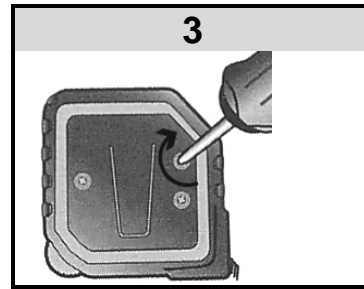
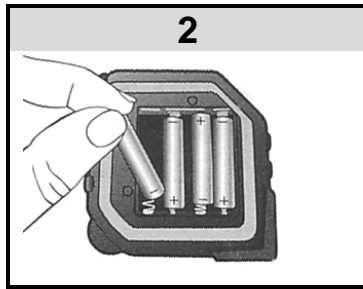
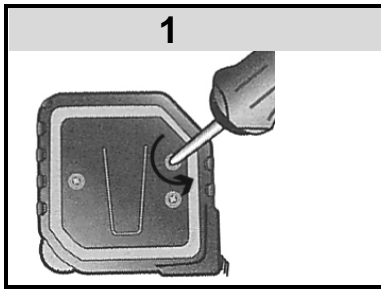
LASER APERTURE

HAZARDOUS EXPOSURE - LASER RADIATION IS EMITTED FROM THIS APERTURE.

WARNINGS - LASER

- DO NOT look into the laser beam neither with the naked eye nor with optical instruments such as binoculars as this may cause eye damage.
- DO NOT point the laser beam toward people, animals, faces or eyes.
- DO NOT direct the laser beam to a reflective surface. Do not operate on or near this type of surface as the laser beam may be projected into your eyes or those of other people.
- DO NOT wear jewelry or reflective materials when using the laser.

BATTERY INSTALLATION



OPERATION

POWER ON

Press power button  to turn on the screen.



SELECTION OF UNIT MEASUREMENT






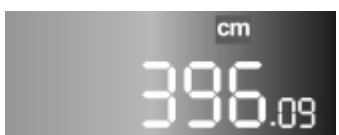


1. Press the  and  buttons at the same time to enter « Unit measurement » mode. See Fig. 6.
2. Press them again at the same time and successively to choose among the different units. See the table below.



Fig.6

SELECTION OF UNIT MEASUREMENT

Imperial system (Feet/ Inches)		
1	Feet and inches with fractions*	
2	Inches with fractions*	
3	Inches with decimals	
Metric system		
4	Centimeters with decimals	

* Note (Imperial system) : In order to get an accurate measurement, the resultat of the decimal is represented with a fraction because of the limited space on the screen. To read the result, you have have to round up. For example, the  reading for is 12.12  or 12.119.

For  the result is 15,938 or 15.94.

POWER OFF



Press and keep the power button maintained for 3 seconds.

NOTE: If no button is pressed after approximately 35 seconds, the display turns off.

MEASUREMENT MODES



After turning on the digital meter, successively press the button until the icon corresponding to the desired measurement mode displays. See table below

Icon	Mode	Types of measurable surfaces
	Cord	Curves, flat or rounded surfaces
	Laser	Distances, walls, ceilings, places hard to reach
	Roller	. Curved surface, irregularly shaped objects, long, flat surfaces.

A. CORD MODE

a) Operation



After selecting the icon , before any measurement, please make sure that the symbol , corresponding to the start mark of the measure, is displayed in order to allow an accurate

measurement. If it is not the case, press button for about 3 seconds until it displays.

1. Pull out the cord until you reach the desired length to measure your surface.
2. Read the measurement displayed on the screen.
3. Release the cord while carefully accompanying to ensure it rewinds properly inside.



b) HOLD function

1. In order to maintain the display of the measurement onto the screen after retracting the cord,

press the button as soon as the result displays and before releasing the cord.

"H" displays when HOLD function is activated.

2. Press again to deactivate it. H » disappears. Reset to zero. See the procedure below.



Note : As the meter is very sensitive, the data corresponding to measurements previously taken or while the cord is retracting may display. Just press **CLEAR** to reset the meter.

c) Reset to zero

Press before reuse the meter.

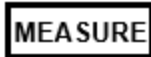

B. LASER MODE



After selecting the icon , please make sure, before any measurement, that the  symbol, corresponding to the start mark of the measure, is displayed in order to get an accurate

measurement. If it is not the case, press  button for about 3 seconds until it displays.

BEFORE USING THE LASER, PLEASE READ AND FOLLOW THE WARNINGS MENTIONED ABOVE.

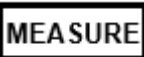
1. Hold the digital meter upright to simulate a flat surface. .
2. Put yourself in front of the object or surface to be measured in order to obtain the most accurate measurement as possible.
3. Point the beam toward the opposite object or surface.
4. Press  button and adjust the pointer's height precisely.
5. Press  to reset to zero.

Do not touch or block the roller during the measurement otherwise the result will not be correct !




C. ROLLER MODE



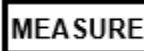
1. Press and hold the  button while rolling the digital meter along the object or surface to be measured.
2. Release the button after the measurement and read the displayed result.

NOTES:

Pause/ resume measurement: Start measuring. Then

hold down the  button. Release it and press again until you have finished the measurement.

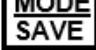
Roll back and forth: If you have gone too far from the exact point to be measured, keep holding the

 button and roll the meter in the opposite direction.



SAVING MEASUREMENTS


1. **SAVE**

In any mode while the result displays, press and hold down the  button for 3 seconds. "M 1" displays.


Notes :

- If data have already been recorded, M will be followed with the digit corresponding to the entry order of this value.
- Once entered the memory mode, the inscription "M" or "M + digit" will remain displayed and you could always take your measurements and save them.
- To remove this inscription, turn off and then turn on your meter.

2. **VIEWING THE DATA (Viewing history)**

1. Press the  button to see your saved measurements.



2. Press the  button successively to scroll through all your saved measurements.
Maximum number of savings: 8 - M1 to M8

- **Once the capacity of the memory is reached (8 entries), the oldest value will be automatically erased and replaced with the new measurement which will be saved.**
- **If you turn off your meter, all data will be erased when you turn it on again.**



3. **DELETION**

Turn off the digital meter and turn it on again. All your saved data will be deleted and will no longer be displayed.

WARNINGS

1. Do not use the device for anything other than its intended use.
2. Do not subject to shocks or violent impacts.
3. Do not drop, short-circuit, modify, disassemble or puncture it.

4. This device is not designed to be used by persons (including children) with limited physical, sensory or mental abilities, or by persons with insufficient experience and/or knowledge, unless under observation by a person responsible for their safety, or unless they have been instructed in the use of the device.
5. It is not a toy. Keep out of reach of children. Children should be supervised to ensure that they will not play with the product.
6. Do not operate it under high temperature.
7. Do not immerse in water.
8. Do not try to repair your device. All the repairs must be made by a qualified technician.

WARNINGS ON BATTERIES

- Please remove the batteries if you plan not to use the device for a long time.
- Never mix alkaline, standard (carbon-zinc) and rechargeable (nickel hydride).
- Don't mix new and used batteries.
- Don't attempt to recharge non-rechargeable batteries.
- Remove rechargeable batteries from the device (if possible) before charging them.
- Rechargeable batteries must always be recharged under adult supervision.
- Remove used batteries.
- Never short the power supply terminals.
- Always use the recommended or equivalent battery types.
- Always pay attention to battery polarity.

CLEANING AND MAINTENANCE

- Ne pas immerger dans l'eau or any other liquids.
- Clean with a dry, soft, lint-free cloth.
- Keep away from sources of heat, direct sunlight, humidity, water or other liquids.
- Store in a cool, dry and well-ventilated area.

WARNING: You should not dispose of this device with your household waste. A selective collection system for this type of product is implemented by your local authorities. Please contact your local authorities to find out how and where collection takes place. These restrictions apply because electrical and electronic devices contain dangerous substances that have harmful effects on the environment or on human health and must be recycled.

This symbol indicates that electrical and electronic devices are collected selectively. The symbol shows a waste container crossed out with an X symbol.

Imported by PRODIS SAS, 1 rue de Rome, 93110 Rosny-sous-Bois, France/ Made in PRC

Marketed by EUROTOPS VERSAND GMBH D-40764 LANGENFELD, Germany

