



ITEM NO. KM 2060A

Autoloading Ratchet Screwdriver



FEATURES

- Magnetic bit holder
- 3-way ratchet functionality
- Simply changing the bits in 3 steps



6.35 mm

ITEM NO. KM 2060A

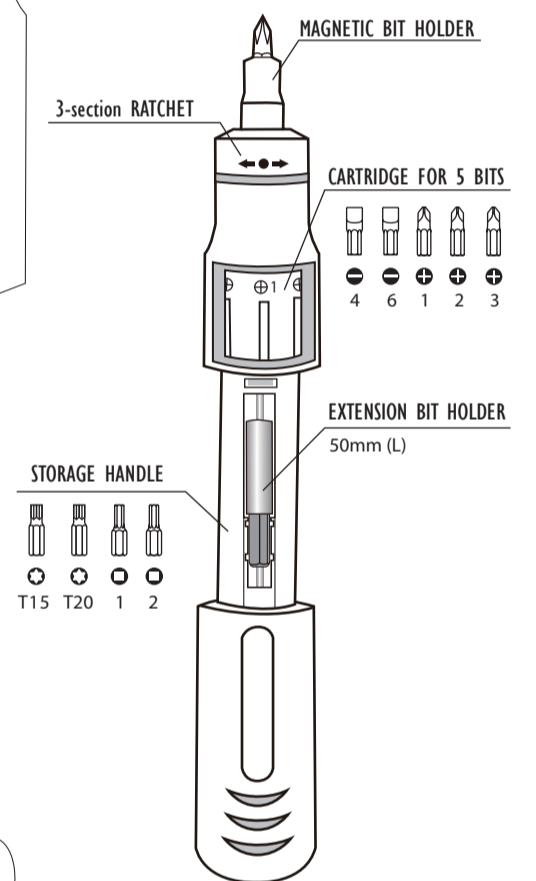
10 IN 1



Autoloading Ratchet Screwdriver

CONTENTS

The 10 in 1 ratchet screwdriver contains 9 different bits for standard bit holders 4".



CAUTION

Please read the instructions and keep out of reach of children. Any damage or accidents due to misuse of product will not be obligated to the manufacturer.

PLEASE RECYCLE
MADE IN TAIWAN

30x40mm