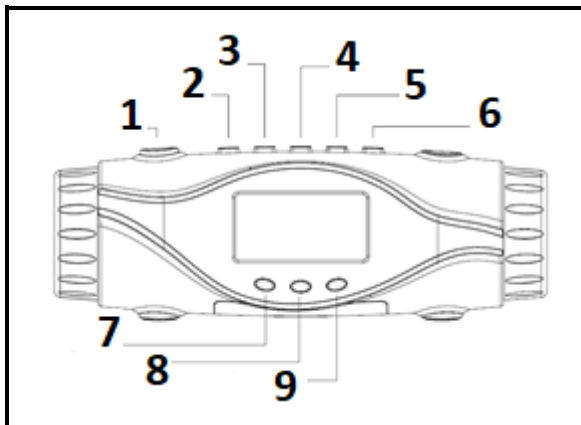


Clock with Torch Light and Radio

INSTRUCTION MANUAL

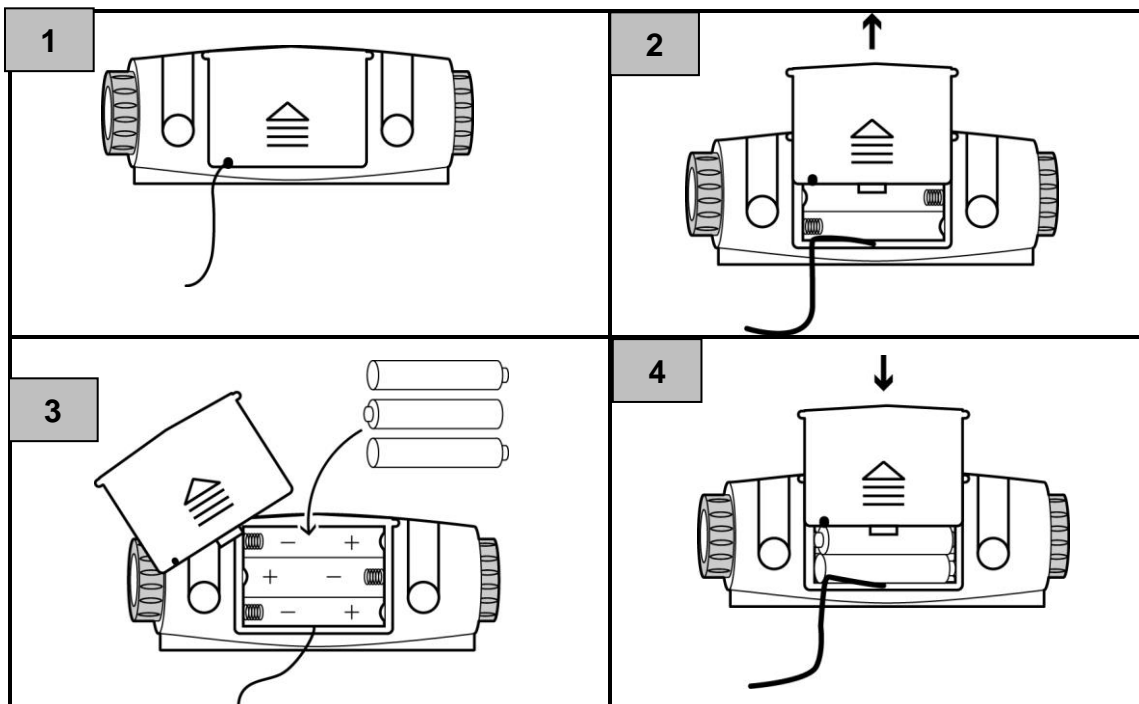
PLEASE READ THE MANUAL BEFORE YOUR FIRST USE. KEEP THIS MANUAL SAFE FOR FUTURE REFERENCE!

PRODUCT DESCRIPTION



1. Torch Light button
2. ON/ OFF button
3. UP button
4. Down button
5. Increasing the volume (VOL+)
6. Decreasing the volume (VOL-)
7. MODE button
8. SET button
9. Backlight

BATTERY INSTALLATION



Technical specifications

Battery type: 3XAAA/LR03 (not supplied) 4.5V==

Frequency band: 87.5 - 108MHZ

FUNCTIONS DESCRIPTION

Insert battery, the unit enters "Normal time display" under 12 hours format. Press MODE to toggle between different functions:

Normal time display → Alarm → Month and day setting → Second



```
graph LR; A[Normal time display] --> B[Alarm]; B --> C[Month and day setting]; C --> D[Second]; D --> A;
```

NOTE:

- The symbol **:** between hour digit and second digit will flash all the time under normal time display and time setting mode.
- When the **AL** word display, the symbol **:** between hour digit and second digit will stop flashing.
- Under the **Alarm display MODE**, if no button is pressed, it will go back the normal time display in 3 seconds.
- Under the **Month and day display MODE**, if no button is pressed, it will go on the **MODE Second** in 3 seconds.

Alarm setting

Under the normal time display:

1. Press **SET** button to enter setting mode, the hour and minute digits flash.
2. Press **MODE** button as many times as necessary to activate/ deactivate the alarm and the chime: Alarm symbol  and chime symbol  will be displayed under activation and disappear under deactivation.
3. Press **SET** button: the hour digit flashes. Press **MODE** to adjust the value, press **SET** to confirm and enter setting mode of minute: the minute digit flashes.

NOTE: In 12 hour format, make sure to set the time on the correct section of the day: AM (for morning) or PM (for afternoon).

4. Press **MODE** to adjust the value.
5. Press **SET** to exit and go back to normal time display.

*Note: If not need to set Alarm, press SET to switch to the date and month.

NOTE:

To stop alarm, press on **MODE** or **SET** button.

Day and month and time setting

Under normal time display, press SET 4 times to enter the setting mode of day, month and time.

1. Press Mode button to adjust the value.
2. Press SET to confirm and switch to the other setting value.

Note: The setting sequence is as follows: **Day/ Month/ Time**.

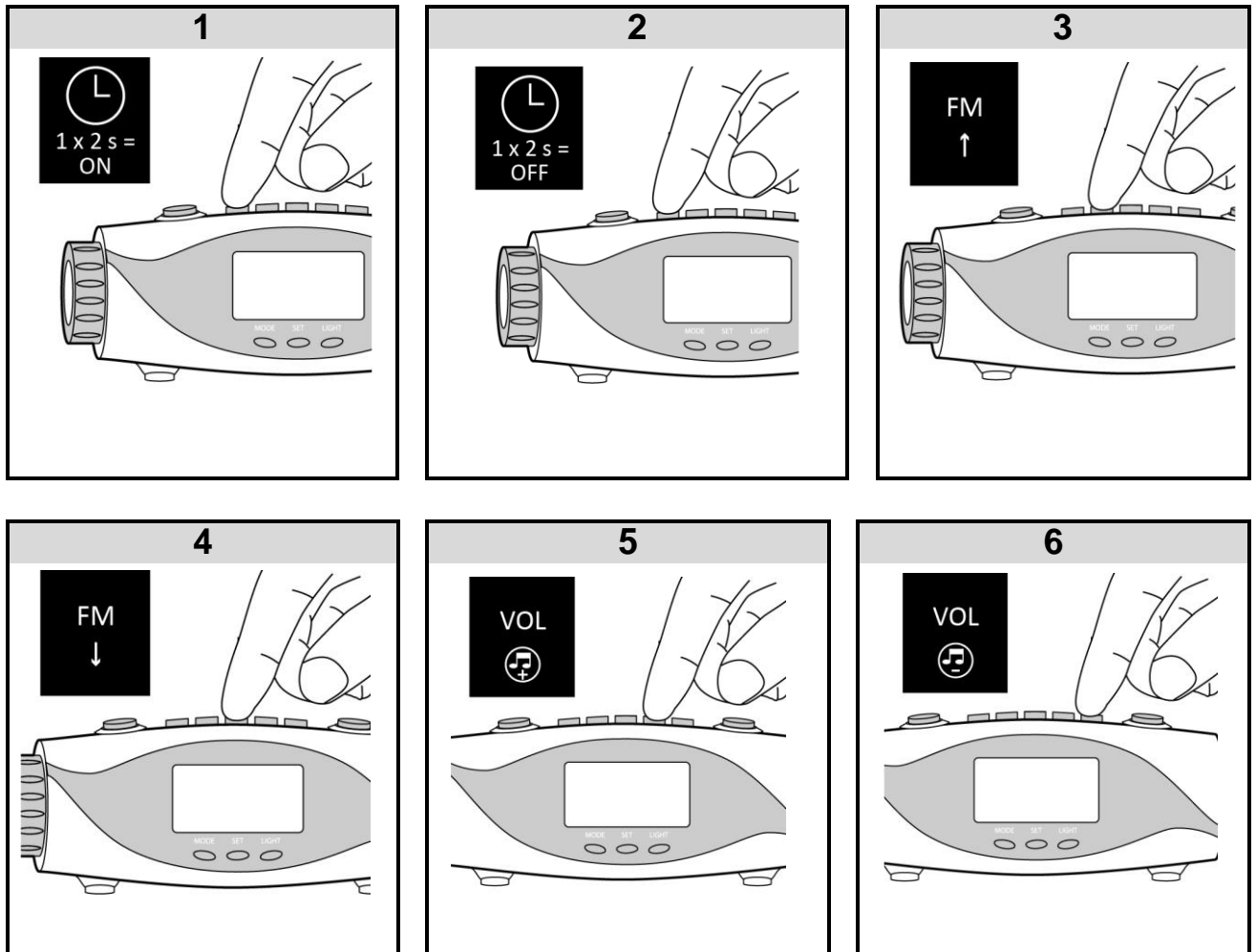
3. After finished setting the minute digit, the symbol **:** between hour digit and minute digit will stop flashing.
4. Press MODE to exit and go back to normal time display: the symbol **:** between hour digit and second digit will start flashing.

Note: In order to select 24-hour format, keep pressing MODE during the setting of hour. Refer to the letter at the right side to know on which hour format you are: "H" stands for 24-hour format, and "A" and "P" for 12-hour format.

Second setting

Under normal time display, press MODE 3 times to enter the second setting mode, and press SET to reset to zero.

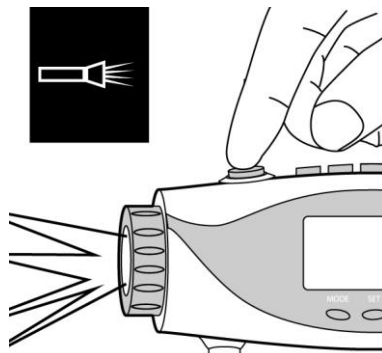
FM radio Setting



Setting Torch Light

Press and hold the button to turn on the flashlight.

Release the button to turn it off.



Backlight

- Pressing button **(9)** to turn on the backlight for 5-7 seconds.

WARNINGS

- Keep away from sources of heat, direct sunlight, humidity, water or other liquids.
- Do not immerse in water.
- Do not subject it to strong impacts and do not throw it.
- Do not drop, short-circuit, modify, disassemble or puncture it.
- It is not a toy. Keep out of reach of children.
- Remove the batteries if you plan not to use the radio during a long period.
- Do not try to repair your radio. All the repairs must be made by a qualified technician.
- If the quality of reception is bad, please unfold the cable.
- If the sound becomes dim, please replace with new batteries.

SAFE INSTRUCTIONS FOR BATTERY

- Never mix alkaline, standard (carbon-zinc) and rechargeable (nickel hydride).
- Don't mix new and used batteries.
- Don't attempt to recharge non-rechargeable batteries.
- Remove rechargeable batteries from the device (if possible) before charging them.
- Rechargeable batteries must always be recharged under adult supervision.
- Remove used batteries.
- Never short the power supply terminals.
- Always use the recommended or equivalent battery types.
- Always pay attention to battery polarity.



WARNING: You should not dispose of this device with your household waste. A selective collection system for this type of product is implemented by your local authorities. Please contact your local authorities to find out how and where collection takes place. These restrictions apply because electrical and electronic devices contain dangerous substances that have harmful effects on the environment or on human health and must be recycled.

This symbol indicates that electrical and electronic devices are collected selectively. The symbol shows a waste container crossed out with an X symbol.

**Imported by PRODIS SAS, 1 rue de Rome, 93110 Rosny-sous-Bois, France
Marketed by EUROTOPS VERSAND GMBH D-40764 LANGENFELD, Germany
Made in PRC**

