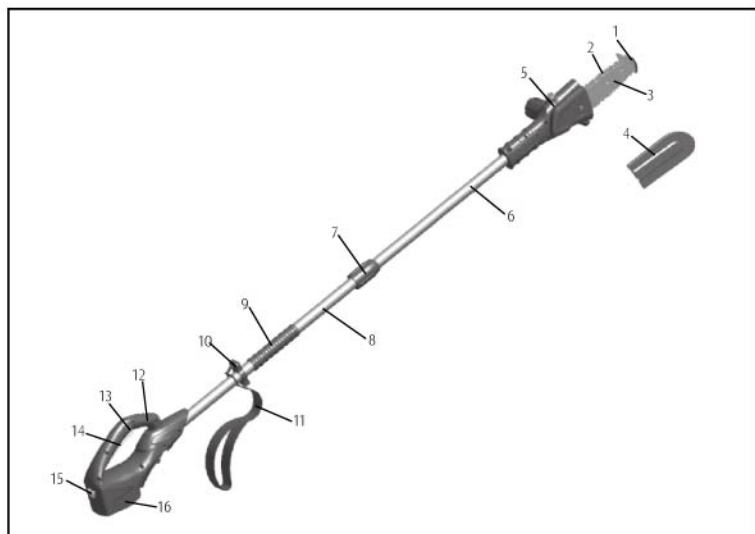


CORDLESS POLE SAW**CONTENTS:**

1.Head Protection	2.Saw Chain	3. Guide Bar
4. Scabbard	5. Power Head	6.Former Pole
7.Locking Knob	8.Under pole	9.Grip Area
10.Buckle 11.Strap	12.Handle	13.Lock-off button
14.On/off switch	15.Battery Release Button	16. Battery

Technical data

Type:	M0L-3ET-150
Voltage:	DC 18 V
Length:	2.7m (1.8m + 0.9m tube for extension)
Weight:	3.6 kg
Speed:	2,5m/s
No Load power (Average)	120W
The capability of the oil tank:	100ml
Maximum cutting length:	150mm
No-load Speed:	1400rpm
Battery type:	Lithium-ion
Battery capacity:	1.3Ah
Battery charging time:	About 4 hours
Sound power level LWA:	96dB (A)

Explanation of Symbols on your product



They do not allow the unit to rain



Read this manual thoroughly, before you use



Read the user manual before using the device



Always wear a helmet, goggles and ear protection



Risk of fatal electric shock. At least 10m distance from overhead lines to keep



DANGER Do not put the device on when there are children, people or pets in the area.



They carry gloves to protect their hands.



Safety shoes they wear, to be protected against short circuits.



Should your machine need replacement after extended use, do not put in the domestic waste but dispose of it in an environmentally safe way.

GENERAL SAFETY INSTRUCTIONS

WARNING Read all safety warnings and all instructions. Failure to follow the warnings and instructions may result in electric shock, fire and/or serious injury.

Save all warnings and instructions for future reference.

The term "power tool" in the warnings refers to your mains-operated (corded) power tool or Battery-operated power tool.

1) Work area safety

a) **Keep work area clean and well lit.** Cluttered or dark areas invite accidents.

b) **Do not operate power tools in explosive atmospheres, such as in the presence of flammable liquids, gases or dust.** Power tools create sparks which may ignite the dust or fumes.

c) **Keep children and bystanders away while operating a power tool.** *Distractions can cause you to lose control.*

2) Electrical safety

a) **Power tool plugs must match the outlet. Never modify the plug in any way. Do not use any adapter plugs with earthed (grounded) power tools.** *Unmodified plugs and matching outlets will reduce risk of electric shock.*

b) **Avoid body contact with earthed or grounded surfaces, such as pipes, radiators, ranges and refrigerators.** *There is an increased risk of electric shock if your body is earthed or grounded.*

c) **Do not expose power tools to rain or wet conditions.** *Water entering a power tool will increase the risk of electric shock.*

d) **Do not abuse the cord. Never use the cord for carrying, pulling or unplugging the power tool. Keep cord away from heat, oil, sharp edges or moving parts.** *Damaged or entangled cords increase the risk of electric shock.*

e) **When operating a power tool outdoors, use an extension cord suitable for outdoor use.** *Use of a cord suitable for outdoor use reduces the risk of electric shock.*

f) **If operating a power tool in a damp location is unavoidable, use a residual current device (RCD) protected supply.** *Use of an RCD reduces the risk of electric shock.* NOTE The term “residual current device (RCD)” may be replaced by the term “ground fault circuit interrupter (GFCI)” or “earth leakage circuit breaker (ELCB)”.

3) Personal safety

a) **Stay alert, watch what you are doing and use common sense when operating a power tool. Do not use a power tool while you are tired or under the influence of drugs, alcohol or medication.** *A moment of inattention while operating power tools may result in serious personal injury.*

b) **Use personal protective equipment. Always wear eye protection.** *Protective equipment such as dust mask, non-skid safety shoes, hard hat, or hearing protection used for appropriate conditions will reduce personal injuries.*

c) **Prevent unintentional starting. Ensure the switch is in the off-position before connecting to power source and/or battery pack, picking up or carrying the tool.** *Carrying power tools with your finger on the switch or energising power tools that have the switch on invites accidents.*

d) **Remove any adjusting key or wrench before turning the power tool on.** *A wrench or a key left attached to a rotating part of the power tool may result in personal injury.*

e) **Do not overreach. Keep proper footing and balance at all times.** *This enables better control of the power tool in unexpected situations.*

f) **Dress properly. Do not wear loose clothing or jewellery. Keep your hair, clothing and gloves away from moving parts.** *Loose clothes, jewellery or long hair can be caught in moving parts.*

g) **If devices are provided for the connection of dust extraction and collection facilities, ensure these are connected and properly used.** *Use of dust collection can reduce dust-related hazards.*

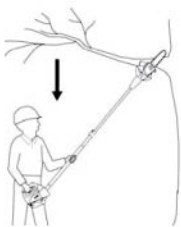
4) Power tool use and care

- a) **Do not force the power tool. Use the correct power tool for your application.** *The correct power tool will do the job better and safer at the rate for which it was designed.*
- b) **Do not use the power tool if the switch does not turn it on and off.** *Any power tool that cannot be controlled with the switch is dangerous and must be repaired.*
- c) **Disconnect the plug from the power source and/or the battery pack from the power tool before making any adjustments, changing accessories, or storing power tools.** *Such preventive safety measures reduce the risk of starting the power tool accidentally.*
- d) **Store idle power tools out of the reach of children and do not allow persons unfamiliar with the power tool or these instructions to operate the power tool.** *Power tools are dangerous in the hands of untrained users.*
- e) **Maintain power tools. Check for misalignment or binding of moving parts, breakage of parts and any other condition that may affect the power tool's operation. If damaged, have the power tool repaired before use.** *Many accidents are caused by poorly maintained power tools.*
- f) **Keep cutting tools sharp and clean.** *Properly maintained cutting tools with sharp cutting edges are less likely to bind and are easier to control.*
- g) **Use the power tool, accessories and tool bits etc. in accordance with these instructions, taking into account the working conditions and the work to be performed.** *Use of the power tool for operations different from those intended could result in a hazardous situation.*

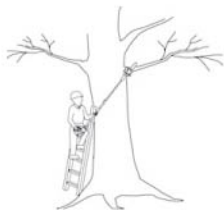
5) Battery tool use and care

- a) **Recharge only with the charger specified by the manufacturer.** *A charger that is suitable for one type of battery pack may create a risk of fire when used with another battery pack.*
 - b) **Use power tools only with specifically designated battery packs.** *Use of any other battery packs may create a risk of injury and fire.*
 - c) **When battery pack is not in use, keep it away from other metal objects, like paper clips, coins, keys, nails, screws or other small metal objects, that can make a connection from one terminal to another.** *Shorting the battery terminals together may cause burns or a fire.*
 - d) **Under abusive conditions, liquid may be ejected from the battery; avoid contact. If contact accidentally occurs, flush with water. If liquid contacts eyes, additionally seek medical help.** *Liquid ejected from the battery may cause irritation or burns.*
- #### 6) Service
- a) **Have your power tool serviced by a qualified repair person using only identical replacement parts.** *This will ensure that the safety of the power tool is maintained.*
- #### 7) Storage
- a) use of transport guard during transport and storage
 - b) cleaning and maintenance before storage
 - c) securing of the unit during transport to prevent loss of fuel, damage or injury

POLE SAW TRIMMING PRECAUTIONS



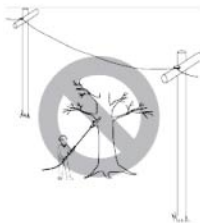
Never stand directly under the limb you are trimming. Always position yourself out of the path of falling debris.



Never stand on a ladder or other type of unstable support while using the Pole saw. Always use both hands to operate pole saw. Keep a firm, steady pressure on the pole saw while cutting but do not try to force the saw through the wood. Do not use the pole saw to cut limbs larger in diameter than the length of the guide bar.



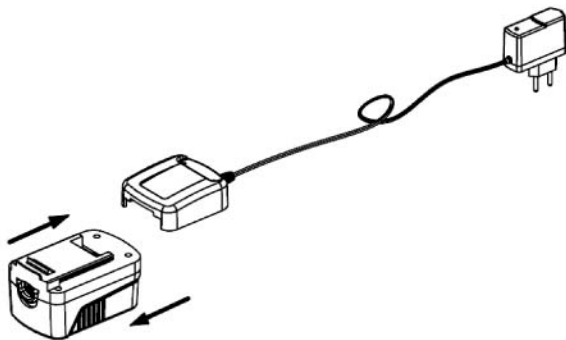
Keep other persons away from cutting end of pole saw and at a safe distance from work area.



Do not use pole saw near cable, electric power or telephone lines. Maintain a minimum clearance of 10 feet from all power lines.

CHARGING BATTERY (Fig.1)

The battery pack is not fully charged at the factory. Before attempting to charge the battery pack, thoroughly read all Safety Instructions.

**Fig.1**

1. Plug cord from the charger into charger base. (IMPORTANT: do not use any other charger, only use the product comes with a charger)
2. Plug the charger into an appropriate AC power outlet. The LED light of the charger turns green indicating that the charger is ready for use. (IMPORTANT: Do not charge by means of an engine generator or DC power source.)
3. Slide the charger base onto the battery pack. The LED light turns red, telling the battery is on charge. Let battery charge up to full.
4. The battery pack will be fully charged in about 4 hours. And the LED lights green again to tell you that the battery pack is fully charged.
5. Unplug charger. Remove the charger by sliding off. (See Fig.1)
6. Place the battery pack in the tool and be certain that it is inserted fully into the tool cavity until it “clicks” into place.

IMPORTANT CHARGING NOTES

1. After normal usage, your battery pack should be fully charged in about 4 hours. Allow the battery to cool down before charging after using the saw. (NOTE: A hot battery placed in the charger will not charge)
2. DO NOT charge the battery pack in an air temperature below 40°F (4.5 °C) or above 105°F (40.5 °C). This is important and will prevent serious damage to the battery pack. Longest life and best performance can be obtained if battery pack is charged when air temperature is about 75°F (24°C).
3. While charging, the charger may hum and become warm to touch. This is a normal condition and does not indicate a problem.
4. If the battery pack does not charge properly
 - Check current at receptacle by plugging in a lamp or other appliance.
 - Check to see if receptacle is connected to a light switch which turns power off when you turn out the lights.
 - Move charger and battery pack to a surrounding air temperature of 40°F (4.5°C) to 105°F (40.5 °C)

5. The battery pack need to be charged before first using and should be recharged when it fails to produce sufficient power on jobs which were easily done previously. DO NOT CONTINUE using this product with its battery pack in a depleted condition. (NOTE: After several charge and discharge cycles, the battery will attain full capacity.)

6. To prolong battery life, avoid leaving the battery pack on charger for extended periods of time (over 30 days without use). Although overcharging is not a safety concern, it can significantly reduce overall battery life.

7. The battery pack will reach optimum performance after being cycled 5 times during normal usage. There is no need to run the batteries down completely before recharging. Normal usage is the best method of discharging and recharging the batteries.

Additional safety instructions for battery and charger

Battery

- Never attempt to open for any reason
- Do not expose to water
- Do not incinerate the battery pack even if it is severely damaged or is completely worn out. The battery pack can explode in a fire.
- Do not store in locations where the temperature may exceed 40°C
- Do not leave the battery pack in the charger when the charging is finished, otherwise battery leakage may occur.
- Charge only at room temperature.
- Charge only at using the charger provided with the tool (see technical data)
- Before charging , make sure that the battery is dry and clean.
- Use only the correct type of battery for the tool(see technical data).
- When dispose of batteries follow the instructions given in the section "protecting the environment".
- Under extreme conditions ,battery leakage may occur .When you notice liquid on the battery, proceed as follows:
 - Carefully wipe the liquid off using a cloth. Avoid skin contact.
 - In case of skin or eye contact, follow the instructions below.

The battery fluid, a 25-30% solution of potassium hydroxide, can be harmful. In case of skin contact, immediately rinse with water. Neutralize with a mild acid such as lemon juice or vinegar. In case of eye contact, rinse abundantly with clean water for at least 10 minutes. Consult a physician.

NOTE: The batteries in your battery pack are the Lithium-Ion type. Do not dispose of battery packs/batteries into household waste, fire or water. Battery packs/batteries should be collected, recycled or disposed of in an environmental-friendly manner.

Charger

- **Charger's plug must match the outlet. Never modify the plug in any way.** Unmodified plugs and matching outlets will reduce risk of electric shock.
- Use your charger only to charge batteries of the type supplied with your tool. Other batteries could burst, causing personal injury and damage.

- Only 2 battery packs is allowed to be charged continuously in order to prevent overheating of charger, necessary rest time is required to let the charger cool down before further charging.
- When charging is finished, unplug the charger from mains socket outlet and take away the battery pack from the charger, do not leave the battery pack in the charger.
- Never carry the charger by its cord or pull it to disconnect from the socket. Keep the cord away from heat, oil and sharp edges.
- Never attempt to charge non-rechargeable batteries.
- The cord of charger is not changeable, do not continue to use if the cord is damaged.
- Do not expose to water or rain, do not use in wet condition.
- Do not open the charger.
- Do not probe the charger.
- Intended for indoor use only

POLE SAW INFORMATION ON OPERATION



Fig.2

1. Insert/remove the battery pack (See Fig.2)

- Always release the On/Off switch (2) before insertion or removal of the battery pack.
- To remove the battery pack, withdraw it from the tool while pulling the Battery Release Button (3) down.
- To insert the battery pack, groove along the handle and insert in the full position, until the Battery Release Button (3) bounce back to normal position again.

2. How to switch on or switch off? (See Fig.2)

To **start** the machine, press the Lock-off button (1) and then the On/Off switch (2) at the same time. When the machine is running, the Lock-off button (1) can be released again.

To **switch off** the machine, release the On/Off switch (2). The machine will stop.

POLE SAW ASSEMBLY

(WARNING: Cutting edges on chain are sharp. Use protective gloves when handling chain.)

1. Remove battery from chain saw.
2. With a chain saw to the head of Former pole plug in Under pole with a handle
(IMPORTANT: When inserted, the arrow 1 would have to target the arrow 2, and must be inserted in the end(See Fig.3)

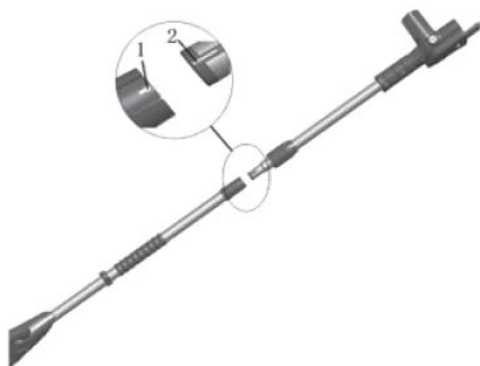


Fig.3

3. With the locking knob lock pole joints. (IMPORTANT: Must not move until the rotation to the rotation) (See Fig.4)



Fig.4

4. Buckle strap (See Fig.5)



Fig.5

5. The oiler inside the oil into the pole saw's fuel tank. (IMPORTANT: Fill up, you must tighten cap) (See Fig.6)

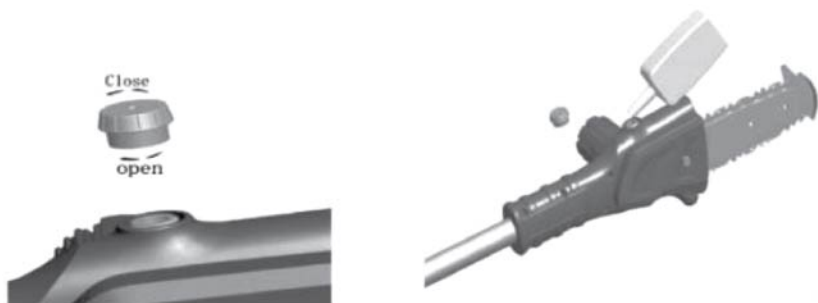


Fig.6

6. Slide battery onto main handle until release buttons "snap" together. (Note: Fully charge battery before using for first time.) (See Fig.7)



Fig.7

SAW CHAIN TENSION

WARNING: Remove battery from pole saw before servicing. Severe injury or death could occur from body contact with moving chain.

WARNING: Cutting edges on chain are sharp. Use protective gloves when handling chain.

WARNING: When cleaning saw body,

- do not submerge saw in any liquids
- do not use products that contain ammonia, chlorine, or abrasives
- do not use chlorinated cleaning solvents, carbon tetrachloride, kerosene, or gasoline

(Note: The saw chain tension is properly set at the factory. A new chain will stretch. Check new chain tension frequently (after disconnecting battery) during the first 2 hours of operation. Allow chain to cool down. Follow steps below to check saw chain tension.)

1. Remove battery from chain saw.
2. Place chain saw on a firm surface to check chain tension.
3. Pull chain with light force 1/8" away from bottom of guide bar and release (See Fig 8). If chain lightly snaps back into place, tension is correct. A slight sag (1/16" or less) between chain and bottom of guide bar is acceptable.

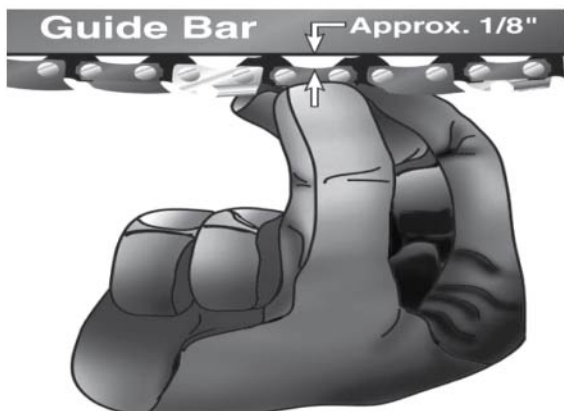


Fig.8

Saw Chain Tension Adjustment

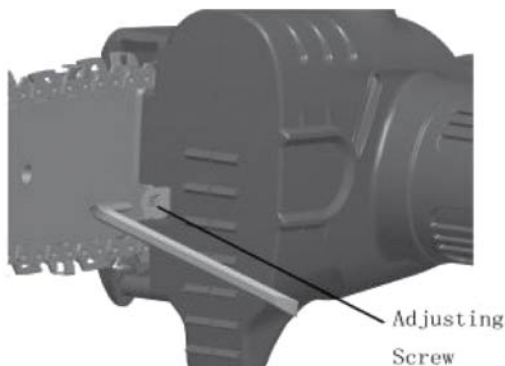
1. Loosen guide bar screw before adjusting chain. (See Fig 9)



Guide Bar Screw

Fig.9

2. Turn adjusting screw on front of power head clockwise until slack is out of chain.
(See Fig 10)

Adjusting
Screw**Fig.10**

3. Wearing protective gloves, pull down on chain to check chain tension
4. Do not over-tension chain. Over-tensioning will cause excessive wear and will reduce the life of the guide bar and chain. Over-tensioning also reduces the amount of cuts per battery charge.
5. After chain tension is correct, tighten guide bar screw firmly. (See Fig 11)



Guide Bar Screw

Fig. 11**Fig. 12**

CUTTING WITH THE CHAIN SAW

1. The pole saw's fuel tank fill up
2. Attach battery to saw.
3. Use both hands to grip pole saw. Use designated grip areas and strap when operating pole saw. (See Fig.12) Use firm grip. Thumbs and fingers must wrap around pole saw handle and pole.
4. Make sure your footing is firm. Keep feet apart. Divide your weight evenly on both feet.
5. When ready to make a cut, press in trigger lockout and squeeze trigger. This will turn pole saw on. Releasing trigger will turn pole saw off. Make sure saw is running before starting a cut.
6. When starting a cut, place moving chain against wood. Hold pole saw firmly in place to avoid possible bouncing or skating (sideways movement) of saw.
7. Remove pole saw from a cut with saw running at full speed. Stop pole saw by releasing trigger. Make sure chain has stopped before setting pole saw down.

CLEANING AND MAINTENANCE

CLEANING SAW BODY

Keep saw body clean. Use a soft cloth dampened with a mild soap and water mixture. Wipe saw body to clean.

CARE OF GUIDE BAR

Uneven bar wear causes most guide bar problems. Incorrect sharpening of chain cutter and depth gauge settings often cause this. When bar wears unevenly, it widens guide bar groove (See Fig.13). This causes chain clatter and rivet popping. Saw will not cut straight. Replace guide bar if this occurs.

Inspect guide bar before sharpening chain. A worn or damaged guide bar is unsafe. A worn or damaged guide bar will damage chain. It will also make cutting harder.

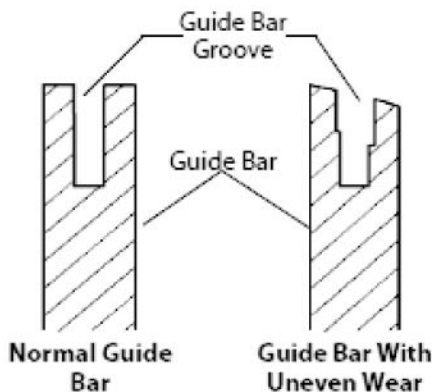


Fig.13

Normal Guide Bar Maintenance

1. Remove guide bar from chain saw.
2. Remove sawdust from guide bar groove periodically. Use putty knife or wire (See Fig.14).
3. Clean oil slots after each day of use.
4. Remove burrs from sides of guide bar. Use fl at file to make side edges square.

Replace guide bar when

- bar is bent or cracked
- inside groove of bar is badly worn

(Note: When replacing guide bar, see Replacement Parts and Accessories for replacement information. See Parts List for correct bar.)

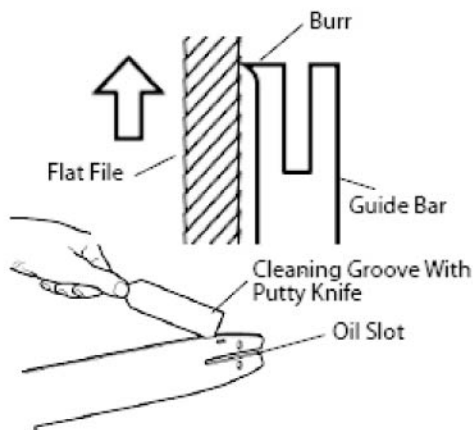


Fig.14

SHARPENING SAW CHAIN

Keep chain sharp. Your saw will cut faster and more safely. A dull chain will cause undue sprocket, guide bar, chain, and motor wear. If you must force chain into wood and cutting creates only sawdust with few large chips, chain is dull.

Items Needed to Sharpen Chain

Purchase these items from your local dealer, hardware store, or pole saw supplies outlet.

- 5/32" round file
- Depth gauge tool
- File guide
- Vise
- Medium sized flat file

Sharpening Cutters

Use file guide for 30° filing.

1. Adjust chain for proper tension.
2. Clamp guide bar in vise to hold saw steady. (Note: Do not clamp chain.)

3. Press 5/32" round file (attached to file guide) into groove between top plate and depth gauge on chain. File guide should rest on both top plate and depth gauge (See Fig.15). (Note: File at midpoint of guide bar.)

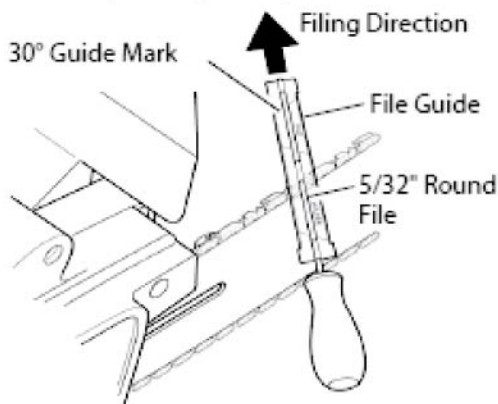


Fig.15

Note: This illustration shows file guide placement and filing direction for sharpening cutters on left side of chain.

4. Hold file guide level. Make sure 30° mark on file guide is parallel to center of guide bar (See Fig.16). This will insure that you file cutters at 30° angle.

5. File from inside towards outside of cutter until sharp. Only file in this one direction (See Fig.16). (Note: Two or three strokes with file should sharpen cutter.)

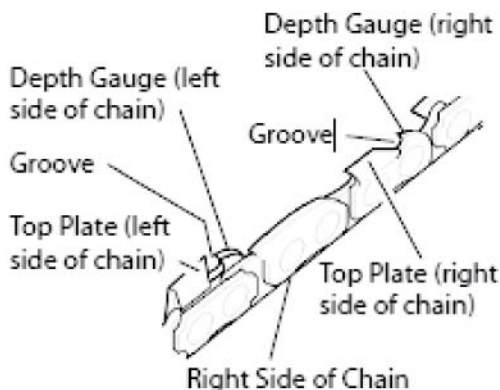


Fig.16

Filing Cutter Depth Gauges

The cutter depth gauge clearance is reduced as cutters are sharpened. After every second or third sharpening, reset cutter depth gauges.

1. Place depth gauge tool (.025") firmly across top of two cutters. Make sure depth gauge enters slot in depth gauge tool (See Fig.17).

2. Use medium flat file. File depth gauge level with depth gauge tool.

3. Remove depth gauge tool. With flat file, round off front corner of cutter depth gauge (See Fig.18). After several hand filings, have authorized service center or sharpening service machine sharpen chain. This will insure even filing.

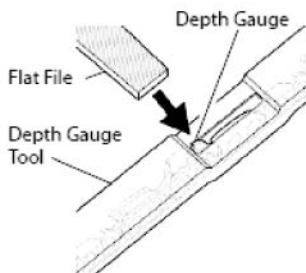


Fig.17

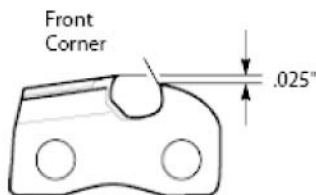


Fig.18

REPLACING SAW CHAIN

IMPORTANT: Do not clamp chainsaw in vise to replace saw chain or guide bar.

Replace chain when cutters are too worn to sharpen or when chain breaks. Only use replacement chain noted in this manual. Always include new drive sprocket when replacing chain. This will maintain proper driving of chain. (Note: For proper chain and drive sprocket, see Parts List.)

Refer to Figure 19 while completing the following steps.

1. Loosen and remove guide bar screw.
2. Remove sprocket cover.
3. Remove saw chain.
4. Place new chain around drive sprocket, along top groove of guide bar, and around guide bar nose. Note: Make sure cutting edges of chain are facing in right direction. Position chain so cutting edges on top of guide bar face guide bar nose (See Fig 20 and indicator on side cover of saw).
5. Before placing sprocket cover into Positioning groove, verify that the adjusting nib is in the adjusting hole on the guide bar.
6. Place sprocket cover into Positioning groove.
7. Locking the sprocket cover with guide bar screw. (IMPORTANT: Finger tighten only.)
8. Adjust chain tension.
9. Securely tighten guide bar screw with Hexagon wrench.

CAUTION: Do not place chain on saw backwards. If chain is backwards, saw will vibrate badly and will not cut.

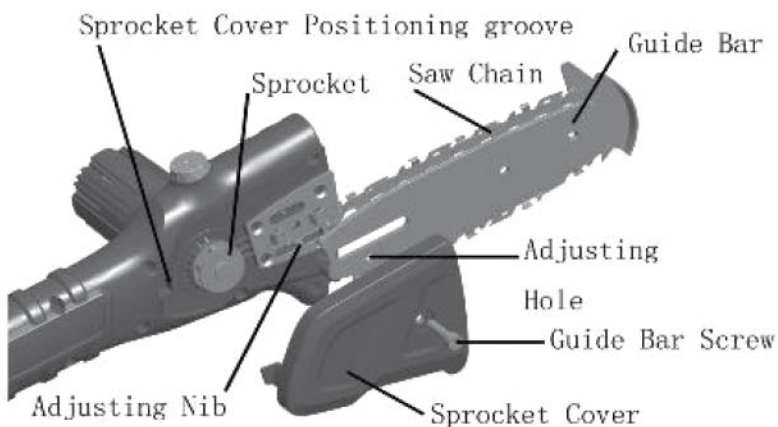


Fig.19



Fig.20

STORAGE

If storing saw for more than 30 days, follow steps below.

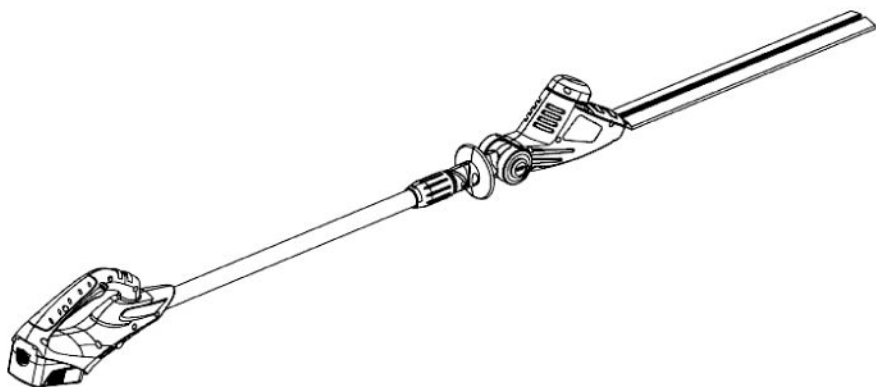
1. Remove battery from chain saw.
2. Charge battery completely. (Note: It could take up to 4 hours to completely charge the battery.)
3. When battery is completely charged, remove from charger and put protective cap on battery terminals.

IMPORTANT: To prolong battery life, avoid leaving battery on charger for extended periods of time (over 30 days without use).

4. Remove and clean guide bar and chain. Clean guide bar and chain by soaking in petroleum based solvent or mild soap and water mixture.

5. Dry guide bar and chain.
6. Place chain in container filled with oil. This will prevent rust.
7. Wipe a thin coating of oil over surface of guide bar.
8. Wipe off outside of saw body. Do this with soft cloth dampened with a mild soap and water mixture.
9. Store chain saw and battery
 - in a high or locked place, out of children's reach
 - in a dry place
 - in a carrying case or with scabbard over guide bar

CORDLESS POLE HEDGE TRIMMER



INTENDED USE

Your hedge trimmer has been designed for trimming hedges, shrubs and brambles, not to be used for any other purpose. This tool is intended for consumer use only.

TECHNICAL DATA

Type	M0E-7ET-460
Voltage	18VDC
Blade strokes (no load)	1400 /min
No Load power(Average)	70W
Blade length	460mm
Blade gap	14mm
Blade brake time	<1S
Battery type	Lithium-ion
Battery capacity	1.3Ah
Battery charging time	Approx. 4 hours
Sound power level LWA	101dB (A)

SAFETY INSTRUCTIONS FOR THE HEDGE TRIMMER

- **THIS TOOL CAN CAUSE SERIOUS INJURIES.** Read instructions carefully for the correct handling, preparation, maintenance, starting and stopping of the tool. Be familiar with all controls and proper use of the tool;
- **Warning!** Before operating the tools, carefully observe the instructions in this manual to reduce the risk of personal injury or material damage.
- Before operating the tool , make sure that you know how to switch the tool off in an emergency .
- Retain this manual for future reference .

- Do not expose the tool to rain or high humidity.
 - Only use the tool in daylight or good artificial light.
 - Never allow children to use the tool.
 - Avoid operating while people, especially children are nearby.
 - Beware of overhead power lines.
 - Dress properly! Do not wear loose clothing or jewellery which can be caught in moving parts. Use of sturdy gloves, non-skid footwear, and safety glasses is recommended. Always wear ear protection, goggle and helmet during operating;
 - If the tool stalls, immediately switch it off. Remove the battery before attempting to remove any obstructions.
 - Remove the battery before checking, maintenance or working on the tool;
 - While operating the tool be always sure of a safe and secure operating position especially when using steps or a ladder;
 - Do not attempt to repair the tool;
 - Do not operate the tool with a damaged or excessively worn cutting device;
 - Always ensure that all guards are fitted when using the tool. Never attempt to use an incomplete tool or a tool with unauthorized modifications;
 - Always use two hands to operate the tool;
 - When transporting or storing the tool always fit the blade sheath.
 - Always be aware of your surroundings and stay alert for possible hazards that you may not hear due to the noise of the tool;
 - Do not carry the tool with your hands on the switch unless the battery has been removed .
 - If you have not used a hedge trimmer before, preferably seek practical instruction by an experienced user in addition to studying this manual.
 - Never touch the blades while the tool is running .
 - Never attempt to force the blades to come to a standstill.
 - Do not put the tool down until the blade have come to a complete standstill .
 - Regularly check the blades for damage and wear . Do not use the machine when the blades are damaged.
 - Take care to avoid hard objects (e.g. metal wire, railings)when trimming. If accidentally hit any such hard objects, you should immediately switch the tool off and check for any damage.
 - If the tool start to vibrate abnormally, you should immediately switch it off and check for any damage.
 - Always be aware of falling debris when cutting the higher sides of a hedge.
 - Be aware of the cutting blade, always wear gloves to protect your hands from cut.
 - When the machine is working, the hand don't exceed guard (7) or come into contact with blade (9),
- See Fig 21
- When the machine is working, do not adjust the angle of the head

OVERVIEW (Fig.21)

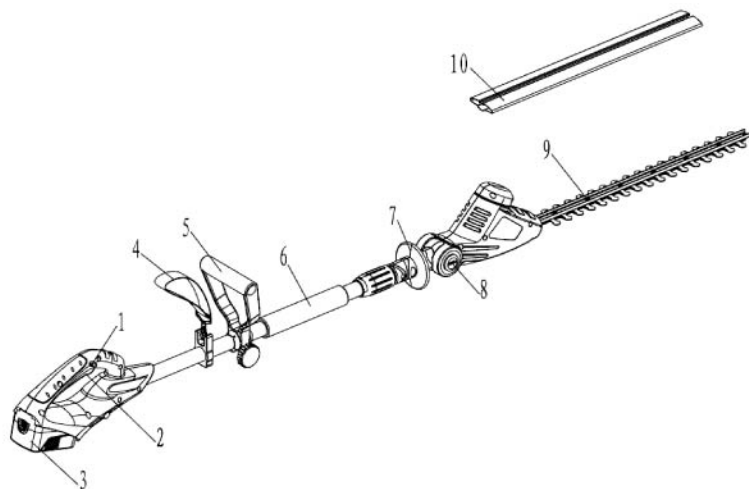


Fig.21

1. Lock-off button 2. On/off switch 3. Battery pack 4. Strap 5. Secondary handle
 6. Grip Area 7. Guard 8. lock button 9. Blade 10. Blade sheath

TRIMMER HEAD ASSEMBLY

Warning! Before assembly, remove the battery pack from the tool.

1. When inserted, the arrow 1 would have to target the arrow 2, and must be inserted fully. As shown in Fig 22

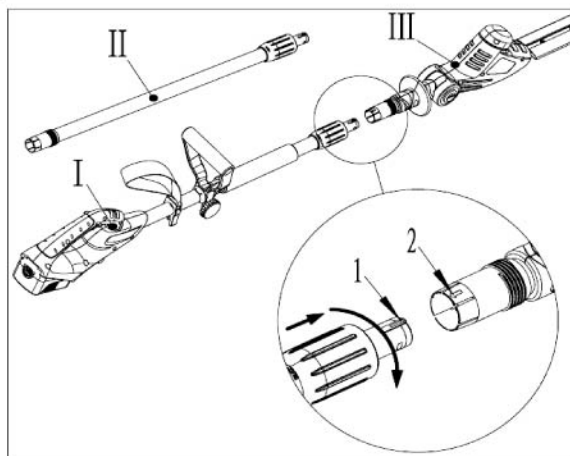


Fig.22

I . Handle assembly

II . Middle connecting pipe

III. Working part

2. Turn the locking knob in the "LOCK" direction.
(IMPORTANT: Must turn the locking knob tightly.).

Operation

Do not overload.

1. Turn the swivel handle to suitable position

- Push the lock button (8) and then turn the swivel handle to the desired position.
- Release the lock button (8) again and check whether the button is locked in place.

NOTE: The swivel handle can be locked in five positions (-60° 、 -30° 、 0° 、 30° 、 60°), See Fig. 23

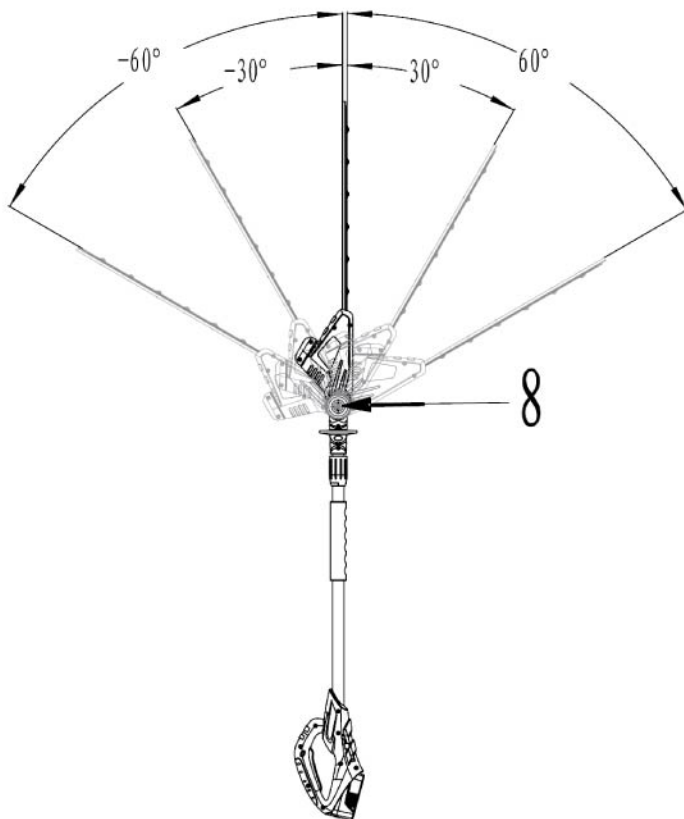


Fig.23

2. Remove the Blade sheath (10)

3. Switch on and Switch off, For your safety, always keep in mind how to switch on /off (See Fig. 2)

NOTE! Never attempt to lock the switch in the "on" position.

Replacement of blades

Replace blades when the blades are broken. Only use the replacement blades noted in this manual. This will maintain proper blades. Please follow below steps to replace the blades:

Step 1: Loosen and remove the 7 screws (1) (See Fig.24)

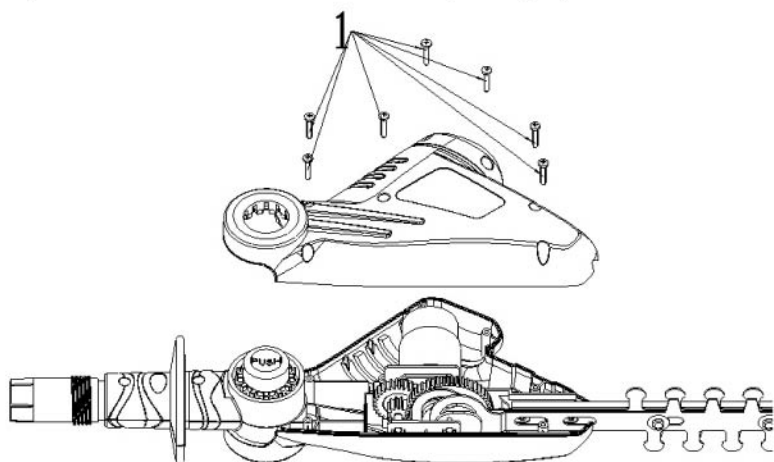


Fig. 24

Step 2: Loosen and remove the screws (2) (See Fig.25)

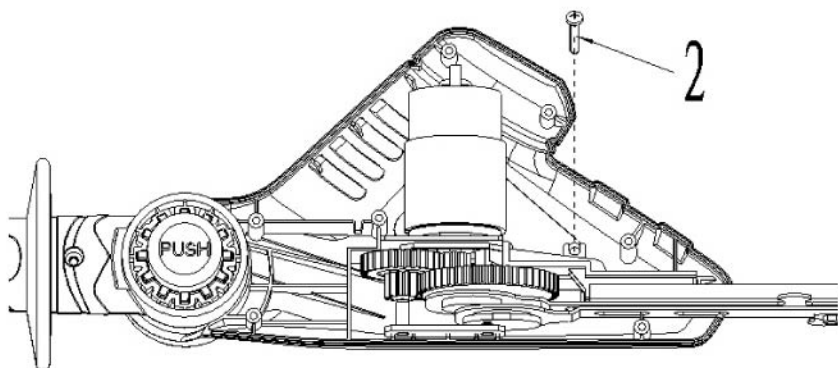


Fig.25

Step 3: Remove the screws and Orientation board (3) (See Fig.26), and then rotate the Cam flake 4 to the correct location parallel with the blade slot. Now you can remove the blades.

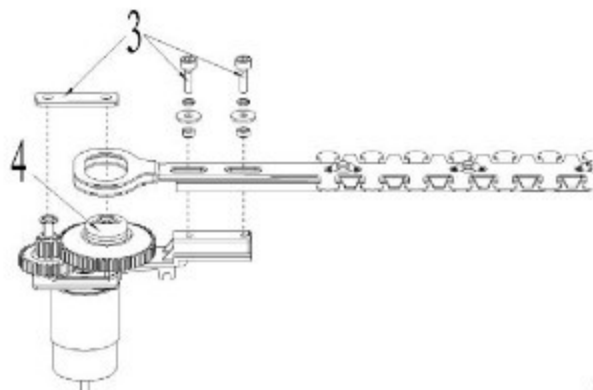


Fig.26

Step 4: Replace with new blades, and then reassembled in accordance with the above methods.

MAINTENANCE

Your tool has been designed to operate over a long period of time with a minimum of maintenance. Continuous satisfactory operation depends upon proper tool care and regular cleaning. Your charger does require any maintenance apart from regular cleaning.

1. Before performing any maintenance on the tool, remove the battery from the tool. Unplug the charger before cleaning it.
2. After use, carefully clean the blades.
3. After cleaning, apply a film of light machine oil to prevent the blades from rusting.
4. Regularly clean the ventilation slots in your tool and charger using a soft brush or dry cloth.
5. Regularly clean the motor housing using a damp cloth. Do not use any abrasive or solvent-based cleaner.

DISPOSAL:

The packaging material is reusable. Rid yourself of the packaging in an environmentally friendly way and put it in the collection of recyclable materials.



Dispose of the product and the batteries in view of the environment if you want to separate. The device and the batteries should not be thrown into the household garbage. Bring them to the recycling center for the used electrical and electronic devices. You can consult to the local government for more information. Remove the batteries first.

Eurotops Versand GmbH
Elisabeth-Selbert-Straße 3
40764 Langenfeld, Germany

EURO
tops

If technical support is needed, please call ...

in Germany	0180 . 530 63 63* or info@eurotops.de
in Austria	01 . 230 60 43 12 or info@eurotops.at
in Switzerland	044 . 28 36 125 or info@eurotops.ch
in the Netherlands	026 . 37 36 333 or info@eurotops.nl
in France	0892 . 700 470** or info@eurotops.fr

* 14 Cents/minute via German landline, max. 42 cents/minute via mobile phone network

**34 Cents/minute via French landline

A possible return of products should be addressed to the return address stated on your invoice.

The manual only reflects the technical conditions available under printing. Any changes in technology and equipment are reserved.

© 05.09.2012