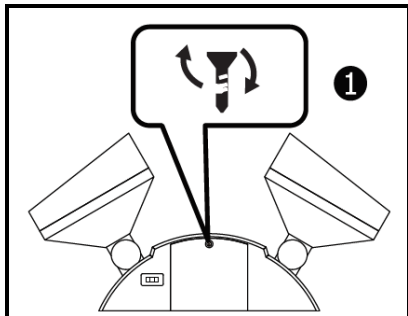
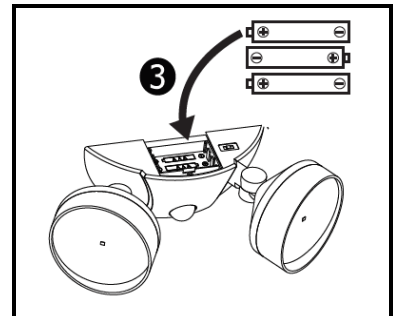
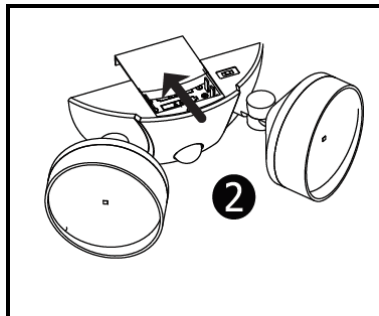


INSTRUCTION MANUAL

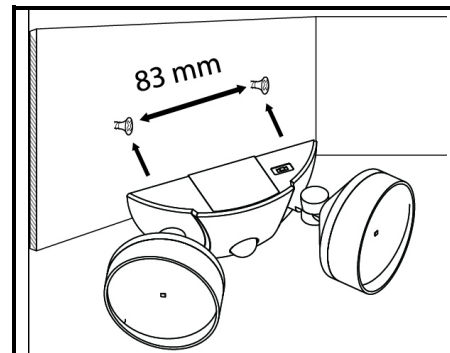
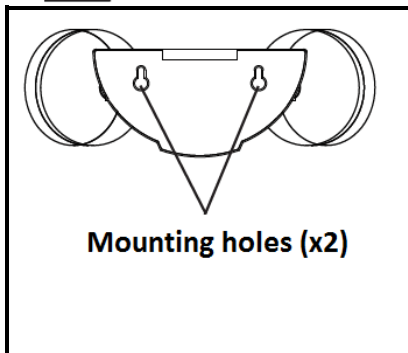
I. BATTERY INSTALLATION



Remove the screw on battery compartment cover, on back of fixture.



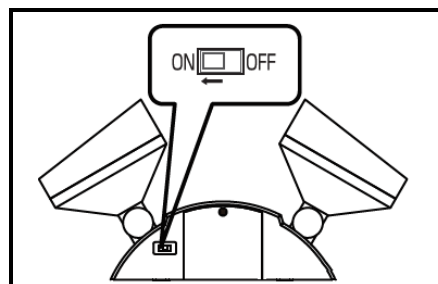
II. MOUNTING INSTRUCTIONS

Accessories included:**Note:**

- Sensor detects motion best if fixture is installed in an area where people will walk across fixture and not towards it.
- When selecting the location, make sure that there is no obstacles such as a wall in front of the sensor otherwise it couldn't detect the movements.

III. OPERATING INSTRUCTIONS

1. Adjust each spotlight head to illuminate the desired location.
2. Push ON/ OFF button to ON position.
3. Light will turn on automatically at night when motion is detected and stay on for approximately 40 seconds if there is no longer any movement.



IV. SPECIFICATIONS

- Battery: 3xAAA/LR03 alkaline battery, 1.5V, not included
- LED power: 0.5W each (x2)
- Detection range: 5 meters
- Double sensor: PIR and dark sensors

V. WARNINGS

- DO NOT shine light directly into eyes.
- DO NOT disassemble the product.
- Never immerse the appliance in water or any other liquid.
- This is not a toy. Keep away from children.

VI. WARNING ON BATTERY

- Never mix alkaline, standard (carbon-zinc) and rechargeable (nickel hydride).
- Don't mix new and used batteries.
- Don't attempt to recharge non rechargeable batteries.
- Remove rechargeable batteries from the device (if possible) before charging them.
- Rechargeable batteries must always be recharged under adult supervision.
- Remove used batteries.
- Never short the power supply terminals.
- Always use the recommended or equivalent battery types.
- Always pay attention to battery polarity.

VII. CARE AND MAINTENANCE

- Turn the unit off and let it cool before cleaning it.
- Use a soft and slightly damp cloth.
- Do not use chemicals or abrasive detergents for cleaning.



WARNING: You should not dispose of this device with your household waste. A selective collection system for this type of product is implemented by your local authorities. Please contact your local authorities to find out how and where collection takes place. These restrictions apply because electrical and electronic devices contain dangerous substances that have harmful effects on the environment or on human health and must be recycled.

This symbol indicates that electrical and electronic devices are collected selectively. The symbol shows a waste container crossed out with an X symbol.



Geïmporteerd door PRODIS SAS, 1 rue de Rome, 93110 Rosny-sous-Bois, France/ Gemaakt in de V.R.C.

Marketed by EUROtops Versand GmbH, Elisabeth-Selbert-Str. 3 D-40764, LANGENFELD, Germany