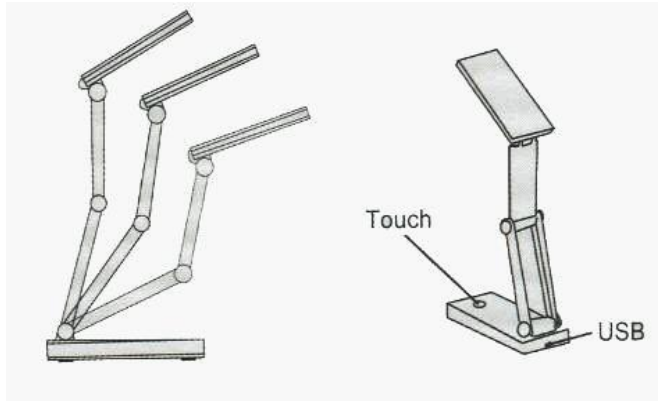


Foldable LED Light

Art. No. : 27975

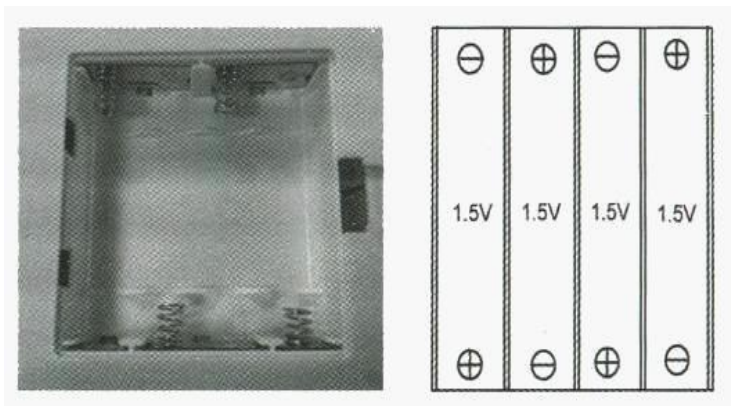
Instruction Manual



Description :

- Adjustable lamp head with 24 bright LEDs
- Brightness: 12LM
- Touch sensor switch for 3 brightness: 30% on, 50% on and 100% on
- Foldable design, save place and good for travelling
- Powered by 4 x AA battery (not included) or USB cable (included)
- Material: ABS
- Extended size: L12.8 x W7.2 x H32 cm
- Folded size: L12.8 x W7.2 x H5 cm
- Weight: 185g

Battery Assembling



Open the battery cover and install 4pcs 1.5V AA batteries (not included) according to the +/- polarity as indication inside as above image.

WARNING!

- Do not clean any part of the product with benzene, thinner or other solvent chemicals. When necessary, clean it with a soft cloth.
- Never immerse the product in water. This will damage the product.
- Do not subject the product to extreme force, shock, or fluctuations in temperature or humidity.
- Do not tamper with the internal components.
- Do not mix new and old batteries or batteries of different types.
- Do not mix alkaline, standard or rechargeable batteries with this product.
- Remove the batteries if storing this product for a long period of time.
- Do not dispose this product as unsorted municipal waste. Collection of such waste separately for special treatment is necessary.

DISPOSAL:

The packaging material is reusable. Dispose of the packaging in an environmentally friendly way by putting it in the appropriate recyclable waste collection containers.



Dispose of the product and the batteries in view of the environment if you want to separate. The device and the batteries must not be thrown in with domestic waste. Take them to a recycling center for used electrical and electronic devices. For more information you can consult your local government. Remove batteries first.

Eurotops Versand GmbH
Elisabeth-Selbert-Straße 3
40764 Langenfeld, Germany



If technical support is needed, please call ...

in Germany 0180 . 530 63 63* or info@eurotops.de

in Austria 01 . 230 60 43 12 or info@eurotops.at

in Switzerland 044 . 28 36 125 or info@eurotops.ch

in the Netherlands 026 . 37 36 333 or info@eurotops.nl

in France 0892 . 700 470** or info@eurotops.fr

* 14 Cents/minute via German landline, max. 42 cents/minute via mobile phone network

**34 Cents/minute via French landline

A possible return of products should be addressed to the return address stated on your invoice.

The manual only reflects the technical conditions available under printing. Any changes in technology and equipment are reserved.

© 15.07.2016