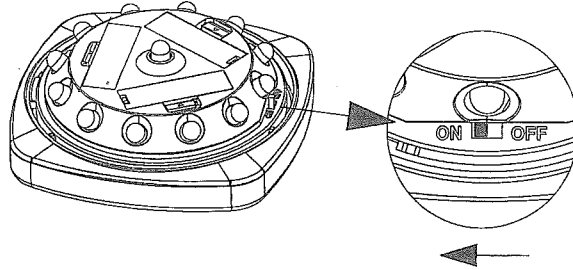


24456

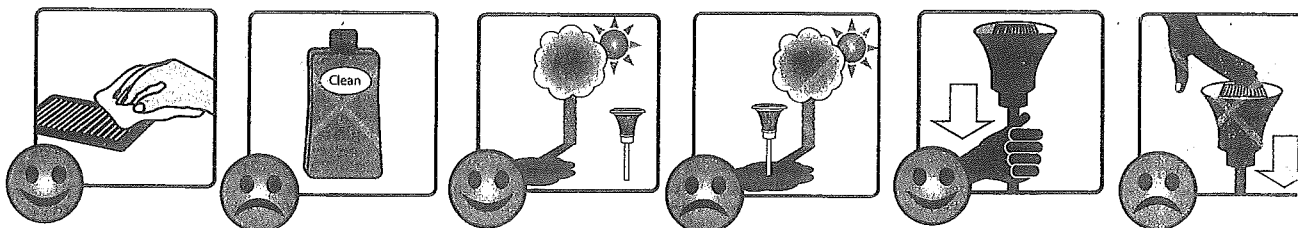
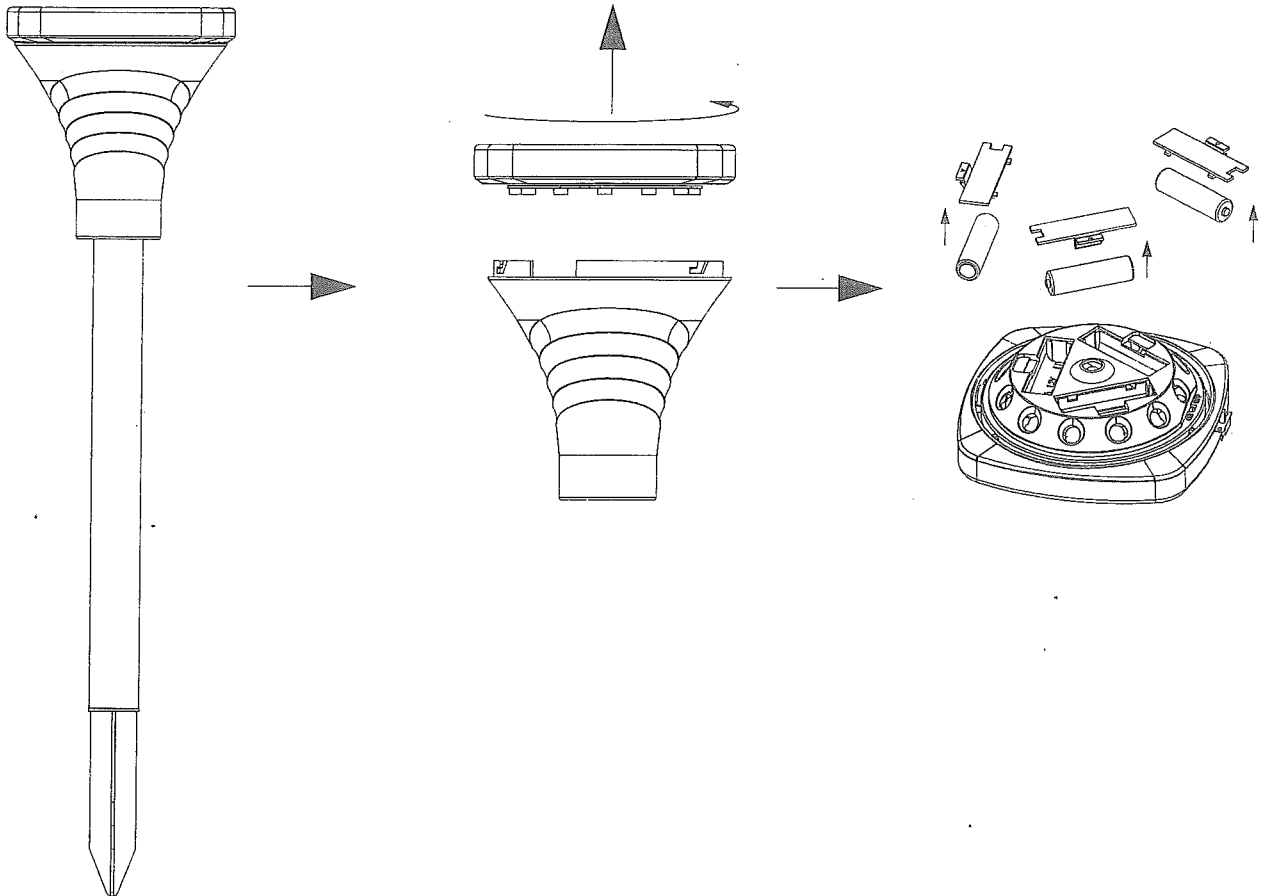
Art no 479-20

FIRST USE

STEP 1



BATTERY REPLACEMENT



STEP 2

36h

