

Fountain "Wooden Barrel" with Flower Bowl
Cat. No.: 23866

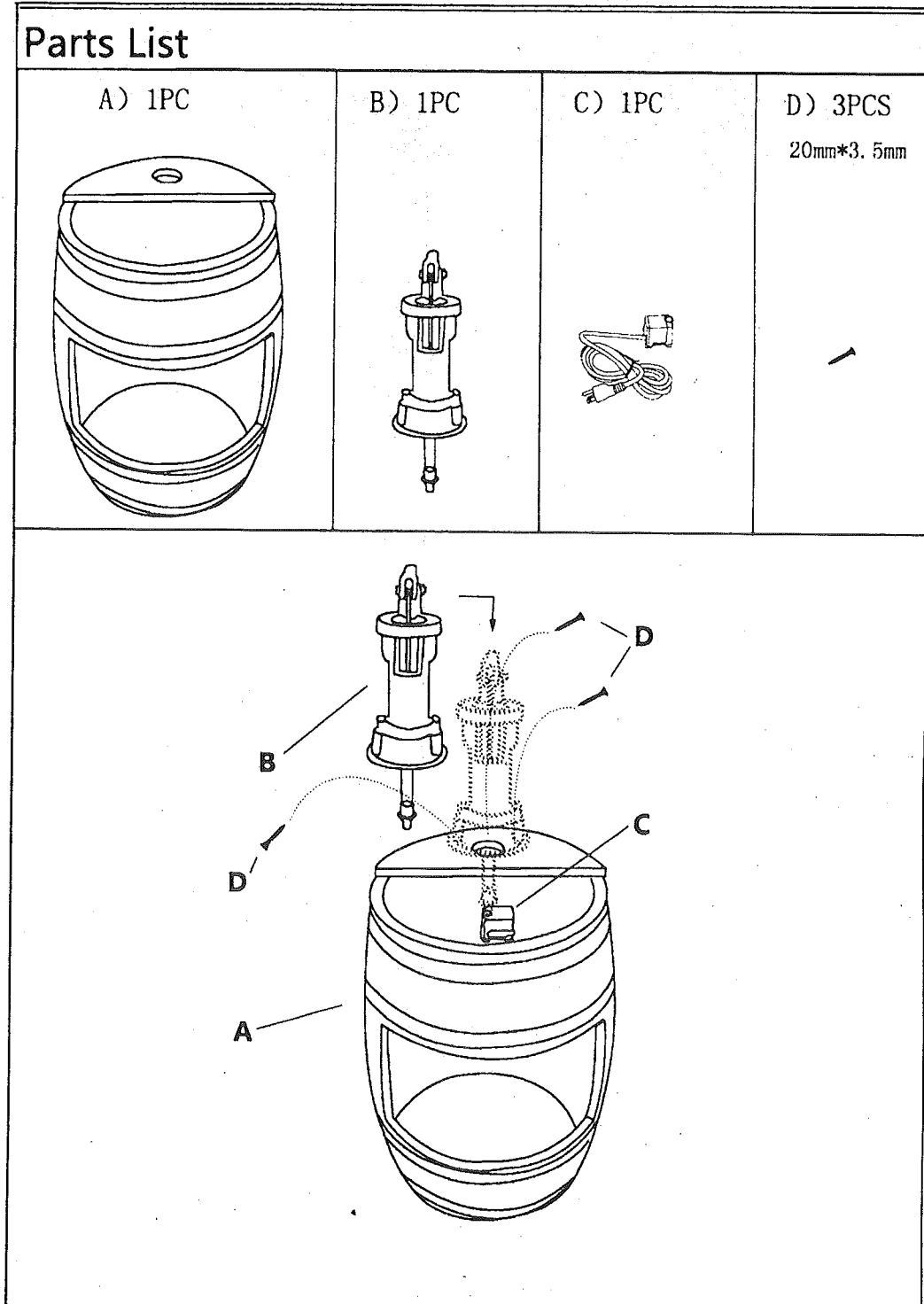
Instruction Manual



Please read all instructions carefully before assembly and use.

UNPACKING AND ASSEMBLY

Unpack all parts from the package to ensure there are no parts missing or damaged. Following the below diagram to assembly the product.



Note: The shown diagram is for illustrative purposes only.

WARNING

- Do not exceed the voltage shown on the pump, use a proper power supply as indicated on the pump label.
- Do not pump flammable liquids.
- To reduce the risk of electrical shock, use the pump only on portable self-contained fountains no larger than 5 feet in any dimension.
- Do not use with water above 35°C (95°F).
- The pump is to be supplied through a residual current device(RCD) with a rated residual operating current not exceeding 30mA

CAUTION

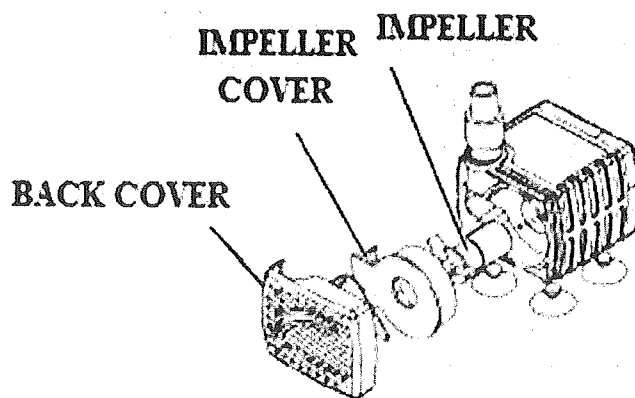
- Always disconnect from electrical outlet before handling the pump.
- Don't operate the pump without water.
- Do not lift the pump by the power cord.
- The pump must be fully submerged in the water to operate properly and to prevent the pump overheating.
- This pump has been evaluated for use with water only.

MAINTENANCE

NOTE: Always disconnect from electrical outlet before handling the pump.

For the pump:

- To clean the pump; remove the back cover and the impeller.
- Use a small brush or water jet to remove any debris



IF THE PUMP FAILS TO OPERATE, CHECK THE FOLLOWING:

- Check the circuit breaker and try another outlet to ensure the pump is getting proper power supply
- Check the pump discharge and tubing for any kinks and obstructions. Algae build up can be flushed out with a garden hose.
- Check the inlet to ensure it is not clogged with debris.

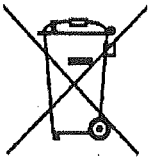
- Remove the pump inlet to access the impeller area. Turn the rotor to ensure it is not broken or jammed.
- Monthly maintenance will ensure a better working lift of the pump

For the wood:

- In order to keep the wood in good condition and for longer life, please regularly maintain the wood with wood oil or wood stain.

DISPOSAL:

The packaging material is reusable. Dispose of the packaging in an environmentally friendly way by putting it in the appropriate recyclable waste collection containers.



Dispose of the product and the batteries in view of the environment if you want to separate. The device and the batteries must not be thrown in with domestic waste. Take them to a recycling center for used electrical and electronic devices. For more information you can consult your local government. Remove batteries first.

Eurotops Versand GmbH
 Elisabeth-Selbert-Straße 3
 40764 Langenfeld, Germany



If technical support is needed, please call ...

in Germany 0180 . 530 63 63* or info@eurotops.de
 in Austria 01 . 230 60 43 12 or info@eurotops.at
 in Switzerland 044 . 28 36 125 or info@eurotops.ch
 in the Netherlands 026 . 37 36 333 or info@eurotops.nl
 in France 0892 . 700 470** or info@eurotops.fr

* 14 Cents/minute via German landline, max. 42 cents/minute via mobile phone network

**34 Cents/minute via French landline

A possible return of products should be addressed to the return address stated on your invoice.

The manual only reflects the technical conditions available under printing. Any changes in technology and equipment are reserved.

© 06.01.2014