

GARDEN WATERING GUN (CAT. NO.: 20332) USER MANUAL

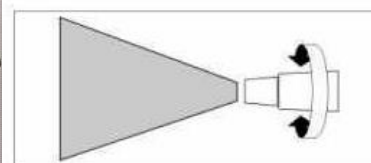
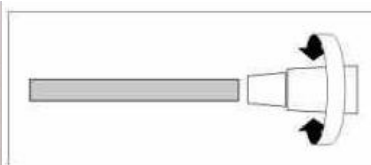
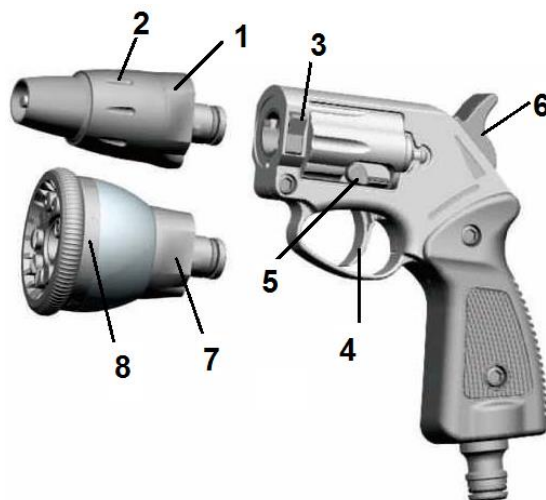
BEFORE FIRST USE

Unpack the garden watering gun and check all parts for any damage in transit. The garden watering gun will be delivered with two watering attachments.

ASSEMBLY AND USING

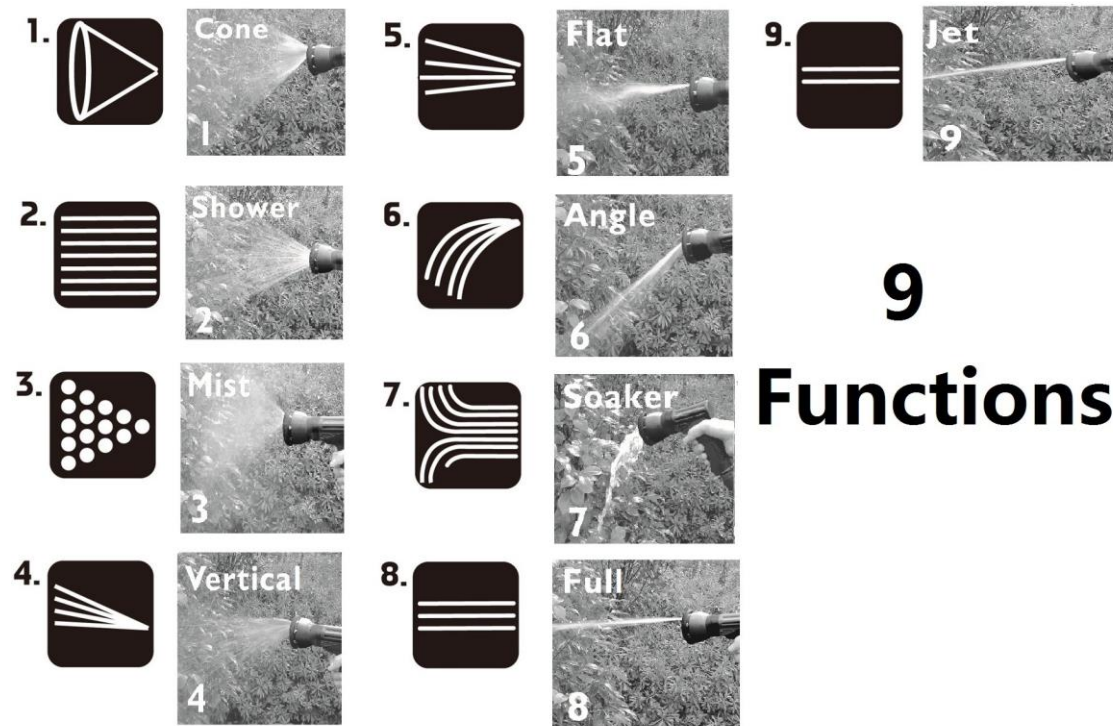
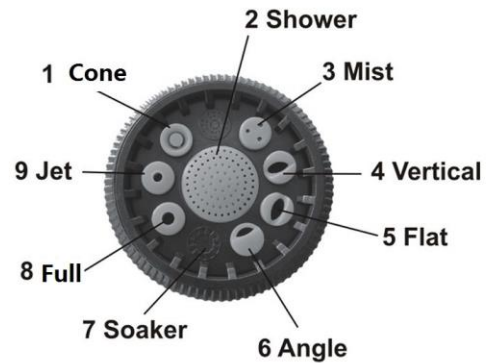
Using the 2-function Attachment

1. For using the 2-function attachment (1), first press the release button (3) and insert the attachment into the gun. Let off the release button.
2. Turn the attachment slightly counter clockwise in order to lock in place.
3. For removing and changing the attachment, first press the release button (3) and pull out the attachment straight from the gun.
4. Connect the water hose to the gun, open the water tap and press the trigger (4) down for watering the desired surface. In order not to keep the trigger (4) continuously pressed; push the trigger lock (5) down. For unlocking the trigger, slide the trigger lock upwards.
5. For adjusting the water pressure, just lift up or push down the water pressure lever (6).
6. For adjusting the water jet on the 2-function attachment turn the rubberized sleeve (2) clockwise or counter clockwise.



Using the 9-Function Watering Attachment

1. For assembling and using the multi-function watering attachment (7) proceed in the same way as mentioned in the previous chapter.
2. For adjusting the spray jet turn the rubberized sleeve (8) clockwise or counter clockwise until the desired icon matches the marking on the housing.
3. 9 Spray functions: Cone-Shower-Mist –Vertical–Flat-Angle-Soaker-Full-Jet



CLEANING AND STORING

- Do not clean the housing with aggressive cleaners or water jet but only use a dry or moistened cloth.
- Store the garden watering gun while not in use in a frost-free place.
- Keep the watering gun out of reach of children.

DISPOSAL

The packaging material is reusable. Dispose of the packaging in an environmentally friendly way by putting it in the appropriate recyclable waste collection containers.

Eurotops Versand GmbH
Elisabeth-Selbert-Straße 3
40764 Langenfeld, Germany



If technical support is needed, please call ...

in Germany	0180 . 530 63 63* or info@eurotops.de
in Austria	01 . 230 60 43 12 or info@eurotops.at
in Switzerland	044 . 28 36 125 or info@eurotops.ch
in the Netherlands	026 . 37 36 333 or info@eurotops.nl
in France	0892 . 700 470** or info@eurotops.fr

* 14 Cents/minute via German landline, max. 42 cents/minute via mobile phone network.

**34 Cents/minute via French landline

A possible return of products should be addressed to the return address stated on your invoice.

The manual only reflects the technical conditions available under printing. Any changes in technology and equipment are reserved.

© 17.09.2013